

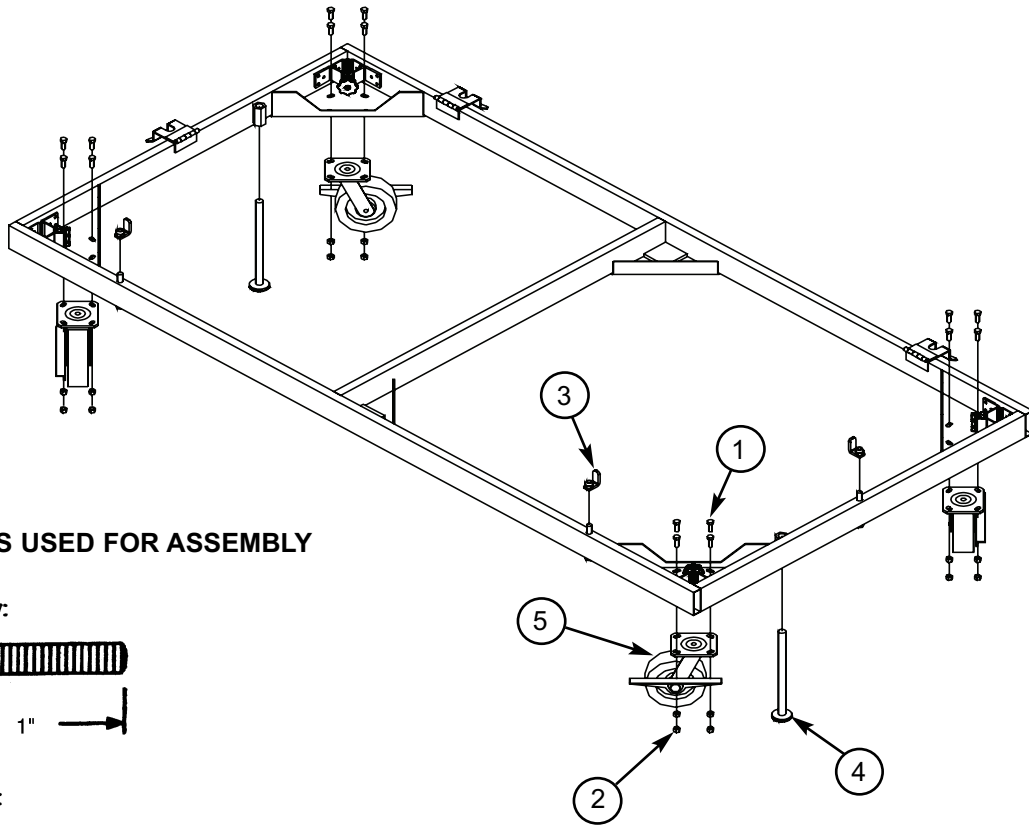
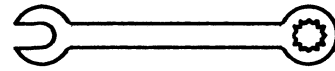
BEFORE YOU BEGIN

Remove all items from the shipping carton. Refer to the illustration below.

Remove all items from the hardware bag, and determine where all fasteners will be used.

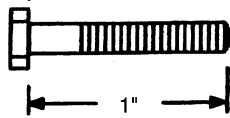
TOOLS REQUIRED

- Two 9/16" open-end or socket wrenches



FASTENERS USED FOR ASSEMBLY

- ① Capscrew:



- ② Lock Nut:



REPLACEMENT PARTS

Item	Qty.	Description
1	16	Capscrew, 3/8-16 X 1
2	16	Nut, Lock, 3/8-16
3	3	Threaded Handle
4	2	Leveler
5	4	Casters