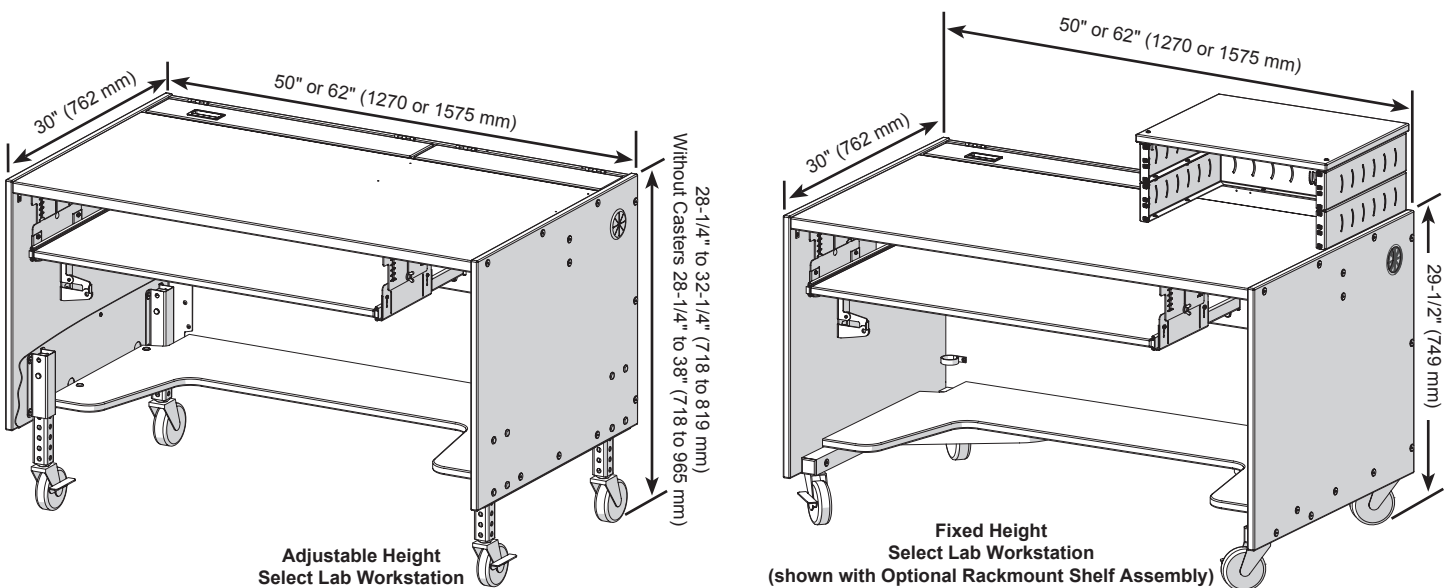


Select Lab Workstation

- 225D110. __ Fixed Height 50" model weighs 160 lbs (73 kg), 62" model weighs 180 lbs (82 kg).
 - 225D111. __ Adjustable Height 50" model weighs 180 lbs (82 kg), 62" model weighs 195 lbs (88 kg).
 - 225D121. __ Adjustable Height model without Casters 50" model weighs 158 lbs (72 kg), 62" model weighs 175 lbs (79 kg).
- Weights are with no added accessories.
Weight will vary depending on desk width and added accessories.
- Workstations are available in 50" or 62" (1270 or 1575 mm) wide x 30" (762 mm) deep.
Desk surface is 48" or 60" (1219 or 1524 mm) wide.
Fixed Height Model desk height is 29-1/2" (749 mm)
Adjustable Height Model desk height can be between 28-1/4" to 32-1/4" (718 to 820 mm).
Adjustable Height Model without Casters desk height can be between 28-1/4" to 38" (718 to 965 mm).
 - Pull-out keyboard tray on 50" models is 35-3/4" wide x 15-3/4" deep (908 x 400 mm)
Pull-out keyboard tray on 62" models is 47-3/4" wide x 15-3/4" deep (1213 x 400 mm)
Adjustable spacing in 1/2" (13 mm) increments to fit piano keyboards at 5" (127 mm) height
or computer keyboards at 2-1/2" (64 mm) height.
 - Fits through standard 32" (813 mm) doorways.
 - Workstations are constructed of 3/4" (19 mm) thick industrial grade composite wood with no added formaldehyde and polyester laminate finish.
Desktop is constructed of 1-1/8" (29 mm) thick industrial grade composite wood with no added formaldehyde.
Desktop and shelves are Graphite color laminate finish.
Workstation sides and back are available in Wenger standard colors.
 - Bottom shelf is optional in fixed height only, adjustable height always includes a bottom shelf.
 - Legs are constructed of heavy-duty steel tubes.
All metal parts finished with black powder-coated paint finish.
 - Four swivel 4" (102 mm) diameter rubber casters, two locking.
 - Edging is 1/8" (3 mm) radiused PVC.
 - Wiring access on top of desk. Flip up compartment allows access to a wireway channel for mounting and organizing cords and powerstrips. Cords are held in place with included clips.
 - Grommets are included in the sides and back (three total) for easier cord management.
 - Includes headphone holder with ability to lock in place with padlock.
Accommodates padlock with a 5/16" (8 mm) diameter shackle and up to 3/4" (19 mm) tall. Padlock is not included.
Headphone can be mounted on right or left side of keyboard pullout.
Accommodates maximum headband size of 2" wide x 1/2" thick (51 x 13 mm).
 - UL GREENGUARD Certified - Product certified for low chemical emissions: ul.com/gg - UL 2818.
 - Environmental attributes and LEED compliance for this product can be found at www.wengercorp.com/GREEN or by contacting your Wenger representative.
 - Shipped ready to assemble.
 - Ten-year warranty.



Accessories

Rackmount Shelf

- 225D227
- Flip up shelf to access rackmount components.
- Rackmount stackable in two unit increments.
- Rackmount power strip can be included.

Acrylic Music Holder

- 222A151 2.5 lbs (1 kg).
- 20" wide x 11-1/2" high (508 x 292 mm).

Six Unit Power Strip

- 256A013 5 lbs (2 kg).
- Six outlets, 15 amps, 120VAC, UL listed, 10' cord.

Eight Unit Power Strip

- 225D242 5 lbs (2 kg).
- Eight outlets, 15 amps, 120VAC.
- Remote power switch on a 6' cord with sound dampening and surge protection.

Verifying dimensions for fit of equipment

Note: To determine what size desktop is needed and whether the equipment will fit, lay out equipment as it would be for use. Measure the width and depth. Compare to the width and depth of the desktop.

Piano keyboards can be placed on the pullout shelf, however the maximum height for the keyboard is 5" (127 mm). The pullout shelf depth is 15-3/4" (400 mm), the width is either 35-3/4" (908 mm) on a 50" desktop or 47-3/4" (1213 mm) on a 62" desktop.

The pullout shelf is adjustable in heights of 1/2" (13 mm) increments.

The adjustable height model is recommended if placing a piano keyboard on the pullout shelf.

At the lowest position on the fixed height model, the clearance may not be sufficient for most students.

Wenger

JRCLANCY

GEARBOSS

© 2017 Wenger Corporation
USA/2017-12/W



| | |
|---------------------------|---|
| WENGER CORPORATION | Phone 800.4WENGER (493-6437) Worldwide +1.507.455.4100 Fax 507.455.4258 Worldwide +1.507.774.8576 Parts & Service 800.887.7145 Canada Office 800.268.0148 Web wengercorp.com 555 Park Drive, PO Box 448 Owatonna MN 55060-0448 |
| JR CLANCY | Phone 800.836.1885 Worldwide +1.315.451.3440 Fax 877.836.1885 Worldwide +1.315.451.1766 Web jrclancy.com 7041 Interstate Island Road Syracuse NY 13209-9713 |
| GEARBOSS | Phone 800.493.6437 email gearboss@wengercorp.com Web gearboss.com 555 Park Drive, PO Box 448 Owatonna MN 55060-0448 |