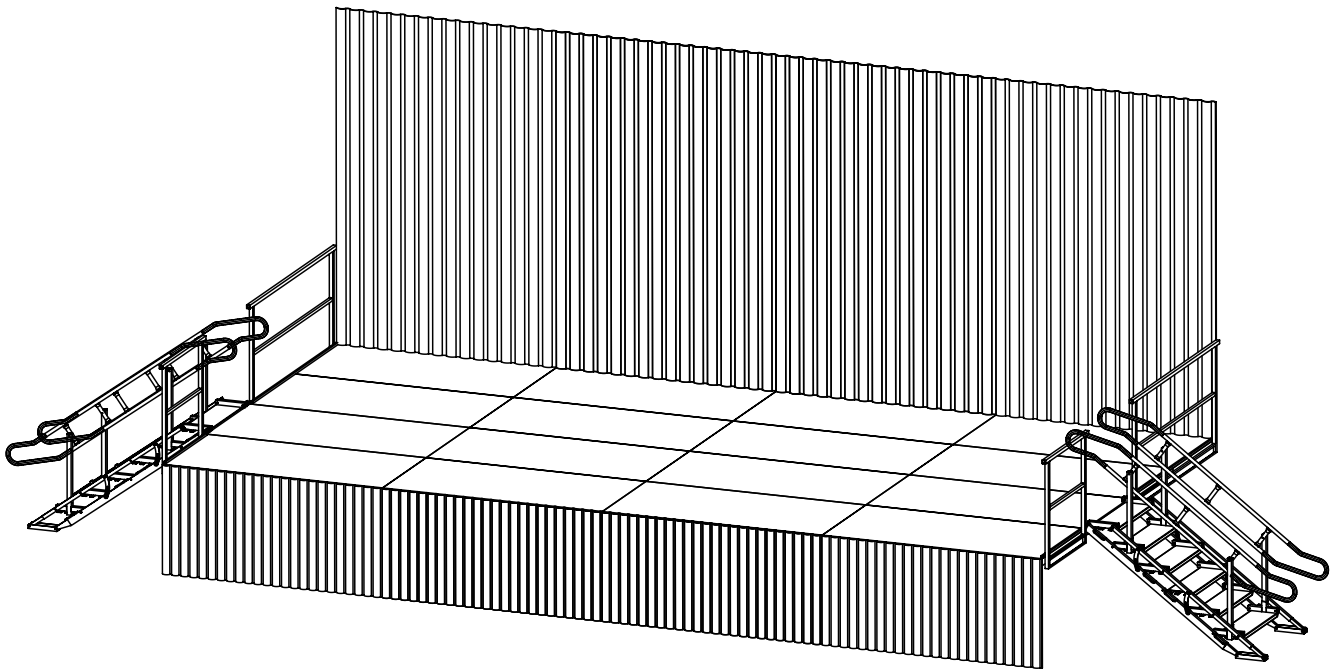


Showmaster™ Staging

System Description

- Portable platform system comprised of a series of interlocking decks with integral legs to create a single height platform area with infinite height ranges 30" to 56" (762 to 1422 mm) and 48" to 88" (1219 to 235 mm).
- Assembly and takedown of units is accomplished without the use of special tools.
- Units have structural member connectors which provide support from one unit to another.
- Stage units are provided with four or two legs as required for assembly.
The unit to unit connectors are designed to be a quick connect and disconnect.
They can be positioned at any location around the perimeter of the unit.
- Environmental attributes and LEED compliance for these products can be found at www.wengercorp.com/GREEN or by contacting your Wenger representative.



Typical Showmaster Platform System

Stage Units

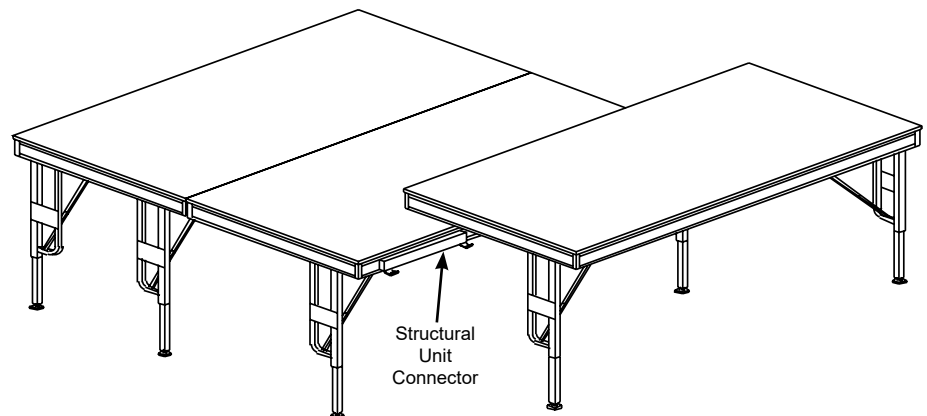
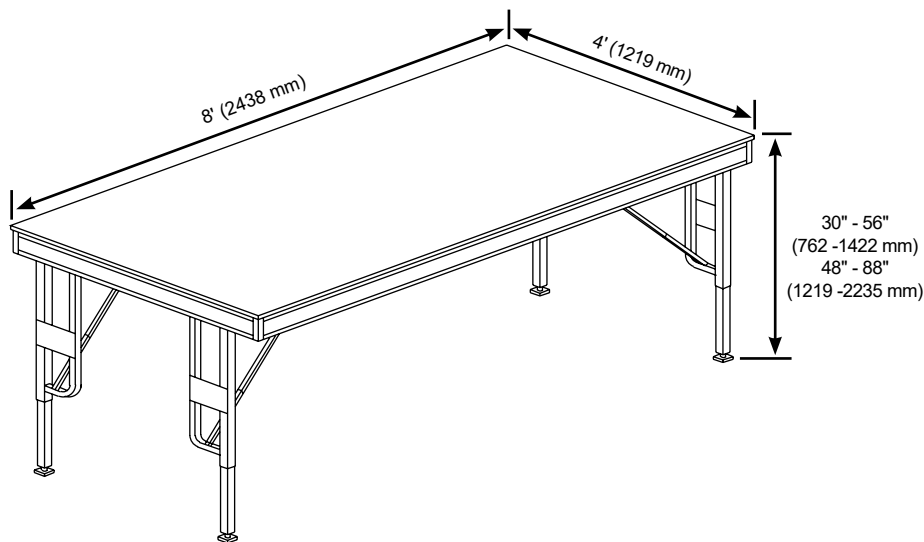
- Decks are available in 4' x 8' (1219 x 2438 mm).
- Deck weights:
 - 1/2" (13 mm) Top, Four Leg 30" - 56" (762 - 1422 mm) Elev, 202 lb (91 kg)
 - 1/2" (13 mm) Top, Two Leg 30" - 56" (762 - 1422 mm) Elev, 169 lb (76 kg)
 - 3/4" (19 mm) Top, Four Leg 30" - 56" (762 - 1422 mm) Elev, 220 lb (98 kg)
 - 3/4" (19 mm) Top, Two Leg 30" - 56" (762 - 1422 mm) Elev, 187 lb (84 kg)
 - 1/2" (13 mm) Top, Four Leg 48" - 88" (1219 - 2235 mm) Elev, 228 lb (102 kg)
 - 1/2" (13 mm) Top, Two Leg 48" - 88" (1219 - 2235 mm) Elev, 180 lb (81 kg)
 - 3/4" (19 mm) Top, Four Leg 48" - 88" (1219 - 2235 mm) Elev, 246 lb (110 kg)
 - 3/4" (19 mm) Top, Two Leg 48" - 88" (1219 - 2235 mm) Elev, 200 lb (90 kg).
- Surface options:

All decks are 1/2" or 3/4" (13 or 19 mm) overall thickness using exterior grade plywood core.
Outer surface is available in 1/8" (3 mm) thick smooth tempered hardboard or textured black poly and textured grey poly options.
- Frame and edging are fabricated from formed steel.

Both frame and edging are welded into a one piece unitized assembly.
Frame finish is bright zinc or black powder coat paint.
Frame thickness is 4-9/16" (116 mm) with a 1/2" (13 mm) thick unit top and 4-13/16" (122 mm) with a 3/4" (19 mm) thick unit top.
- Legs are constructed of steel tubing and have an inner telescoping leg slide.
- Leg slides are provided with two height adjustments:

one for 4" (102 mm) increments for gross adjustments, the other is a screw-type for fine adjustment.
- Legs fold within the frame dimensions and are an integral part of each stage unit.

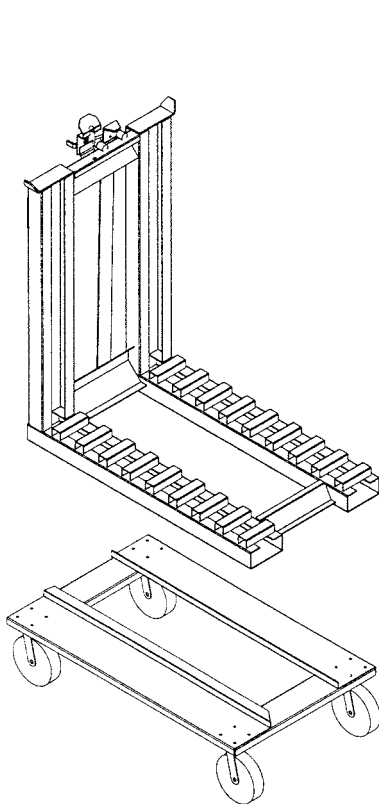
The leg and slide finish are zinc plate.
- Leg stabilizers are required to provide additional stability when the height of the stage is set above 56" (1422 mm).



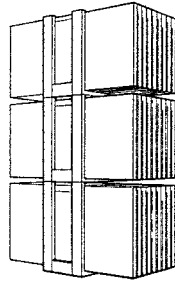
Accessories

Storage System for Stage Units

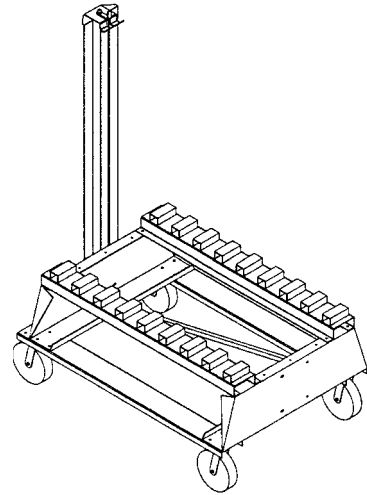
- 9-Unit castered truck ideal for space efficient storage of rectangular units (double door required)
- 9-Unit stacking storage truck ideal for facilities that have limited storage space and can stack the units to better utilize available height. A caster base is available to accept one stacking storage truck. This allows for the stacking truck to be converted into a castered truck for transporting and set-up of the stage units.
- Storage truck for back/rail system: Each storage truck has a capacity of holding 96 linear feet (29.3 m) of back/side rails in combinations of 4' (1219 mm) and 8' (2438 mm) sections. The truck holds twelve sections of 8' (2438 mm) rail or twenty-four sections of 4' (1219 mm) rail. Rail truck dimensions are 2' 4" wide x 8' 4" long x 5' 9" height (711 x 2540 x 1753 mm).
- Storage truck for drapery: Each storage truck has a capacity for holding twenty sections of 4' (1219 mm) or 8' (2438 mm) sections. The capacity with all 8' (2438 mm) sections is 160 linear feet (48.8 m). Drapery truck dimensions are 2' 4" wide x 8'-0" long x 7'-0" (711 x 2438 x 2134 mm) adjustable height.



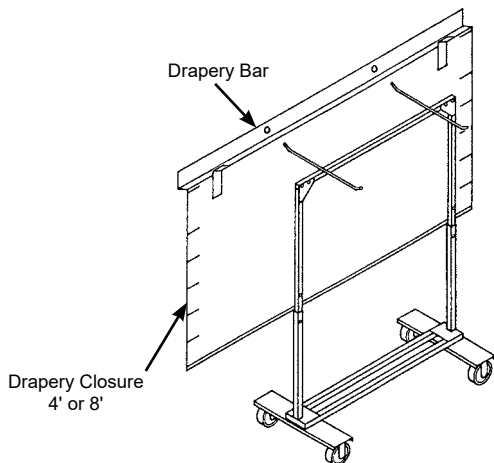
Stacking Move and Store Cart with optional castered base



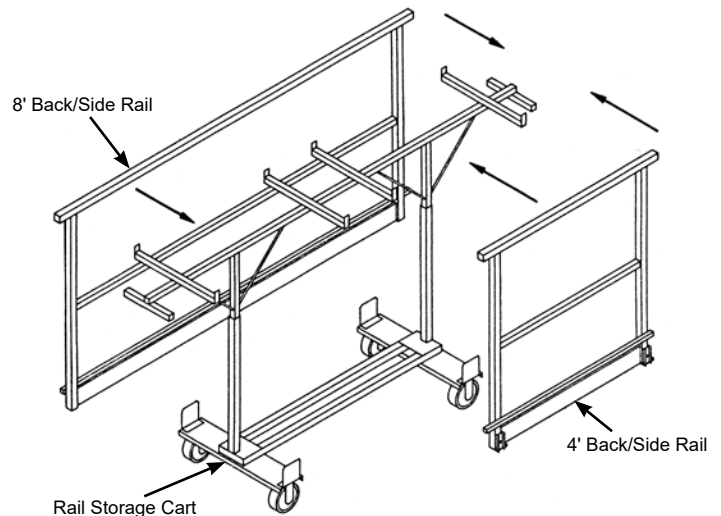
Fully-Loaded Carts Stacked Three-High



Non-Stacking Move and Store Cart



Drapery Truck

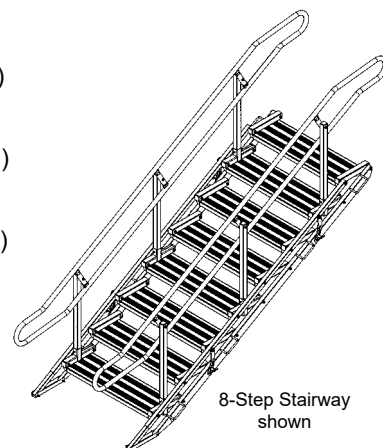


Rail Truck

Accessories (continued)

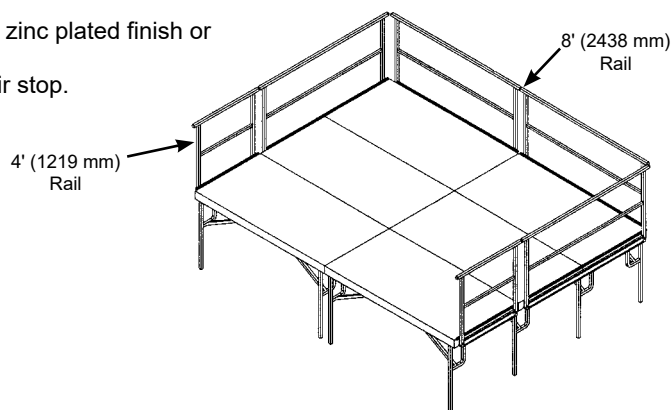
Stairways

- 6-step adjustable height stairway for stage heights 24" to 48" (610 to 1219 mm) 244 lb (111 kg)
181A257 Assembled
181A016 Ready to assemble.
- 8-step adjustable height stairway (or stage heights 32" to 64" (813 to 1626 mm) 310 lb (141 kg)
181A258 Assembled
181A018 Ready to assemble.
- 9-step adjustable height stairway for stage heights 36" to 72" (914 to 1829 mm) 349 lb (158 kg)
181A020 Ready to assemble only.



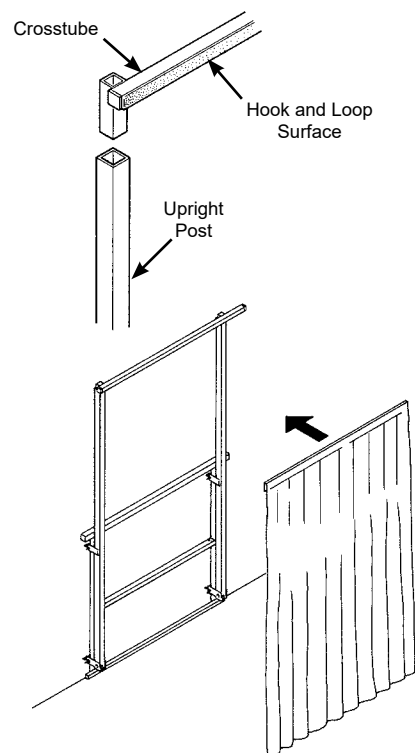
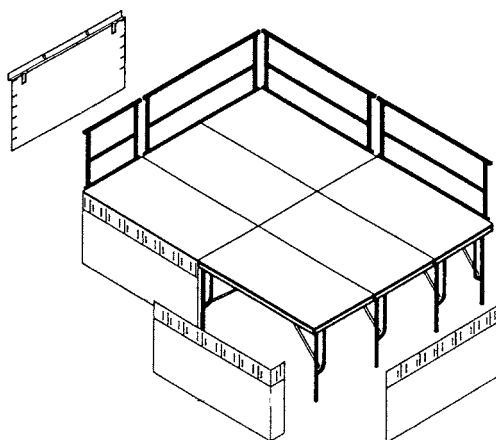
Rails

- Railings are 42" (1067 mm) high with a zinc plated finish or a black powder paint finish.
- Railings incorporate a permanent chair stop.



Draperies and Backdrop

- Drapery closures are available in heights to match the staging elevations.
- Drapery is available in a wide variety of colors.
- 100% fire retardant woven polyester.
- Drapery attaches with hook and loop fastening system.
- Backdrop frame attaches to guardrails for safety.
When installed backdrop is 8' (2438 mm) above the stage.
Available in 4' (1219 mm), 6' (1829 mm), and 8' (2438 mm) widths.



Wenger®

JRCLANCY

GEARBOSS®

© 2018 Wenger Corporation
USA/2018-09/W



WENGER CORPORATION

Phone 800.4WENGER (493-6437) Worldwide +1.507.455.4100 | Parts & Service 800.887.7145 | Canada Office 800.268.0148 | wengercorp.com
555 Park Drive, PO Box 448 | Owatonna MN 55060-0448

JR CLANCY

Phone 800.836.1885 Worldwide +1.315.451.3440 | jrclancy.com | 7041 Interstate Island Road | Syracuse NY 13209-9713

GEARBOSS

Phone 800.493.6437 | email gearboss@wengercorp.com | gearboss.com | 555 Park Drive, PO Box 448 | Owatonna MN 55060-0448