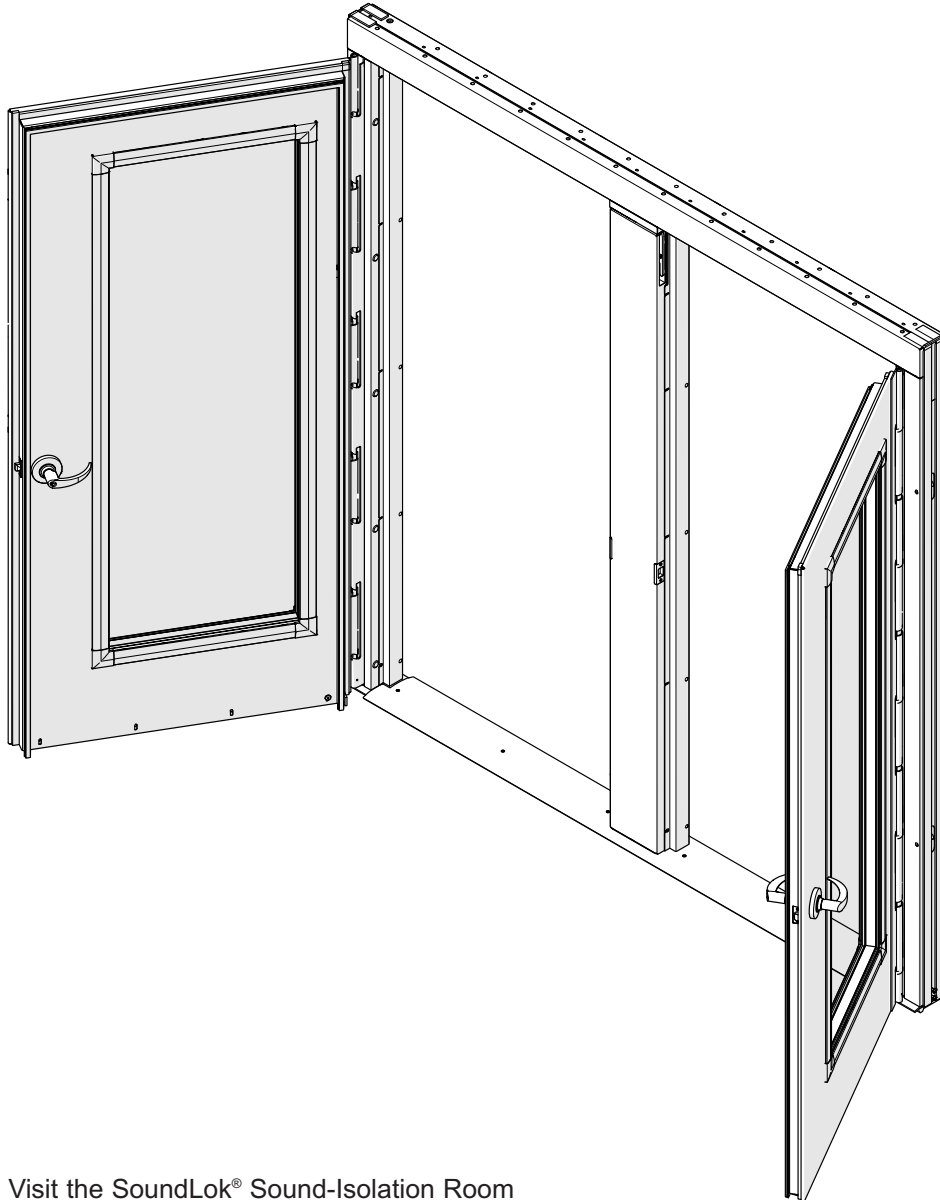




Your Performance Partner

Assembly Instructions SoundLok® Double Door

Double Door assembly procedure only.
Refer to the SoundLok® Installation Instructions 280A099
for the complete Sound-Isolation Room assembly procedure.



Visit the SoundLok® Sound-Isolation Room
Installation Video on Wenger's Youtube.com Channel.

Note: Please read and understand the instructions before starting the assembly or installation.
Note: If you need additional information, contact Wenger Corporation using the information below.

FRAME ASSEMBLY

⚠ CAUTION

Make sure to read and understand the instructions before beginning the assembly.

⚠ CAUTION

The double door components are heavy. More than one person is required to lift and move them into position.

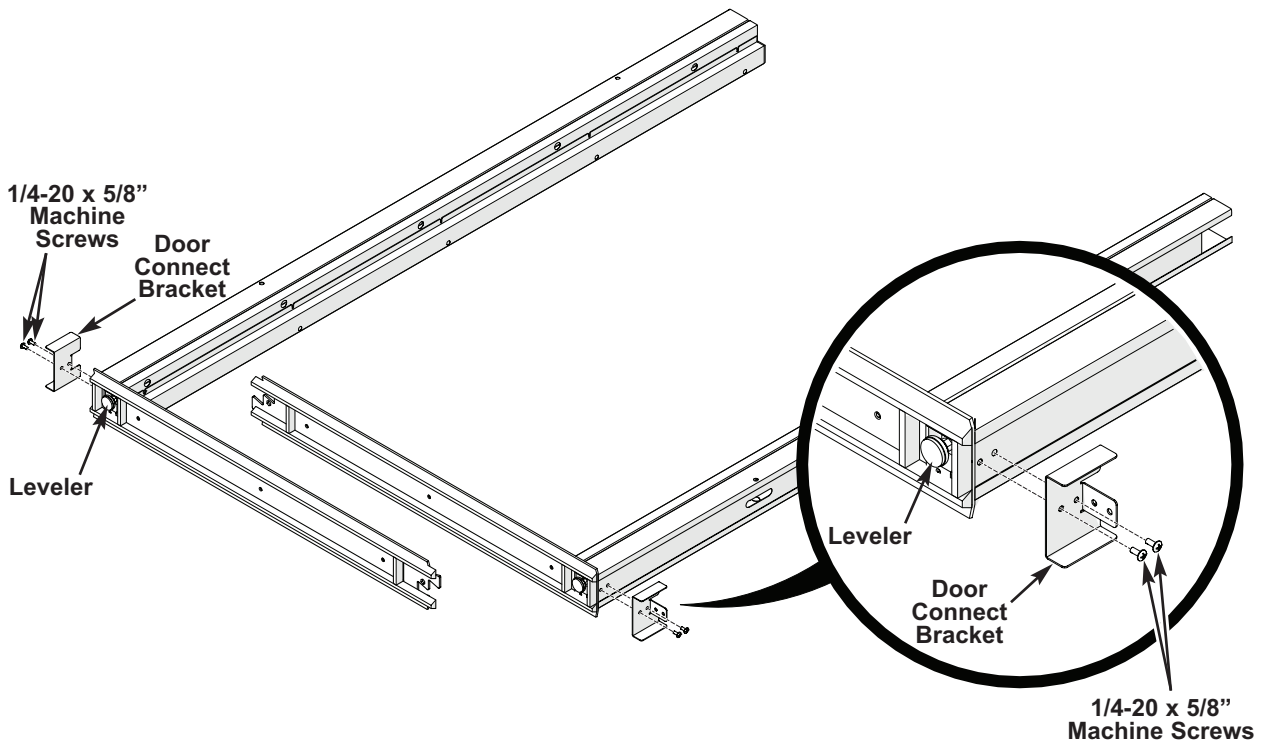
IMPORTANT: This double door assembly procedure begins after Step 2 in the SoundLok® Sound-Isolation Room Assembly Instructions 270A673.

1. Adjust the levelers on the underside of both side frame assemblies so that when they are upright, each will stand vertical, level and square to the floor.

Note: Do not extend levelers beyond the gaskets attached to the underside of the door frame assembly.

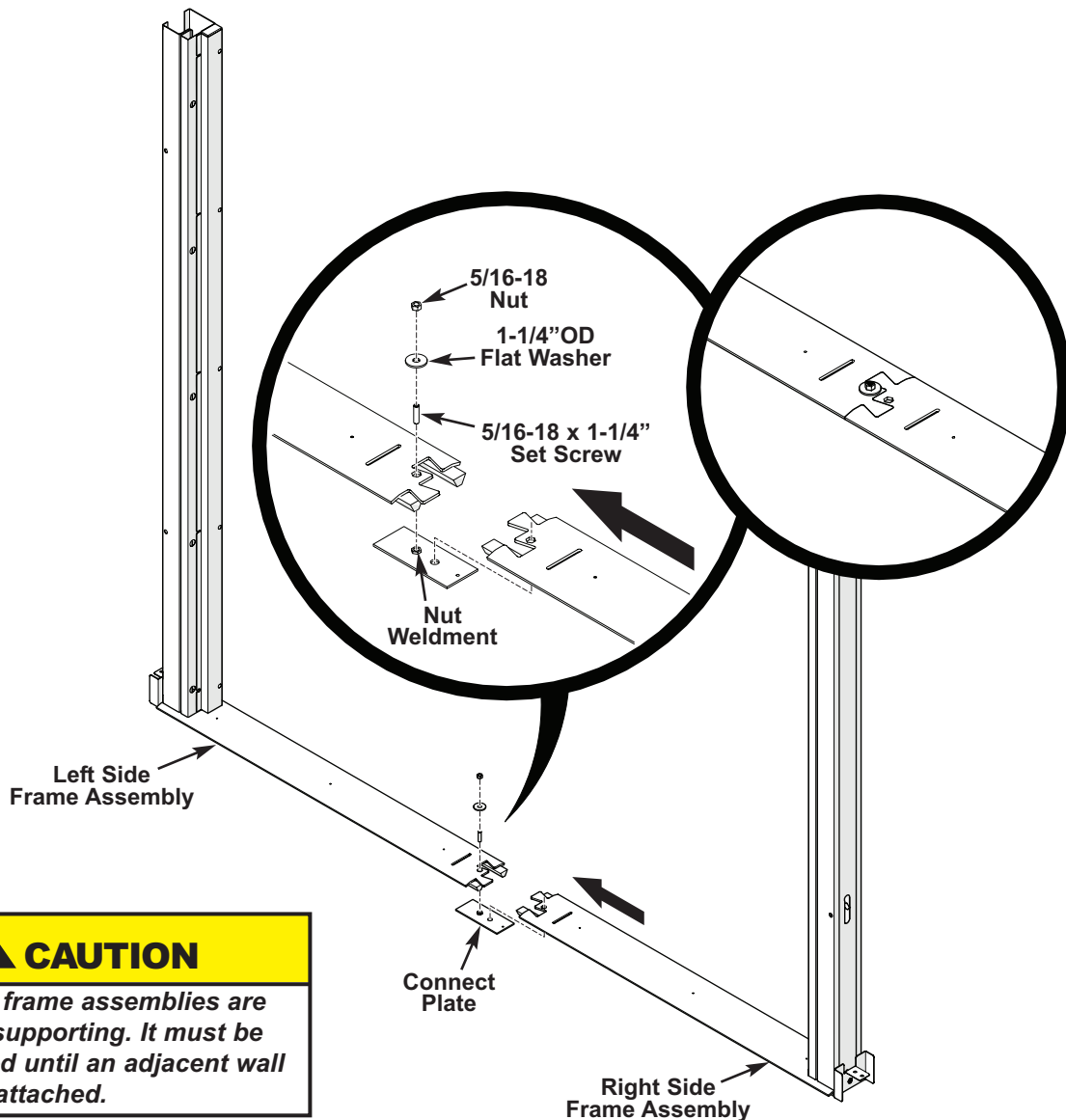
2. Attach a door connect bracket to the bottom outside edge of both door side frame assemblies using two 1/4-20 x 5/8" machine screws in each bracket as shown.

Note: Do not over-tighten the machine screws as this could cause the door connect brackets to warp.



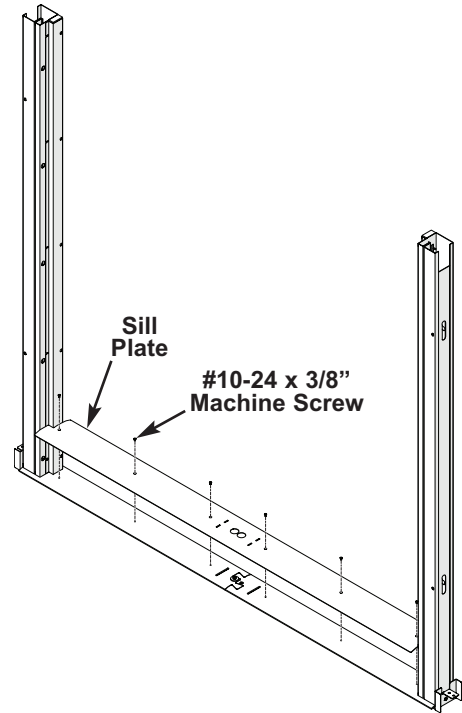
FRAME ASSEMBLY (CONTINUED)

3. Position the connect plate (nut weldment facing up) on the floor where the center of the door will be located.
4. Position the left side frame assembly over the connect plate and align the bottom hole with the connect plate nut weldment.
5. Position the right side frame assembly to fit onto the left side frame assembly and to align with the other hole in the connect plate as shown.
6. Attach the left side frame assembly to the connect plate using a 5/16-18 x 1-1/4" set screw, 1-1/4" OD flat washer and 5/16-18 nut.
7. Use a box level to check the level of the floor and side frames and adjust the levelers as necessary.



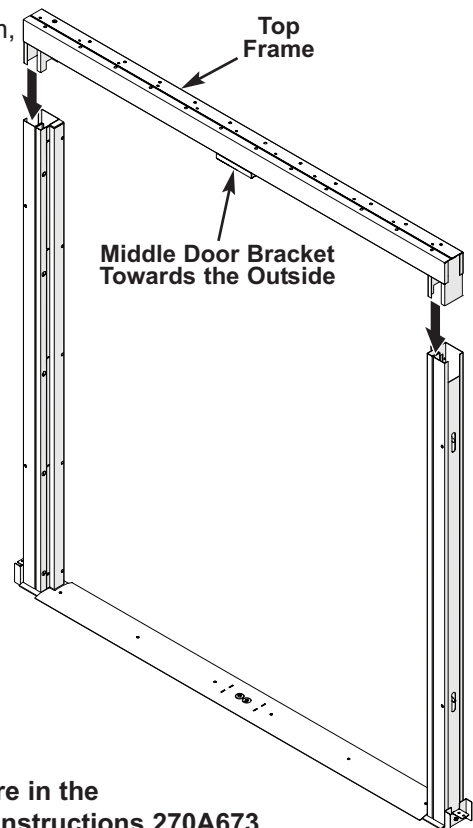
FRAME ASSEMBLY (CONTINUED)

8. Fit the sill plate to cover the bottom of the side frame assemblies as shown. Attach the sill plate using #10-24 x 3/8" machine screws through the six predrilled holes.



9. With the middle door bracket towards the outside of the room, fit the tabbed ends of the top frame into the top of both side frame assemblies.


The top frame must fit flush in both side frame assemblies with no gaps.



IMPORTANT: At this point, resume the installation procedure in the SoundLok® Sound-Isolation Room Assembly Instructions 270A673. Go to Step 8 of "Floor Frame and Door Frame Assembly".

DOOR INSTALLATION (CONTINUED)

IMPORTANT: The following procedure replaces those for “Door Assembly” in the SoundLok® Sound-Isolation Room Assembly Instructions 270A673.

 CAUTION
<i>The double door components are heavy. More than one person is required to lift and move them into position.</i>

 CAUTION
<i>Do not slide the door assembly gaskets on any surface.</i>

See the illustration on the following page.

1. Lift one door assembly from the crate and transport it to the set-up position.
2. Slide the vertical tab of the door assembly into the slot in the door frame.

Align the pre-drilled holes in the door assembly with the corresponding pre-drilled holes in the door frame.

3. Loosely attach the door assembly to the door frame using a $\frac{3}{8}$ -16 x 1” socket screw in the five sets of aligned pre-drilled holes.
4. Position the door opening to approximately 30 degrees open.

Raise the door until the top of the inner leaf just clears the door frame while swinging open and falls as it closes.

Tighten both the top and bottom socket screws to hold the hinge in this location.

5. Close and latch the door.

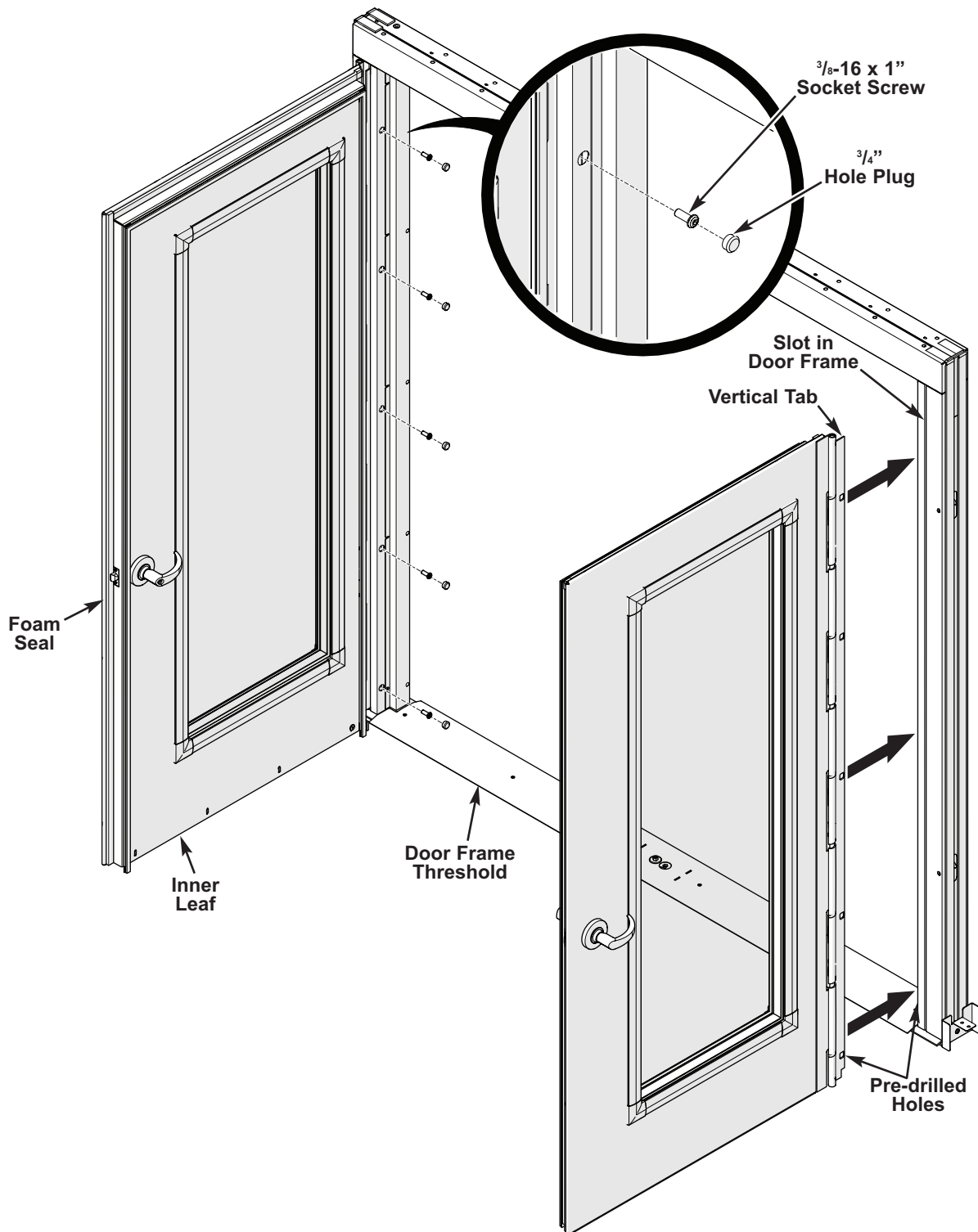
Inspect the compression of the foam seal on the latch side of the door. It should be approximately equal from the top to the bottom of the door. If adjustment is necessary, use a pry bar or shim to hold the door hinge at its current elevation and loosen the top and bottom mounting screws.

Adjust the hinge in the frame inward or outward (at both the top and bottom) to even the seal compression.

Re-tighten the top and bottom mounting screws. Repeat this process until the seal compression is as even as possible.

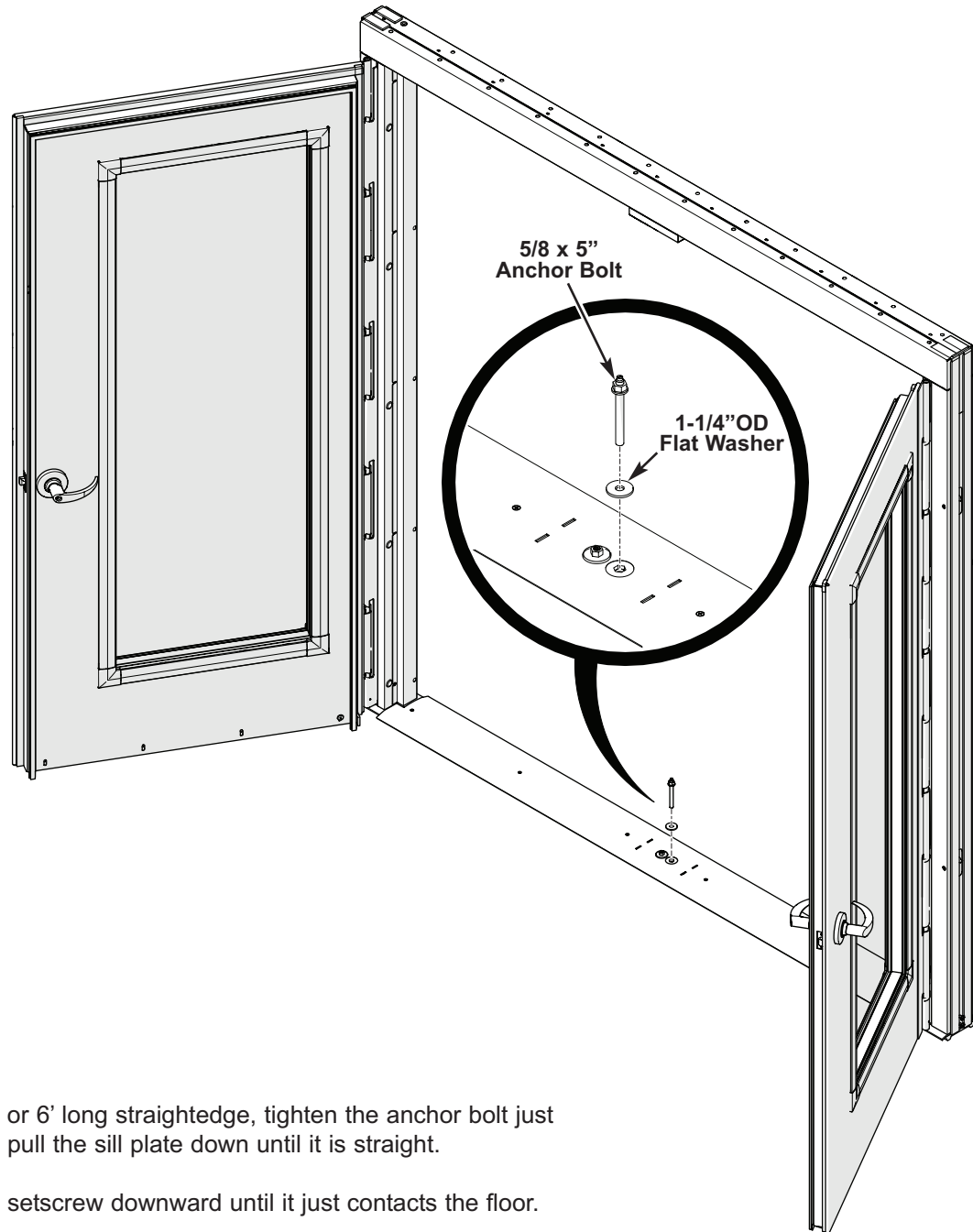
6. Tighten the remaining three mounting screws.
7. Completely open and close the door to be sure that it clears the frame at the top and the sill plate at the bottom.
8. Plug each hole using a $\frac{3}{4}$ ” hole plug.
9. Repeat these steps to assemble the second door.

DOOR INSTALLATION (CONTINUED)



ANCHORING

1. Anchor the double door assembly to the floor using a 3/8" x 5" anchor bolt and a 1-1/4" OD flat washer through the remaining hole in the sill plate as shown. The anchor bolt must be seated a minimum of 2" (5 cm) deep.

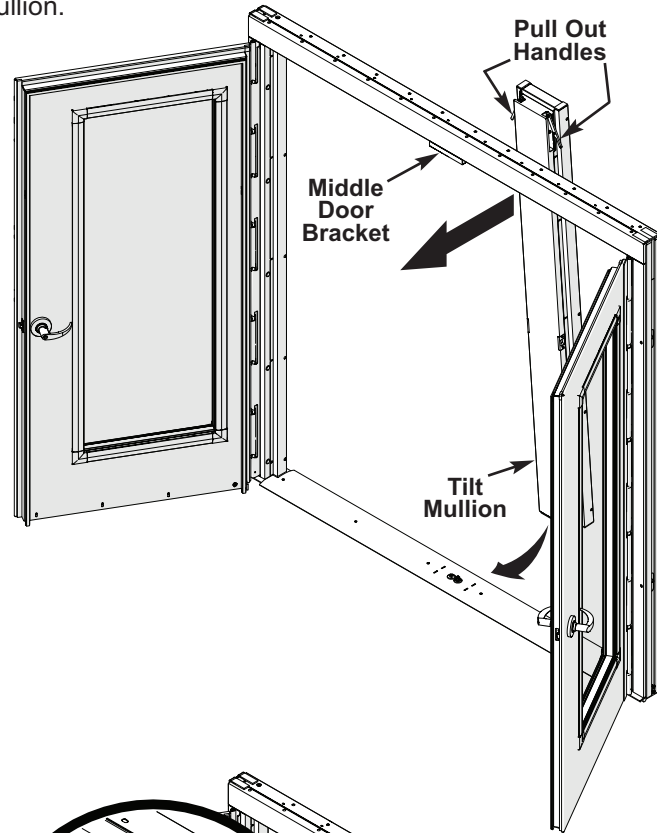


2. Using a 5' or 6' long straightedge, tighten the anchor bolt just enough to pull the sill plate down until it is straight.
3. Adjust the setscrew downward until it just contacts the floor.

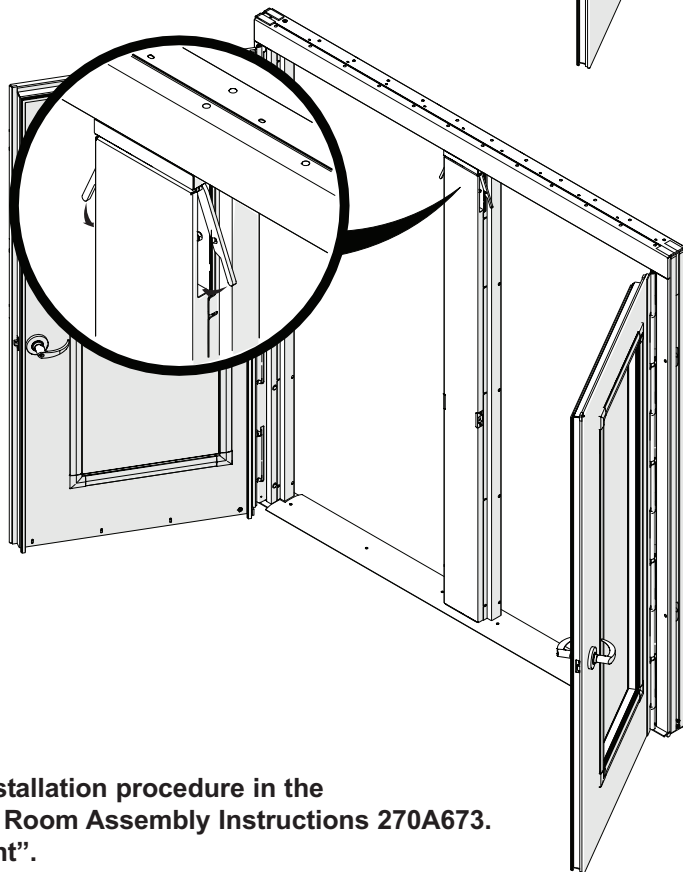
Note: The setscrew prevents the center of the sill plate from being forced down due to external loads such as foot traffic, wheeled equipment, etc. The anchor bolt keeps the frame pulled down against the compression seals so the mullion can be easily removed or replaced.

MULLION INSTALLATION

1. Pull out on both handles at the top of the mullion.
2. Tip the mullion and tip it to fit under the middle door bracket and over the floor anchor.



3. Pull the handles back in to lock the mullion to the top frame.



IMPORTANT: At this point, resume the installation procedure in the SoundLok® Sound-Isolation Room Assembly Instructions 270A673. Go to "Door Seal Adjustment".