

CONTENTS

Safety Precautions	2	Required Tools	4
Important User Information	3	Before Starting Installation	4
General	3	Installation	4
Manufacturer	3		
Intended Use	3		
Warranty	3		

Note: Wenger supplies selected Ceiling Panels with predrilled holes for fire sprinkler system installation. These holes are sealed with cover plates and can be used for fire protection system installation inside the SoundLok® Sound-Isolation Room by a sprinkler contractor. Wenger will install these Ceiling Panels in the construction process and can remove the cover plate but cannot perform any of the sprinkler system installation. The sprinkler system installation **must** be done by a licensed fire protection system installation contractor.

Note: Please read and understand these Assembly and Owner's Instructions before starting installation.

Note: Remove all items from the shipping cartons and arrange them in a convenient location. Refer to the illustrations on the following pages. If you need additional information, contact the Wenger Corporation using the information below.

SAFETY PRECAUTIONS

Throughout this manual you may find cautions and warnings which are defined as follows.

- **WARNING** means that failure to follow the instruction may result in serious injury or death.
- **CAUTION** means that failure to follow the instruction may result in serious injury or damage to property.

Read all of the safety instructions before installing the Sprinkler Panel.

 CAUTION
<i>Make sure that anyone installing the Sprinkler Panel has read and understands these instructions.</i>

 CAUTION
<i>Failure to comply with Warnings and Cautions in this document can result in damage to property or serious injury.</i>

IMPORTANT USER INFORMATION

GENERAL

Copyright © 2012 by Wenger Corporation

All rights reserved. No part of the contents of this manual may be reproduced, copied, or transmitted in any form or by any means including graphic, electronic, or mechanical methods or photocopying, recording, or information storage and retrieval systems without the written permission of the publisher, unless it is for the purchaser's personal use.

Printed and bound in the United States of America.

The information in this manual is subject to change without notice and does not represent a commitment on the part of Wenger Corporation. Wenger Corporation does not assume any responsibility for any errors that may appear in this manual.

In no event will Wenger Corporation be liable for technical or editorial omissions made herein, nor for direct, indirect, special, incidental, or consequential damages resulting from the use or defect of this manual.

The information in this document is not intended to cover all possible conditions and situations that might occur. The end user must exercise caution and common sense when assembling or installing Wenger Corporation products. If any questions or problems arise, call Wenger Corporation at 1-800-733-0393.

MANUFACTURER

The SoundLok® Sound-Isolation Room Sprinkler Panel is manufactured by:

Wenger Corporation
555 Park Drive
Owatonna, MN 55060
1-507-455-4100 • 1-800-733-0393
www.wengercorp.com

INTENDED USE

- This product is intended for indoor use in normal ambient temperature and humidity conditions.
- This product is intended to be installed only as described in these instructions.

WARRANTY

This product is guaranteed free of defects in materials and workmanship for five full years from date of shipment. A full warranty statement is available upon request.

REQUIRED TOOLS

The following tools are required for assembly.

- 1/4-inch Drift Punch
- 5/16-inch Open End Wrench
- 5/16-inch Socket and Ratchet
- Drill
- Phillips Head Screwdriver

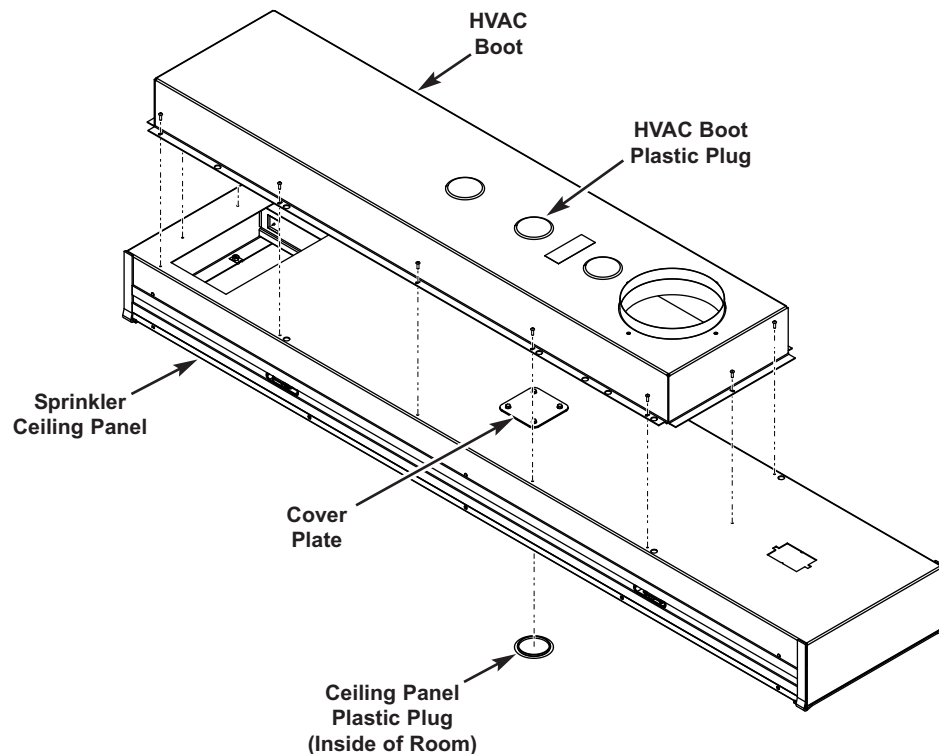
BEFORE STARTING INSTALLATION

1. Make sure that the Painted Washer and the Acoustic Tape are in the bag that contains these instructions.
2. Complete the installation of the room.
 - a. Make sure that the ceiling panels are locked together.
 - b. Make sure that the ceiling panels are locked to the walls.
3. Completely read and understand these instructions Manual before starting the sprinkler installation.

INSTALLATION

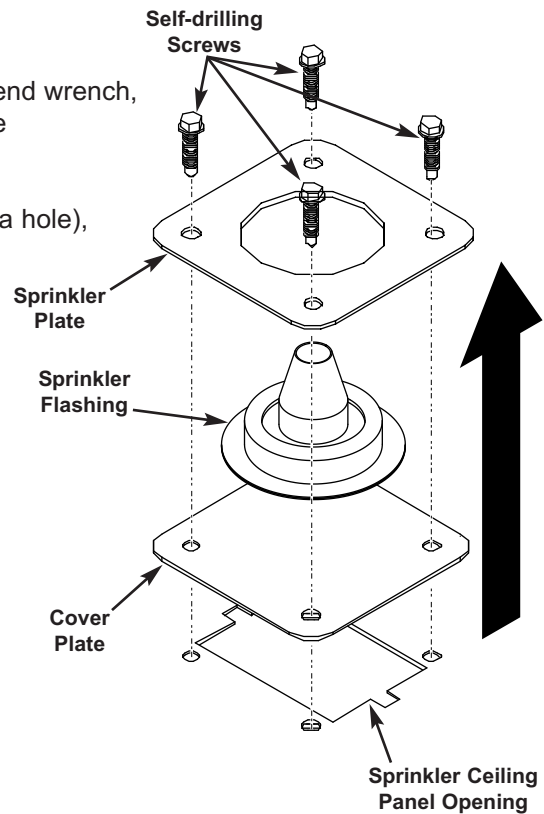
1. Locate the Sprinkler Ceiling Panel at the top surface of the room.
2. Remove the Plastic Plug from the bottom of the Ceiling Panel inside of the room.
3. If the Sprinkler Ceiling Panel is equipped with HVAC, remove the Plastic Plug from the top of the HVAC Boot.
4. Using a flashlight and a long screwdriver or punch, verify that the Cover Plate has been removed from the top of the Ceiling Panel opening.

If the Cover Plate has not been removed, the entire HVAC Boot must be removed to access the Cover Plate.



INSTALLATION (CONTINUED)

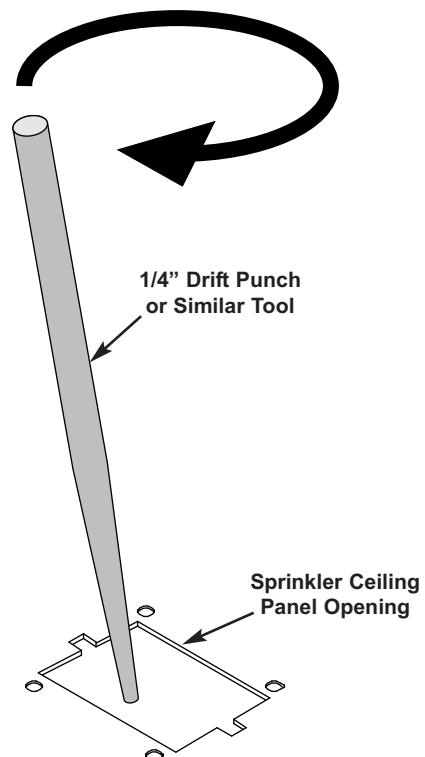
5. Remove the Sprinkler Plate, Sprinkler Flashing and Cover Plate from the Sprinkler Ceiling Panel:
 - a. Using a 5/16" socket and ratchet or a 5/16" open end wrench, remove the four Self-drilling Screws that attach the components to the Sprinkler Ceiling Panel.
 - b. Set aside and save the Sprinkler Plate (plate with a hole), Sprinkler Flashing and the Screws.
 - c. Discard the Cover Plate (no hole).



6. Using the 1/4" drift punch or screwdriver, open a hole in the Sprinkler Ceiling Panel fiber glass insulation just large enough to accept the sprinkler pipe and sprinkler head to be used. Do not remove any insulation.

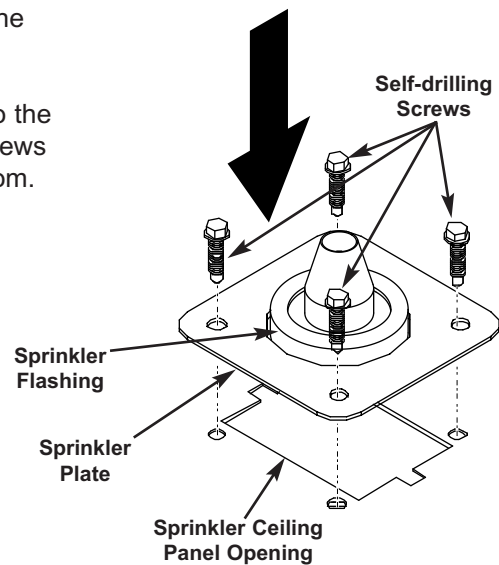
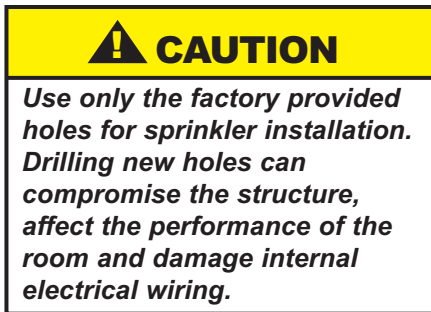
⚠ CAUTION

Do not make the hole in the insulation larger than the sprinkler pipe and do not remove any insulation. This can affect the acoustic performance of the room.

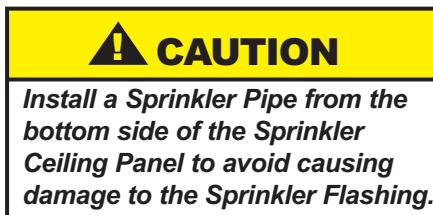


INSTALLATION (CONTINUED)

7. Attach the Sprinkler Plate and Sprinkler Flashing:
 - a. Fit the Sprinkler Flashing through the center hole in the Sprinkler Plate Center Hole as shown.
 - b. Reattach the Sprinkler Plate and Sprinkler Flashing to the Sprinkler Ceiling Panel using the four Self-drilling Screws into the same set of holes that they were removed from.



8. If there is an HVAC Boot, place it back into position on top of the Sprinkler Ceiling Panel but do not re-attach it.
9. Install a Sprinkler Pipe from the bottom side of the Sprinkler Ceiling Panel to avoid causing damage to the Sprinkler Flashing.

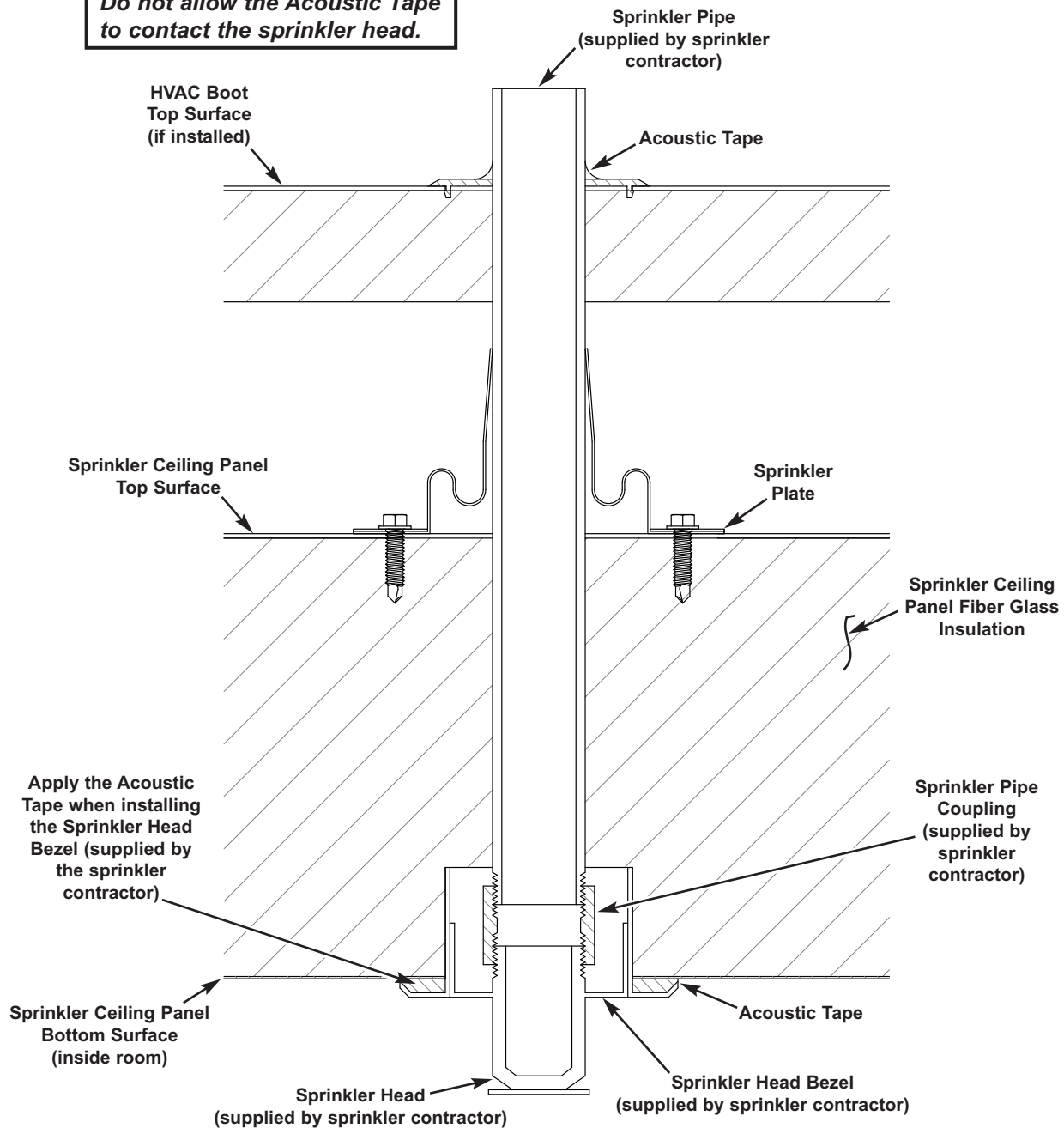


- a. Lubricate the Sprinkler Pipe with liquid soap.
- b. Twist the Sprinkler Pipe it as it passes through the Sprinkler Ceiling Panel.
- c. The Sprinkler Flashing is designed to accept a 3/4" x 1" sprinkler pipe and will seal properly without additional modifications.

INSTALLATION (CONTINUED)

10. Assemble the sprinkler system (supplied by the sprinkler contractor) through the Sprinkler Ceiling Panel and HVAC Boot if equipped.
 - a. Use the acoustic tape supplied to seal the Sprinkler Head Bezel to the Sprinkler Ceiling Panel.
 - b. If the Sprinkler Head Bezel does not completely cover the hole in the Sprinkler Ceiling Panel bottom surface, go to the next step before installing the Sprinkler Head and Acoustic Tape.
 - c. If there is an HVAC Boot, seal any gaps between it and the top of the panel surface with Acoustic Tape.

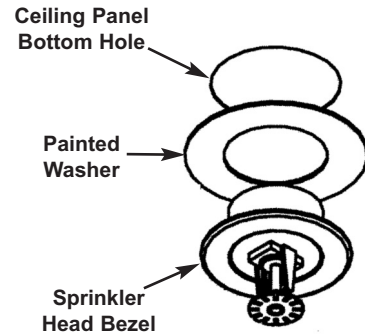
CAUTION
Do not allow the Acoustic Tape to contact the sprinkler head.



INSTALLATION (CONTINUED)

11. The hole in the Sprinkler Ceiling Panel bottom side is sized for most sprinkler heads. Make sure the bezel of the sprinkler head **completely covers the Sprinkler Ceiling Panel bottom hole** regardless of where the sprinkler head is positioned in the hole. If a gap is exposed, insert the Painted Washer (supplied in the plastic bag) between the Acoustic Tape and the Sprinkler Ceiling Panel.

Note: Any exposed gaps will affect the acoustical performance of the room.



12. If the Sprinkler Ceiling Panel is equipped with HVAC, re-attach the HVAC Boot with the screws that were removed at the beginning of the installation.
13. Use the remaining Acoustic Tape to seal the sprinkler pipe to the Sprinkler Plate and Plastic Plug (if equipped) on the top of the room.

⚠ CAUTION

Exposed gaps between the Panel and the Bezel can affect acoustical performance of the room.