

### BEFORE YOU BEGIN

Read the complete assembly procedure before you start to attach the shelves.

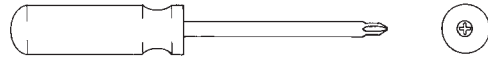
Remove the two fully-assembled shelves and the hardware bag from the box.

If your cabinet does not have pre-installed inserts on its sides, start with step one and use the screws from the hardware bag to mount the shelves.

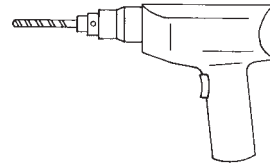
If your cabinet has the inserts, go directly to Step 2 and use the screws which are preinstalled in the inserts (do not use the hardware bag).

### TOOLS REQUIRED

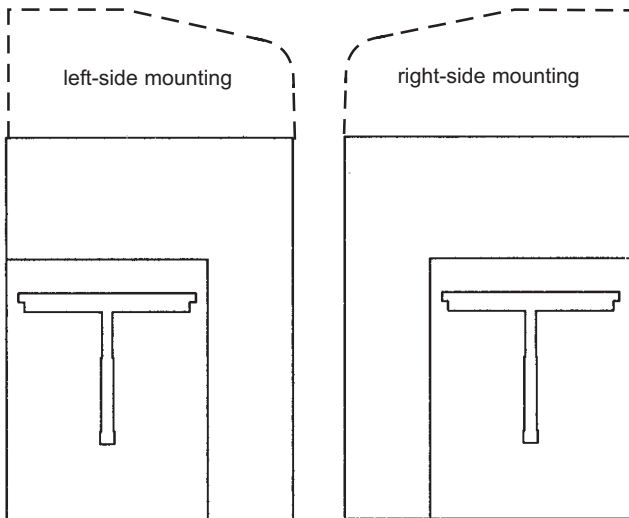
- Phillips-head screwdriver:



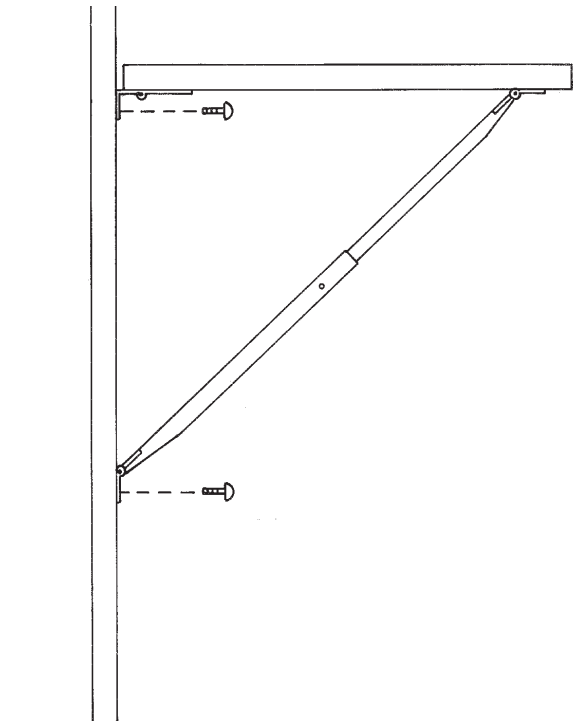
- Electric drill and 3/32" bit:



Template positions for cabinet without preinstalled inserts on the sides.



1. Using the template, mark mounting holes on the sides of the Resource Center.  
Drill 3/32" diameter holes.



2. **Cabinet with preinstalled inserts:**  
Use screws from inserts  
**Cabinet without preinstalled inserts:**  
Use screws from hardware bag
3. Attach square bumpers to bottom of speakers to prevent slipping.