



Assembly Instructions StageTek™ Chair Clamp

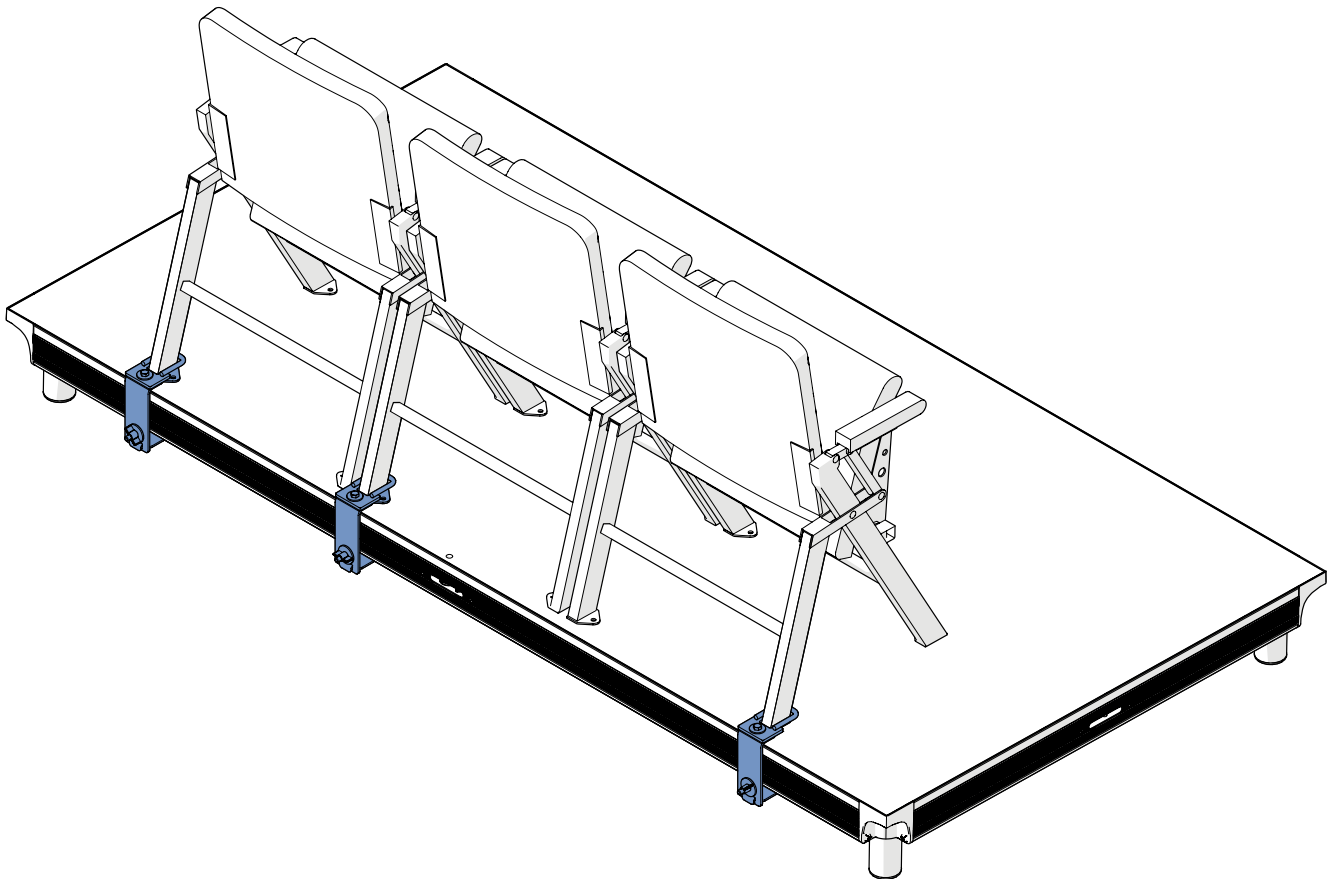
Basic Instructions to be used with Wenger Portable Audience Chairs only!
For Replacement Parts and more detailed product information,
refer to the StageTek Owner's Manual 280A099.

CAUTION

Make sure anyone assembling or installing the StageTek component has read and understands the instructions.

CAUTION

Always comply with Warnings or Cautions in the instructions or posted on the equipment.



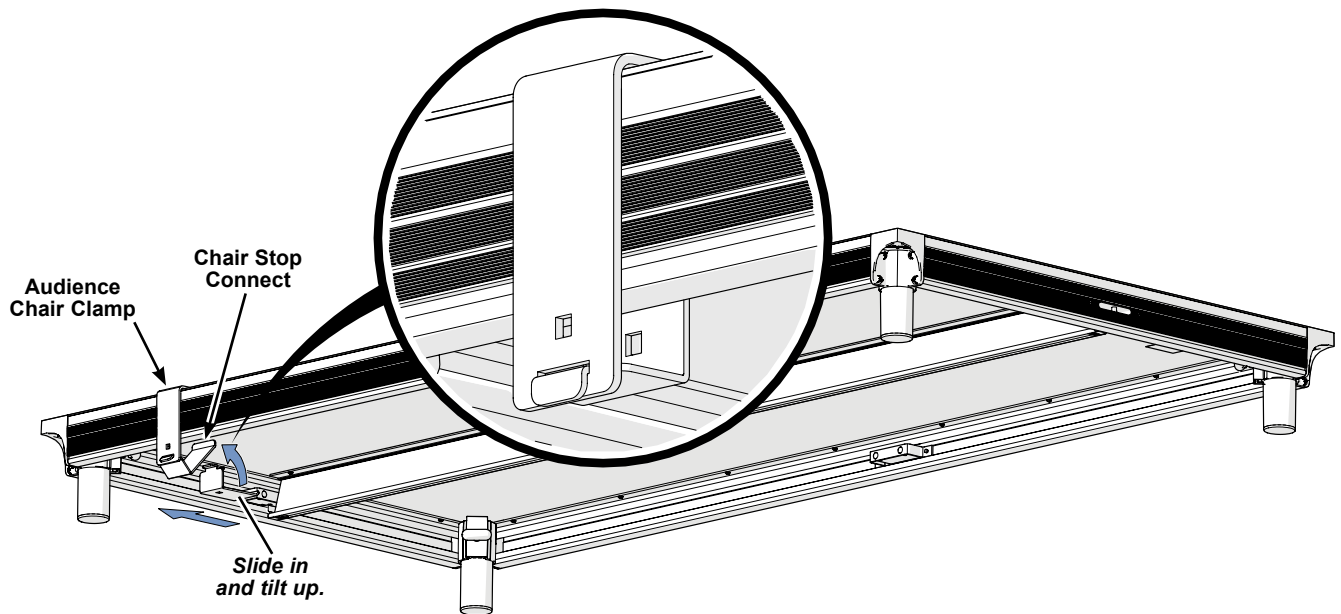
Visit the StageTek web page at www.wengercorp.com for detailed instructions and videos.

Note: Please read and understand these instructions before installing.

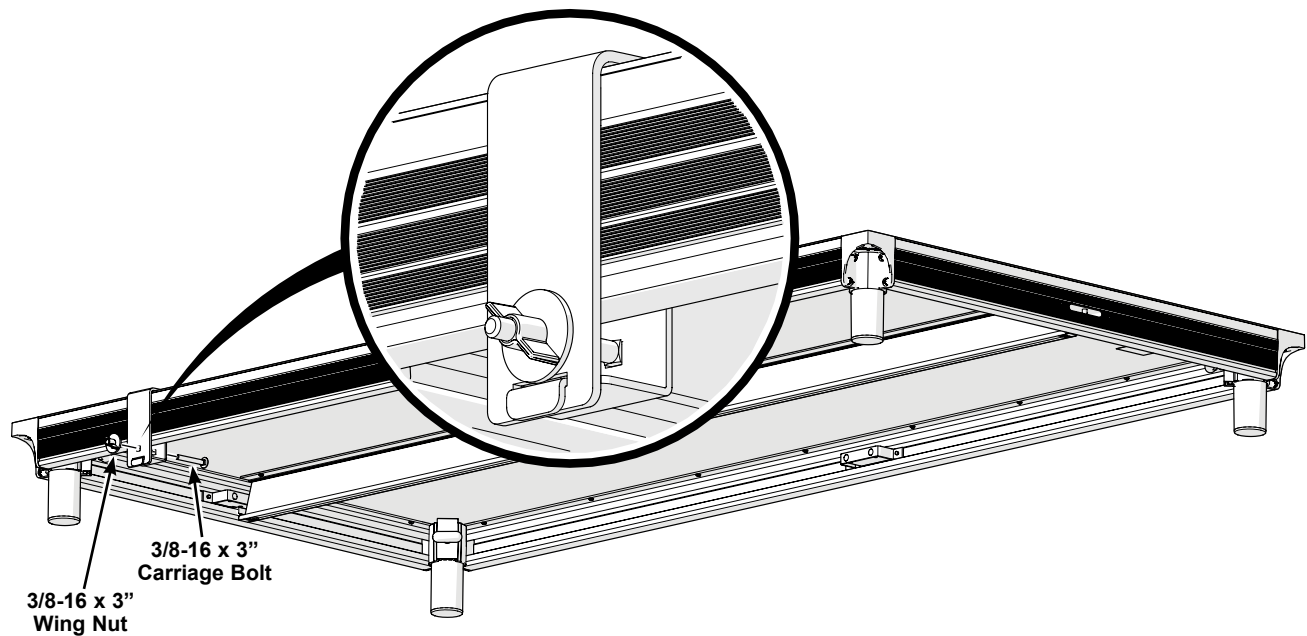
Note: If you need additional information, contact Wenger Corporation using the information below.

Assembly

1. Hold an Audience Chair Clamp flat against the outside frame of the StageTek deck.
2. Slide a Chair Stop Connect into the slot at the bottom of the Audience Chair Clamp and tilt it up onto the lip on the inside frame.

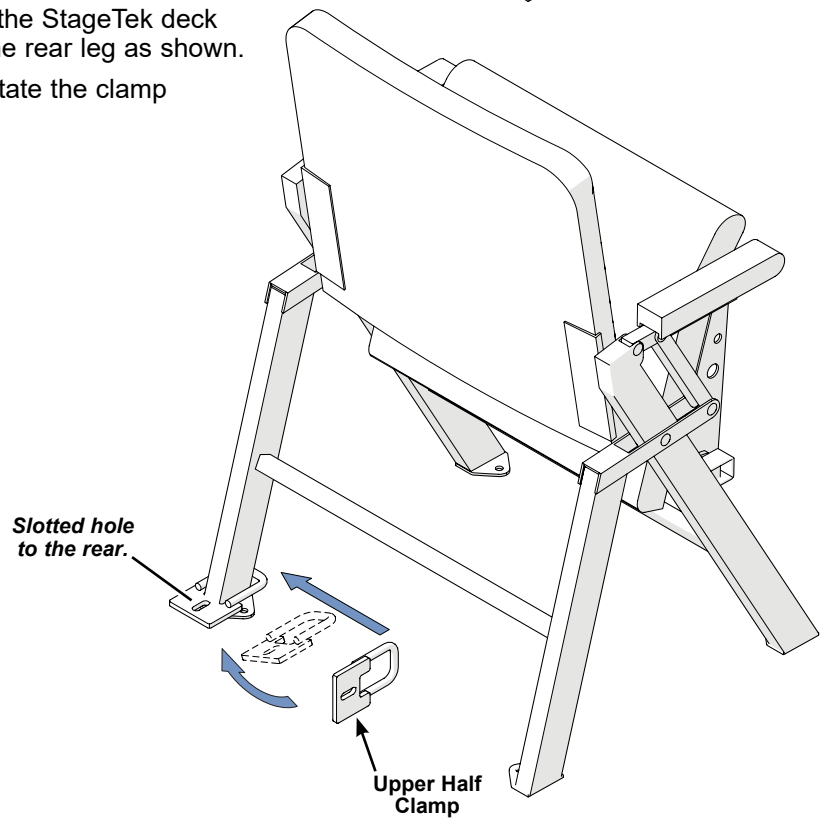


3. Secure together using a 3/8-16 x 3" Carriage Bolt and a 3/8-16 Wing Nut. Leave the connection loose enough to allow the location to be adjusted from side to side.

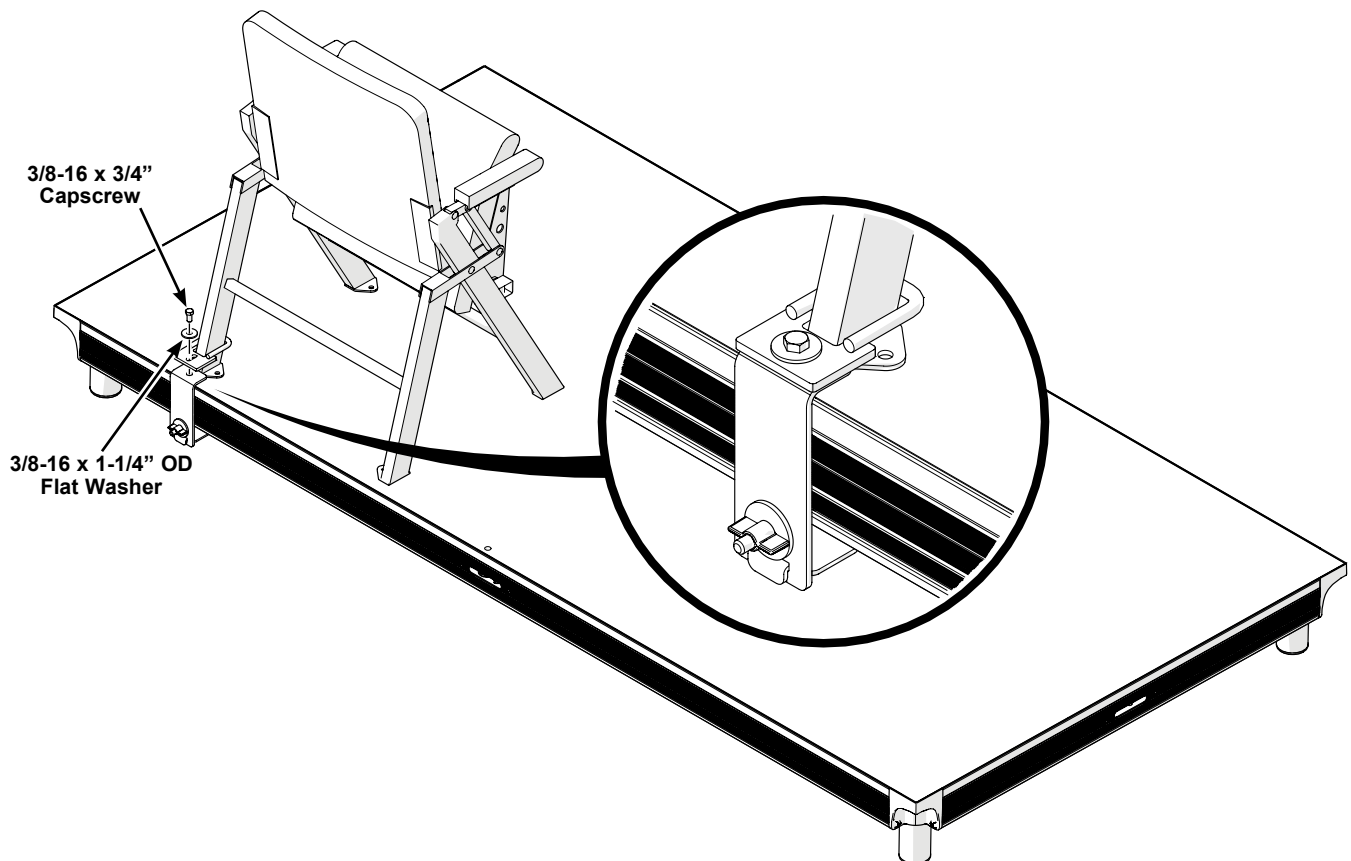


Assembly (continued)

4. Position a Portable Audience Chair on the StageTek deck and place an Upper Half Clamp onto the rear leg as shown.
 - a. With the slotted hole at the rear, rotate the clamp to fit over the tab on the chair leg.
 - b. Lay the clamp flat on the tab.

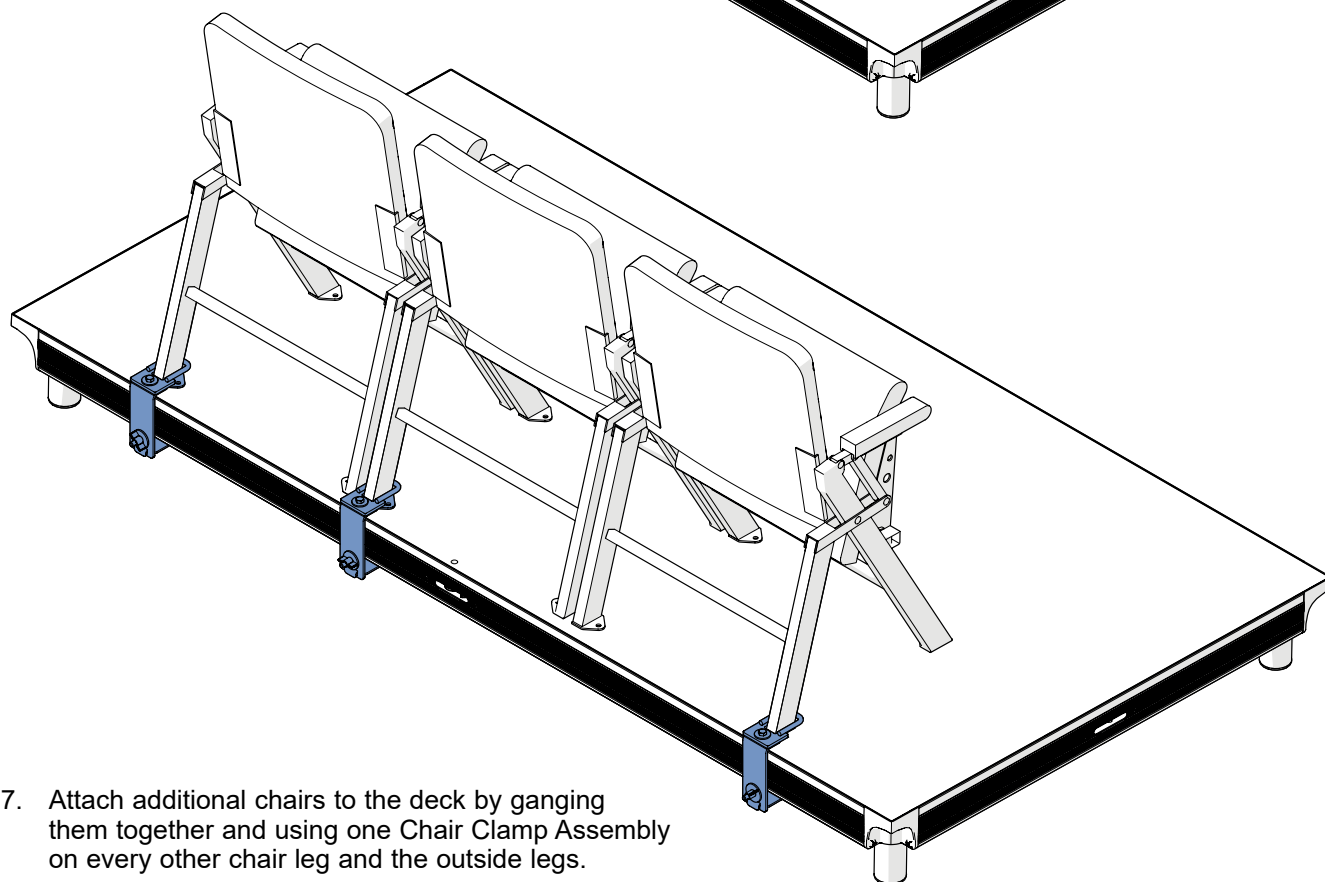
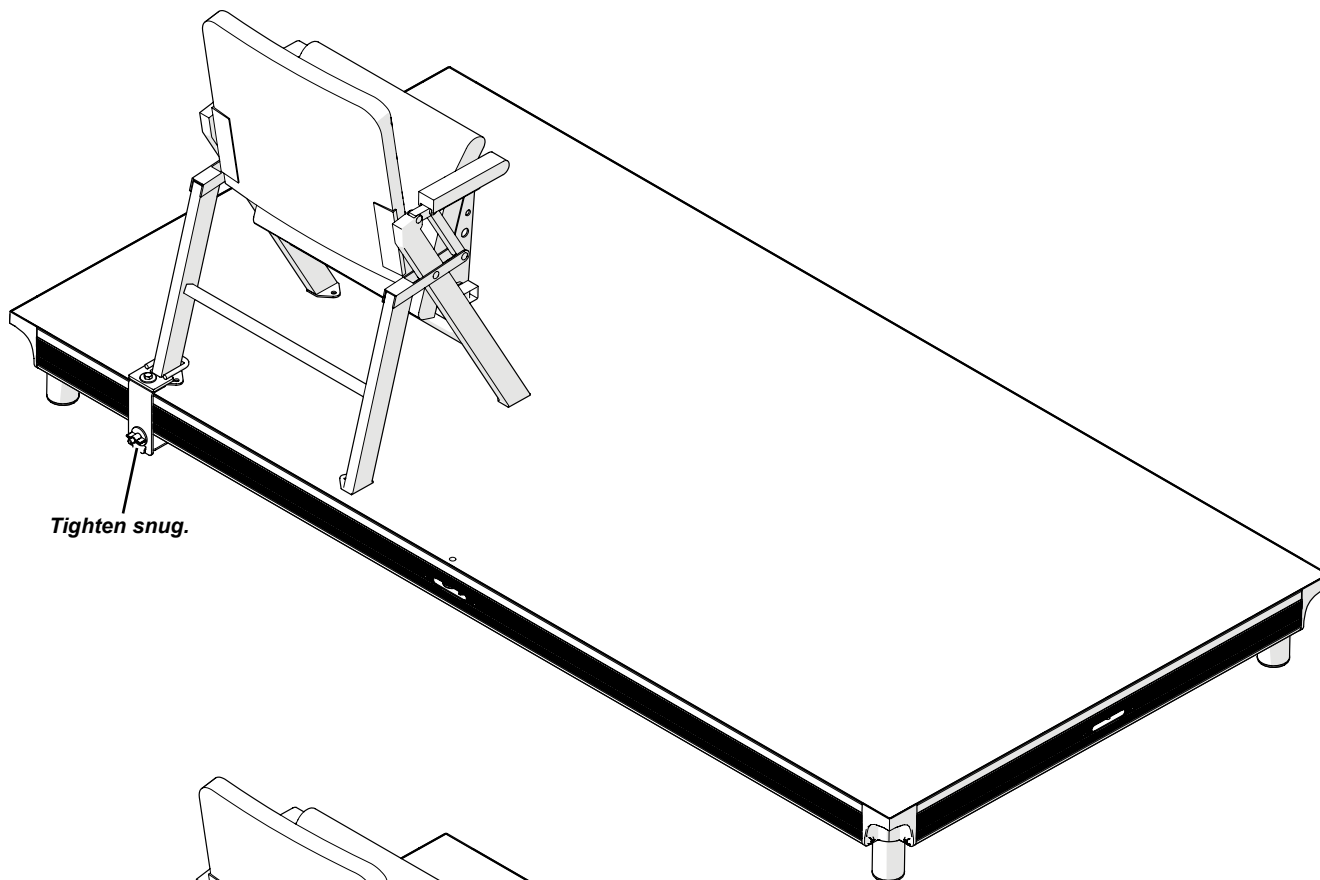


5. Attach the Upper Half Clamp to the Audience Chair Clamp using a $3/8 \times 1-1/4$ " OD Flat Washer and a $3/8-16 \times 3/4$ " Capscrew.



Assembly (continued)

6. Position the chair in it's final location and tighten the Wing Nut snug.
Do not over tighten!



7. Attach additional chairs to the deck by ganging them together and using one Chair Clamp Assembly on every other chair leg and the outside legs.