

Basic Instructions only!

For Replacement Parts and more detailed product information,
refer to the StageTek™ Owner's Manual 280A099.

⚠ CAUTION

Make sure anyone assembling or installing the StageTek component has read and understands the instructions.

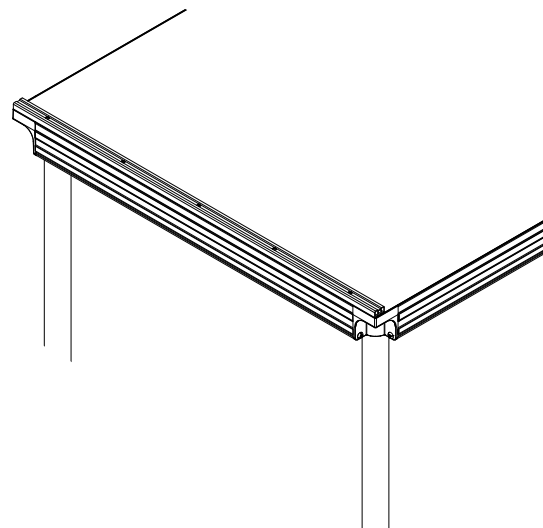
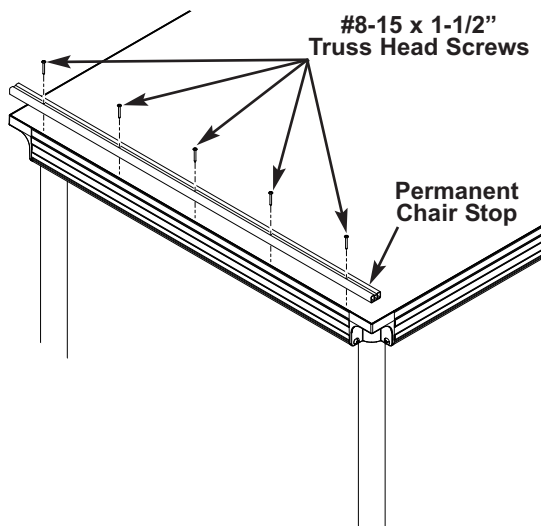
⚠ CAUTION

Always comply with Warnings or Cautions in the instructions or posted on the equipment.

ATTACHING A PERMANENT CHAIR STOP

To attach a Permanent Chair Stop to the stage deck:

1. Align the Chair Stop to fit against the edge of the stage deck.
2. Attach the Chair Stop to the stage deck using #8-15 x 1-1/2" Truss Head Screws through each of the predrilled holes in the Chair Stop and into the deck surface.



Visit the StageTek web page at www.wengercorp.com for detailed instructions and videos.

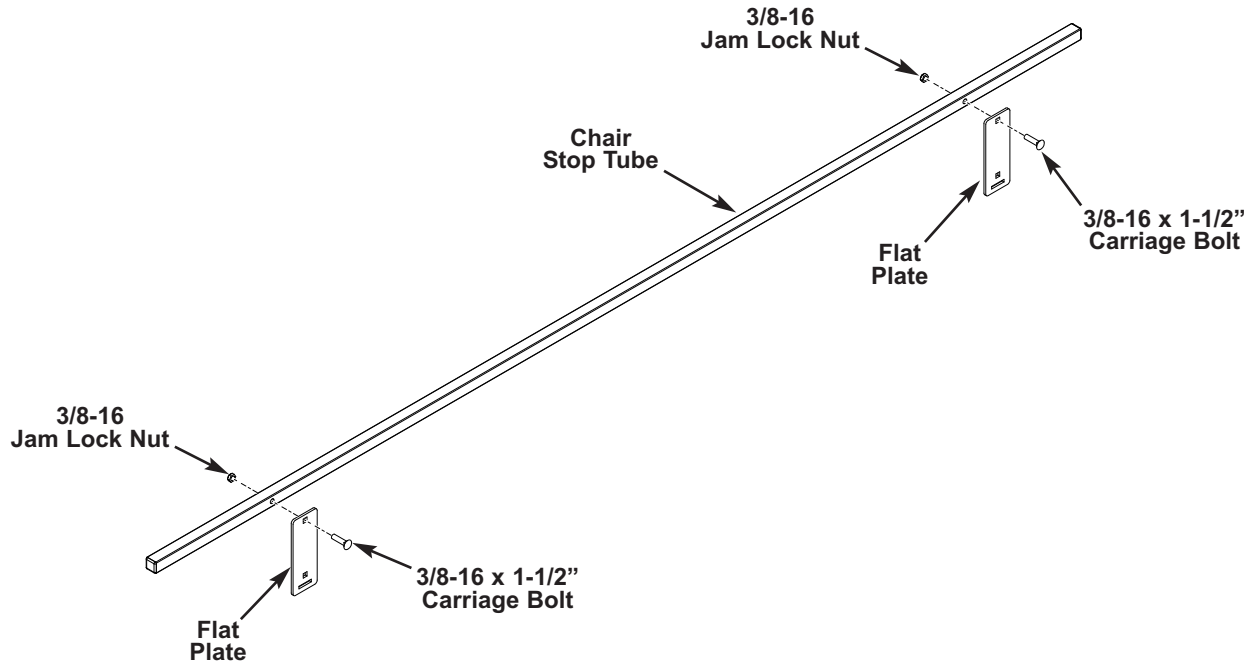
Note: Please read and understand the instructions before starting the assembly or installation.

Note: If you need additional information, contact Wenger Corporation using the information below.

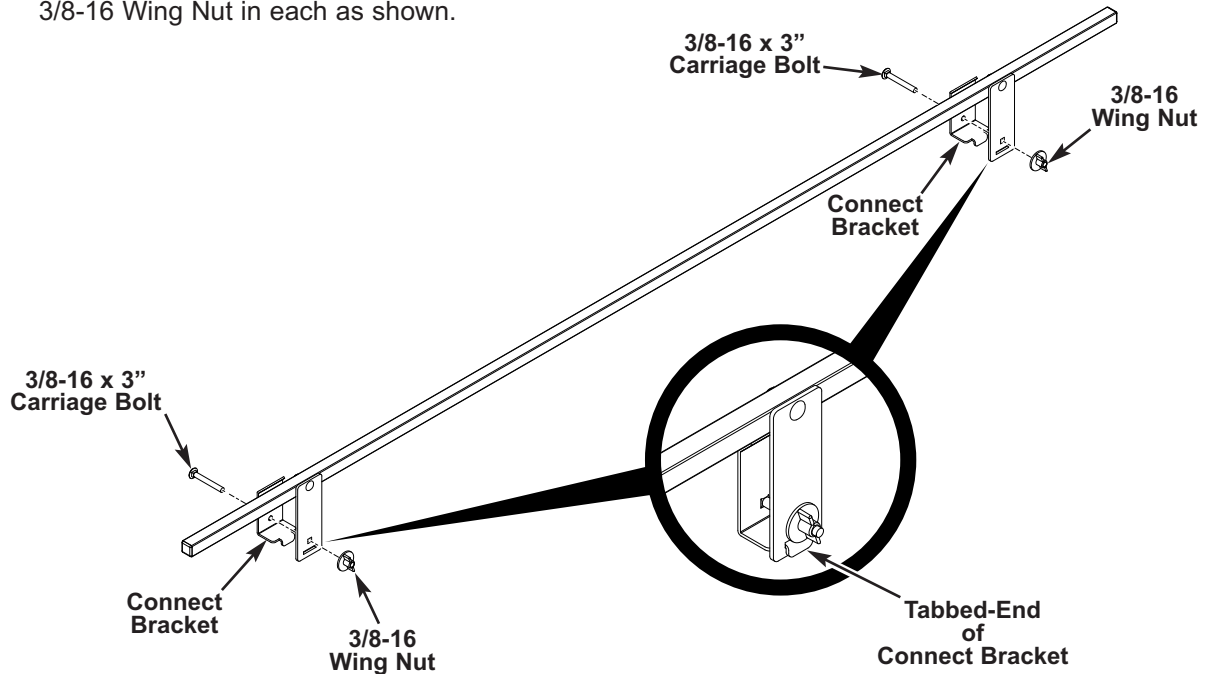
ASSEMBLING A REMOVABLE CHAIR STOP

To assemble the Removable Chair Stop:

1. Attach a Flat Plate to both ends of the Chair Stop Tube using a 3/8-16 x 1-1/2" Carriage Bolt and 3/8-16 Jam Lock Nut in each as shown.



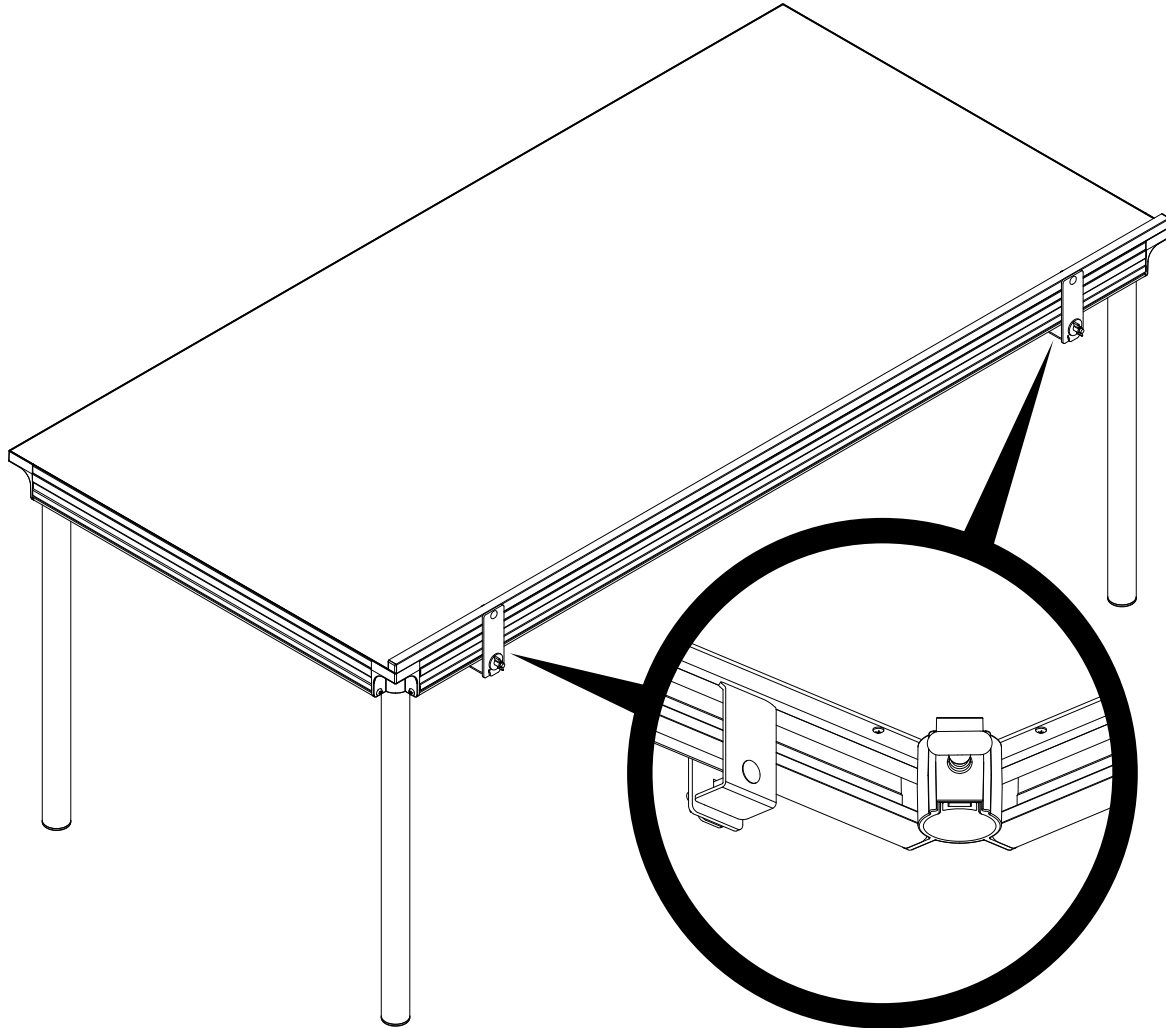
2. Hook the tabbed-end of a Connect Bracket into the slot in each of the Flat Plates as shown.
3. Secure both Connect Brackets in place using a 3/8-16 x 3" Carriage Bolt and 3/8-16 Wing Nut in each as shown.



ATTACHING A REMOVABLE CHAIR STOP

To attach a Removable Chair Stop to the stage deck:

1. Fit the Connect Brackets under the lip of the stage deck.
It may be necessary to loosen the Wing Nuts.
2. Position the Chair Stop Tube to fit against the edge of the stage deck.
3. Tighten the Wing Nut to fit the Connect Brackets snug to the underside of the stage deck lip.



This page is intentionally blank.