



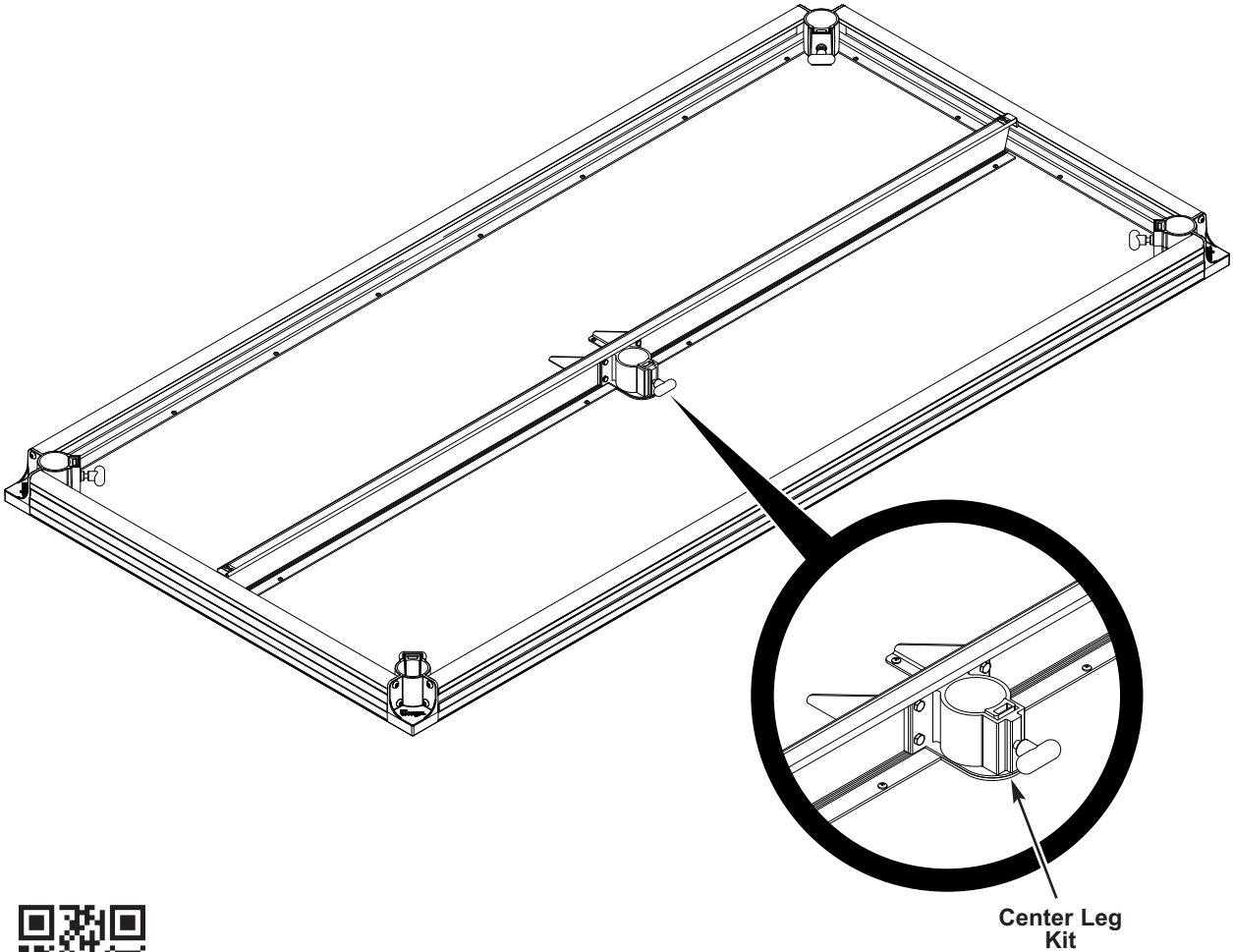
Your Performance Partner

Assembly Instructions StageTek™ Center Leg Kit

Basic Instructions only!
For Replacement Parts and more detailed product information,
refer to the StageTek™ Owner's Manual 280A099.

CAUTION
Make sure anyone assembling or installing the StageTek component has read and understands the instructions.

CAUTION
Always comply with Warnings or Cautions in the instructions or posted on the equipment.

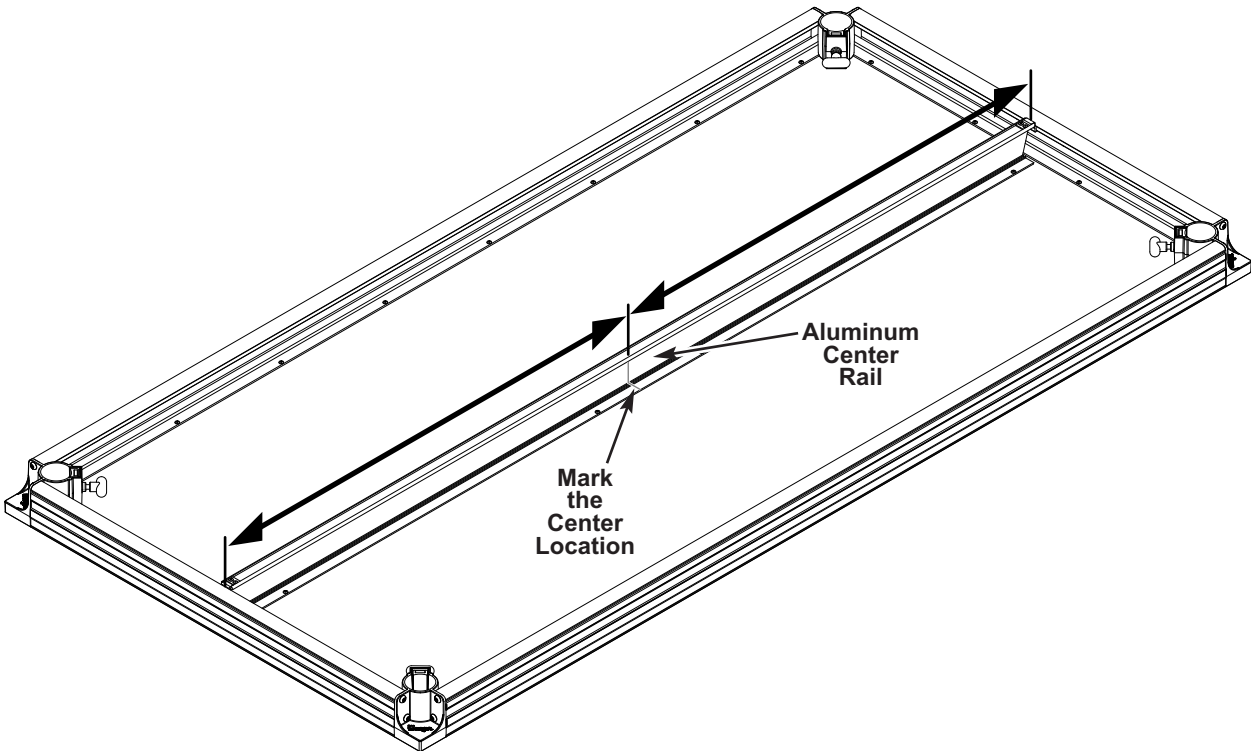


Visit the StageTek web page at www.wengercorp.com for detailed instructions and videos.

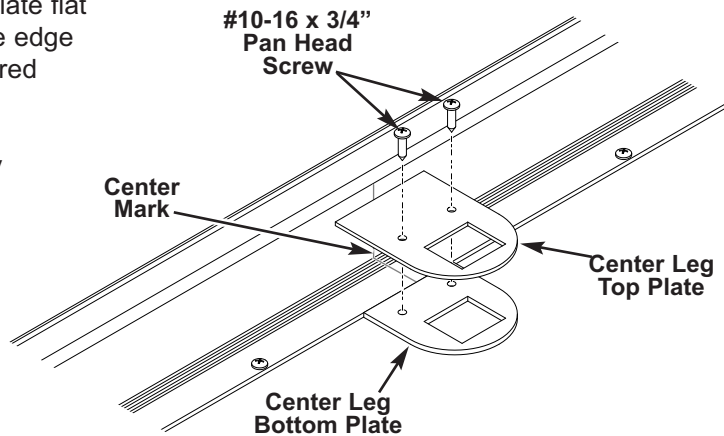
Note: Please read and understand the instructions before starting the assembly or installation.
Note: If you need additional information, contact Wenger Corporation using the information below.

To attach the Center Leg Kit to a StageTek Platform Deck:

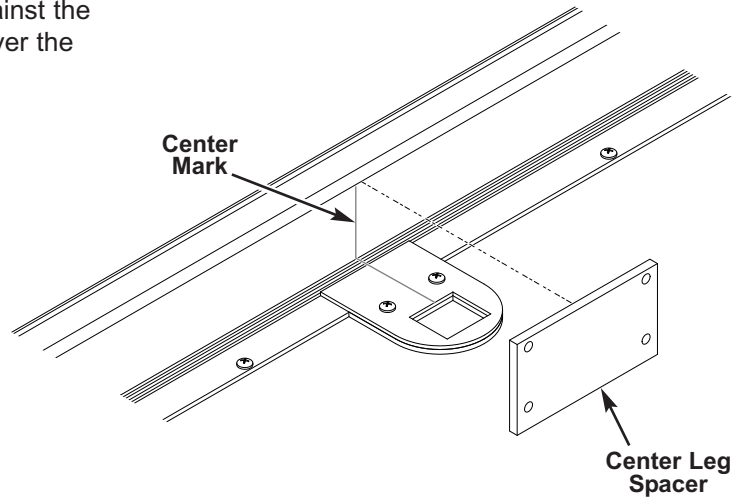
1. On the underside of the Platform Deck, measure along the Aluminum Center Rail to find the center and mark the location as shown.



2. Place the Center Leg Bottom Spacer Plate flat on the deck surface to be flush with the edge of the Aluminum Center Rail and centered on the center mark as shown.
3. Place the Center Leg Top Plate directly on top of the Center Leg Bottom Plate, aligning the pre-drilled holes.
4. Secure the Center Leg Bottom Plate and the Center Top Plate to the deck surface using two #10-16 x 3/4" Pan Head Screws.

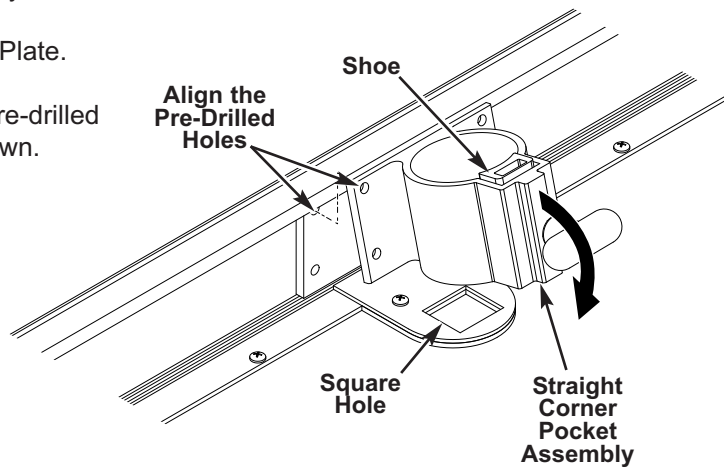


5. Place the Center Leg Spacer flush against the Aluminum Center Rail and centered over the center mark as shown.

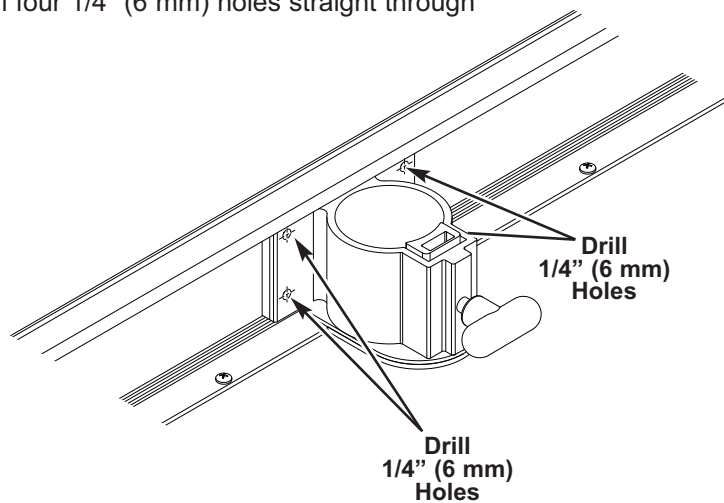


6. Tilt the Straight Corner Pocket Assembly to fit the bottom of the Shoe into the square hole of the Center Leg Bottom Plate.

Then tip it down to align the with the pre-drilled holes in the Center Leg Spacer as shown.

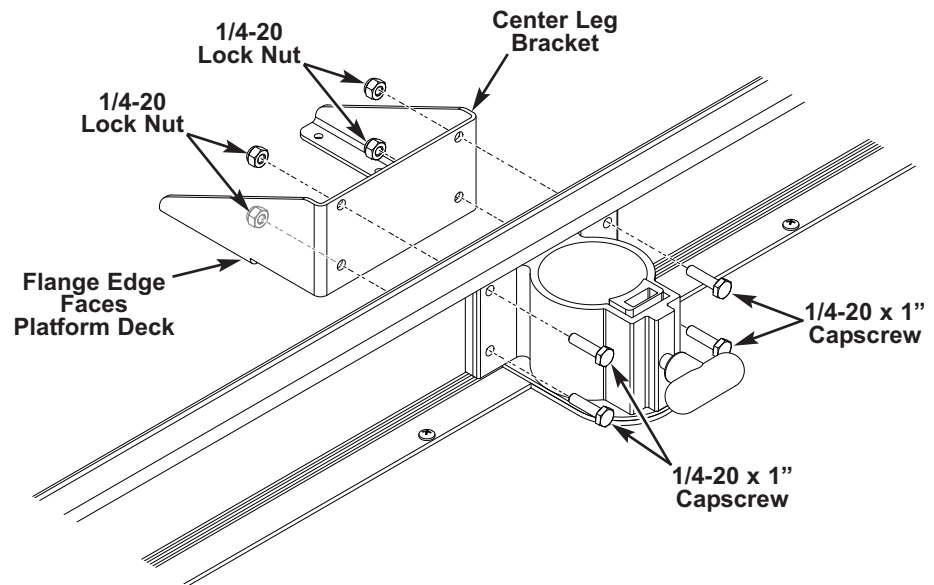


7. Using the aligned sets of pre-drilled holes in the Straight Corner Pocket Assembly and Center Leg Spacer as a guide, drill four 1/4" (6 mm) holes straight through the Aluminum Center Rail.



8. With the flange side facing the Platform Deck, align the pre-drilled holes in the Center Leg Bracket with the holes that were just drilled in the Aluminum Center Rail.

Attach these components together using four 1/4-20 x 1" Capscrews and 1/4-20 Lock Nuts as shown.



9. Attach the Center Leg Bracket to the Platform Deck surface using four #10-16 x 3/4" Pan Head Screws through the pre-drilled holes.

