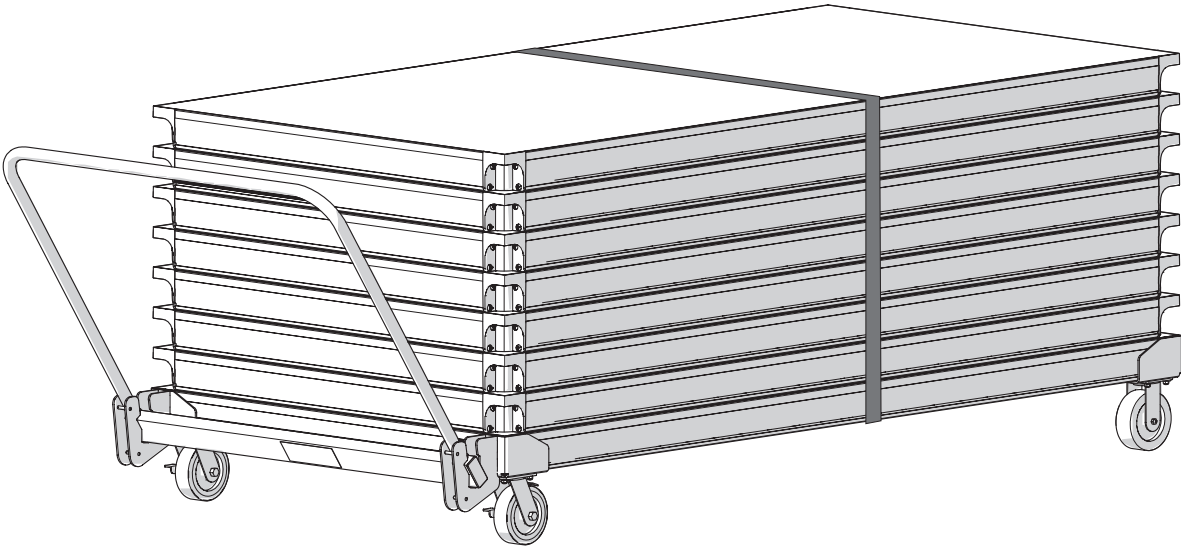


Basic Instructions only!
For Replacement Parts and more detailed product information,
refer to the StageTek™ Owner's Manual 280A099.

⚠ CAUTION
*Make sure anyone Assembling or
installing this component has read
and understands these instructions.*

⚠ CAUTION
*Always comply with the Cautions
and Warnings in the instructions or
posted on the equipment.*

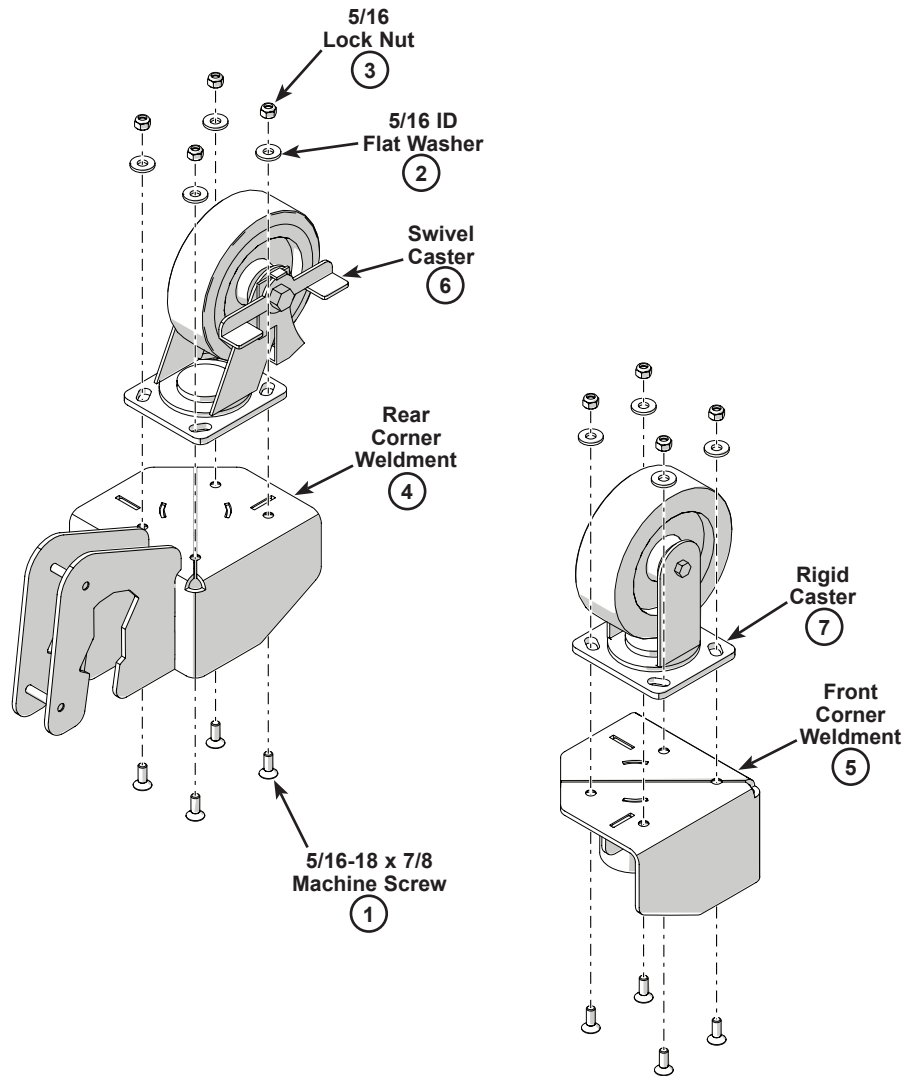


Visit the StageTek web page at www.wengercorp.com.

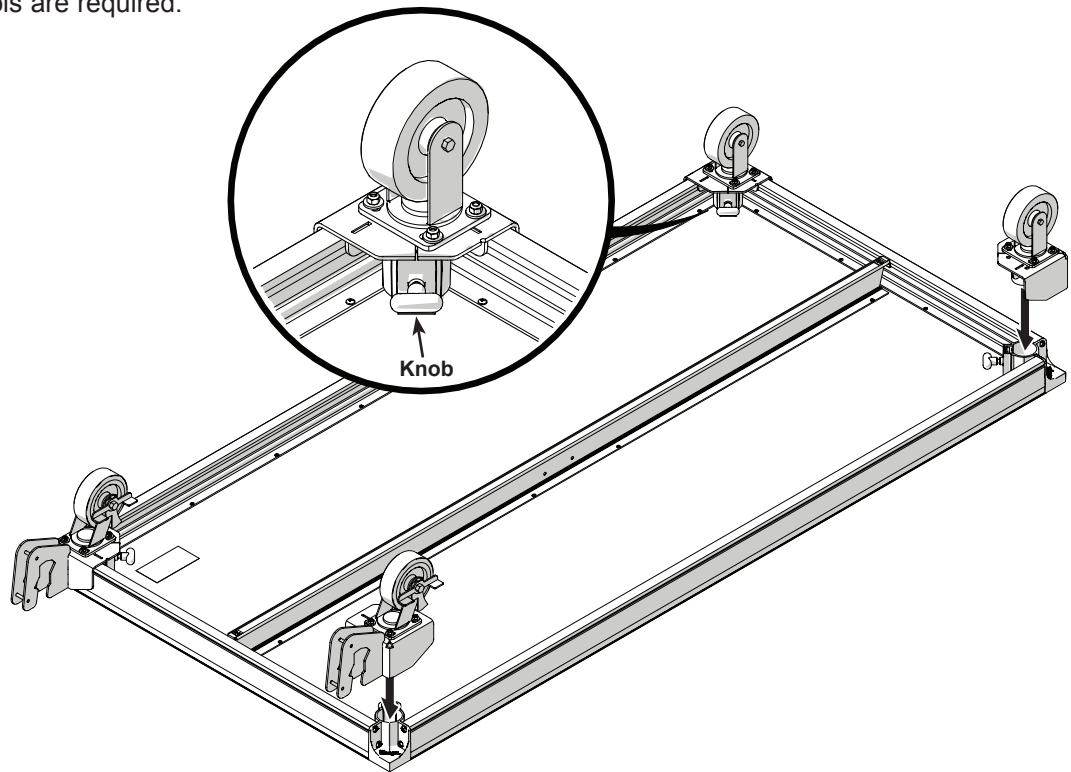
Note: Please read and understand these instructions before starting the installation.
Note: Examine the illustrations on the following pages. If you need additional information,
contact Wenger Corporation using the information below.

IMPORTANT: A 3/16" Allen Wrench and a 1/2" Hex Wrench or Socket are required for assembly.

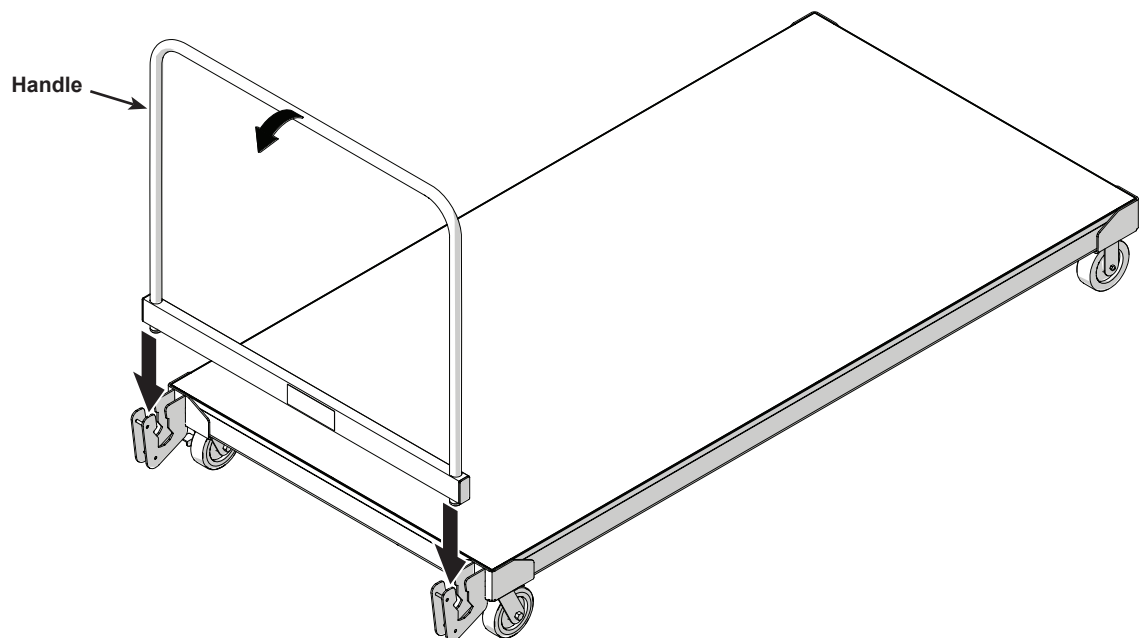
1. Attach one Swivel Caster (#6) to both of the Rear Corner Weldments (#5) and one Rigid Caster (#7) to both of the Front Corner Weldments (#5) using four 5/16-18 x 7/8 Machine Screws (#1), 5/16 ID Flat Washers (#2) and 5/16-18 Lock Nuts (#3) as shown.



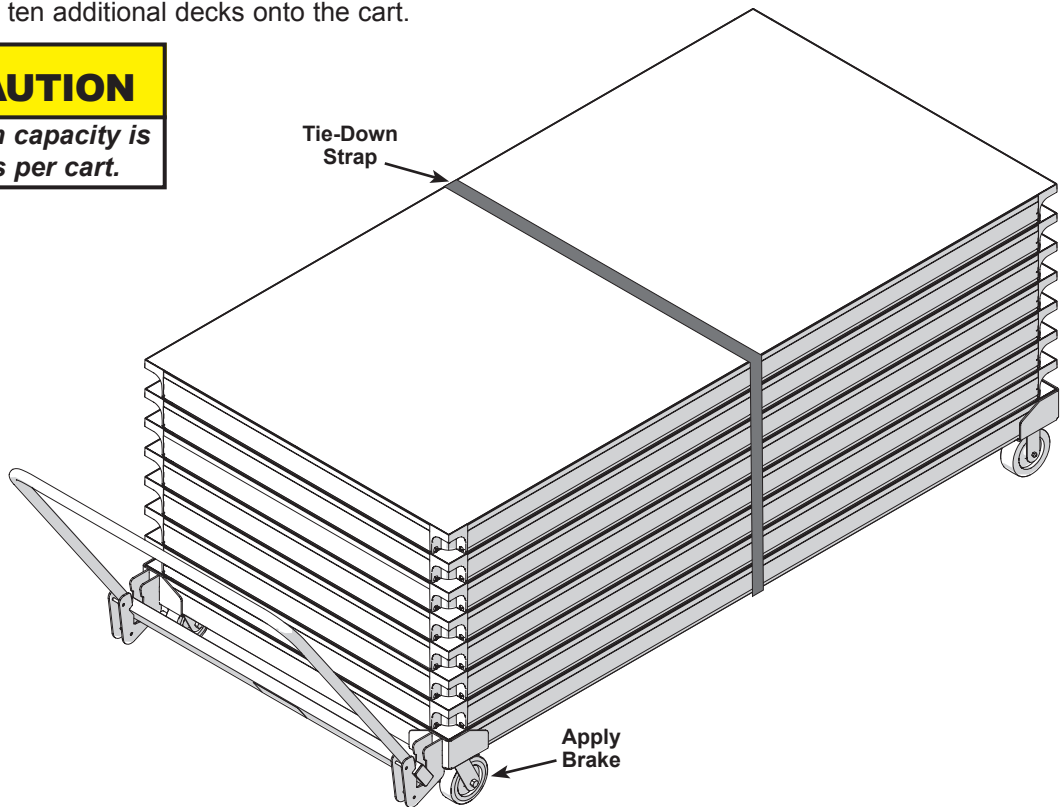
2. Attach each of the Corner Weldments to the underside of a StageTek Rectangular Deck.
 - a. Slide the Corner Weldments into the Deck Pocket Assemblies.
 - b. Secure each Corner Weldment by hand tightening the Knob on every Pocket Assembly. No tools are required.



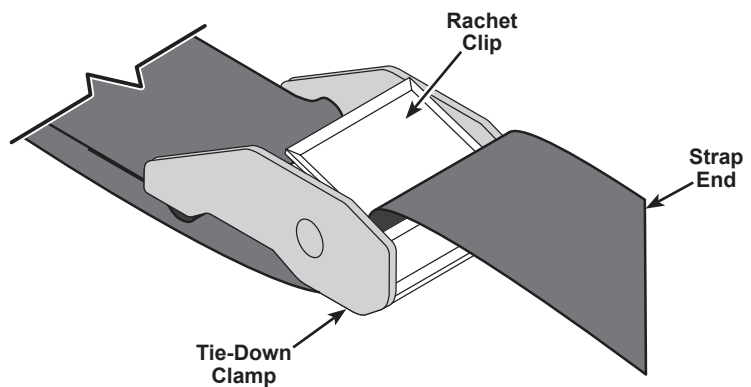
3. Turn the deck over onto the Casters.
4. Insert the Handle into the Rear Corner Weldments and let it tip forward.



5. Apply the Brake on both Swivel Casters before loading or unloading the cart
6. Load up to ten additional decks onto the cart.



7. Secure the decks using the Tie-Down Strap.
 - a. Pull the Strap around the decks and back to the Tie-Down Clamp.
 - b. Push on the Ratchet Clip and feed the Strap End through as shown.
 - c. Release the Ratchet Clip and pull the Strap End to be snug.



8. To release the Strap, Push on the Ratchet Clip and pull the Strap loose.