



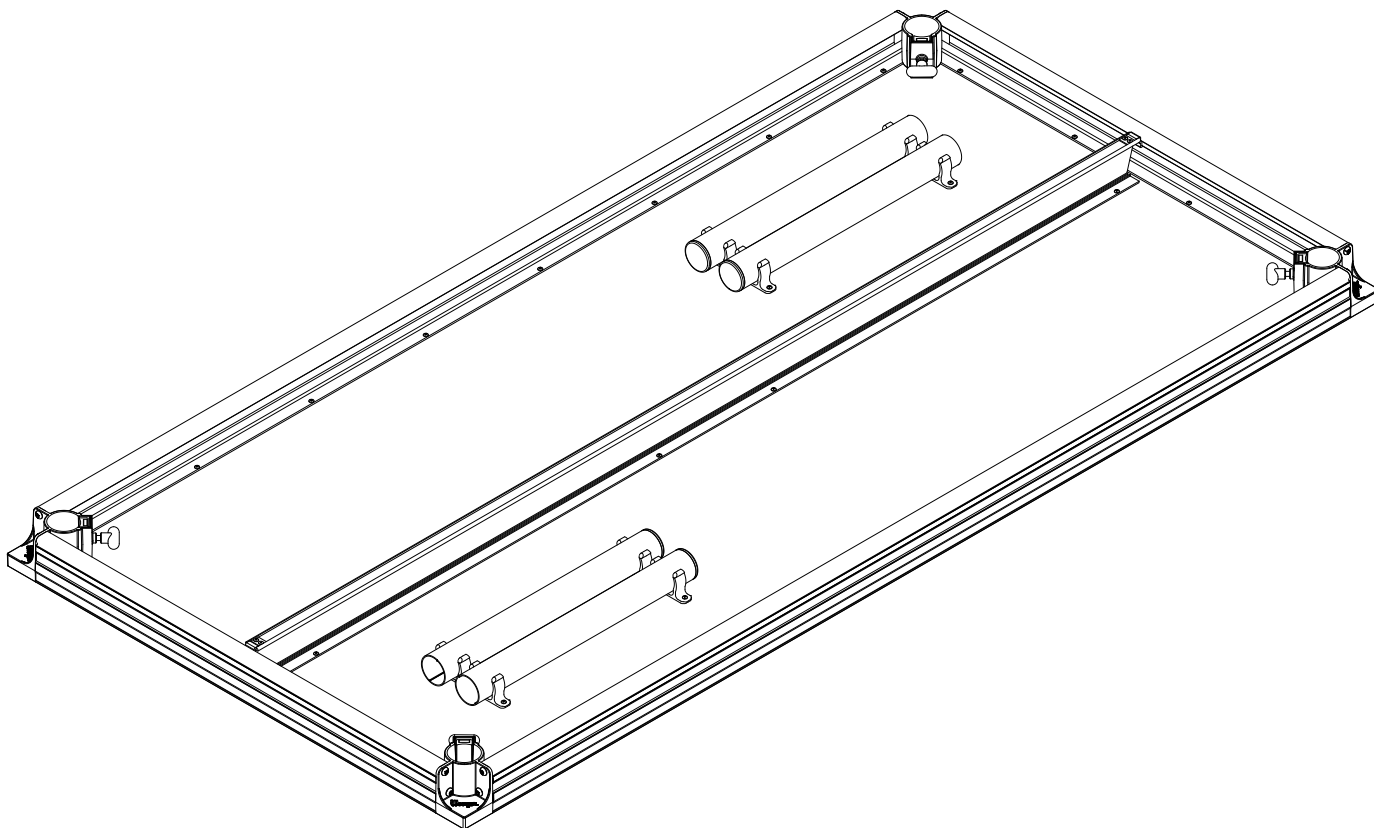
Your Performance Partner

# Assembly Instructions StageTek™ Leg Retention Clip

**Basic Instructions only!**  
For Replacement Parts and more detailed product information,  
refer to the StageTek™ Owner's Manual 280A099.

**CAUTION**  
*Make sure anyone assembling or installing the StageTek component has read and understands the instructions.*

**CAUTION**  
*Always comply with Warnings or Cautions in the instructions or posted on the equipment.*

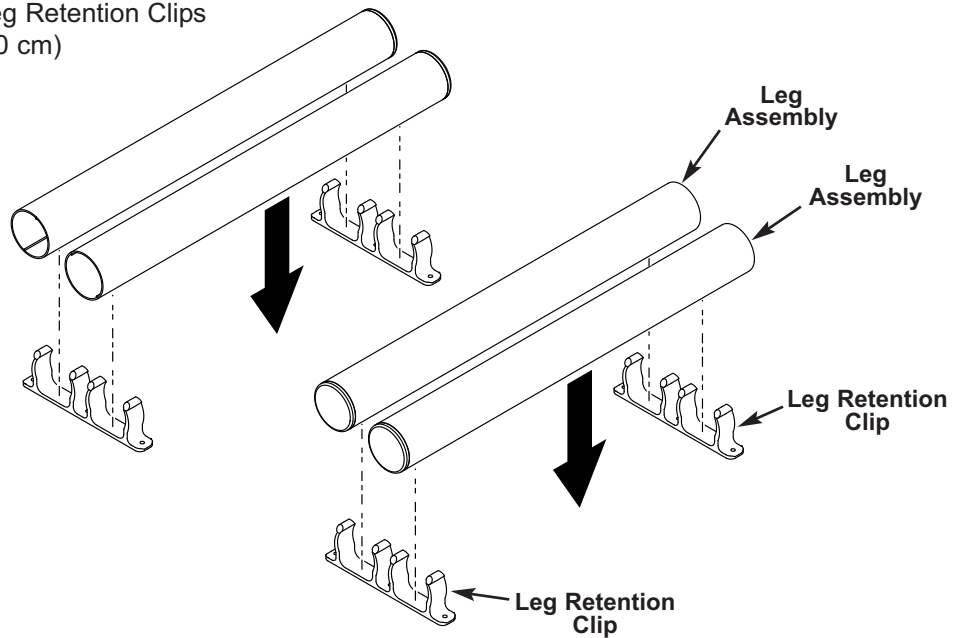


Visit the StageTek web page at [www.wengercorp.com](http://www.wengercorp.com) for detailed instructions and videos.

**Note:** Please read and understand the instructions before starting the assembly or installation.  
**Note:** If you need additional information, contact Wenger Corporation using the information below.

To attach the Leg Retention Clip to a StageTek Platform Deck:

1. Snap two Leg Assemblies into two Leg Retention Clips leaving approximately 2" to 4" (5 to 10 cm) hanging over each end as shown.



2. Position each set of Leg Retention Clips and Leg Assemblies on the underside of the Platform Deck.  
Chose a location that will allow adequate space for removing or attaching the Leg Assemblies without interference from other components of the Stage Deck.
3. Attach each of the Leg Retention Clips to the Platform Deck using three #10-16 x .75" Pan Head Screws.

