



Assembly Instructions StageTek® Mid-Aisle Handrail

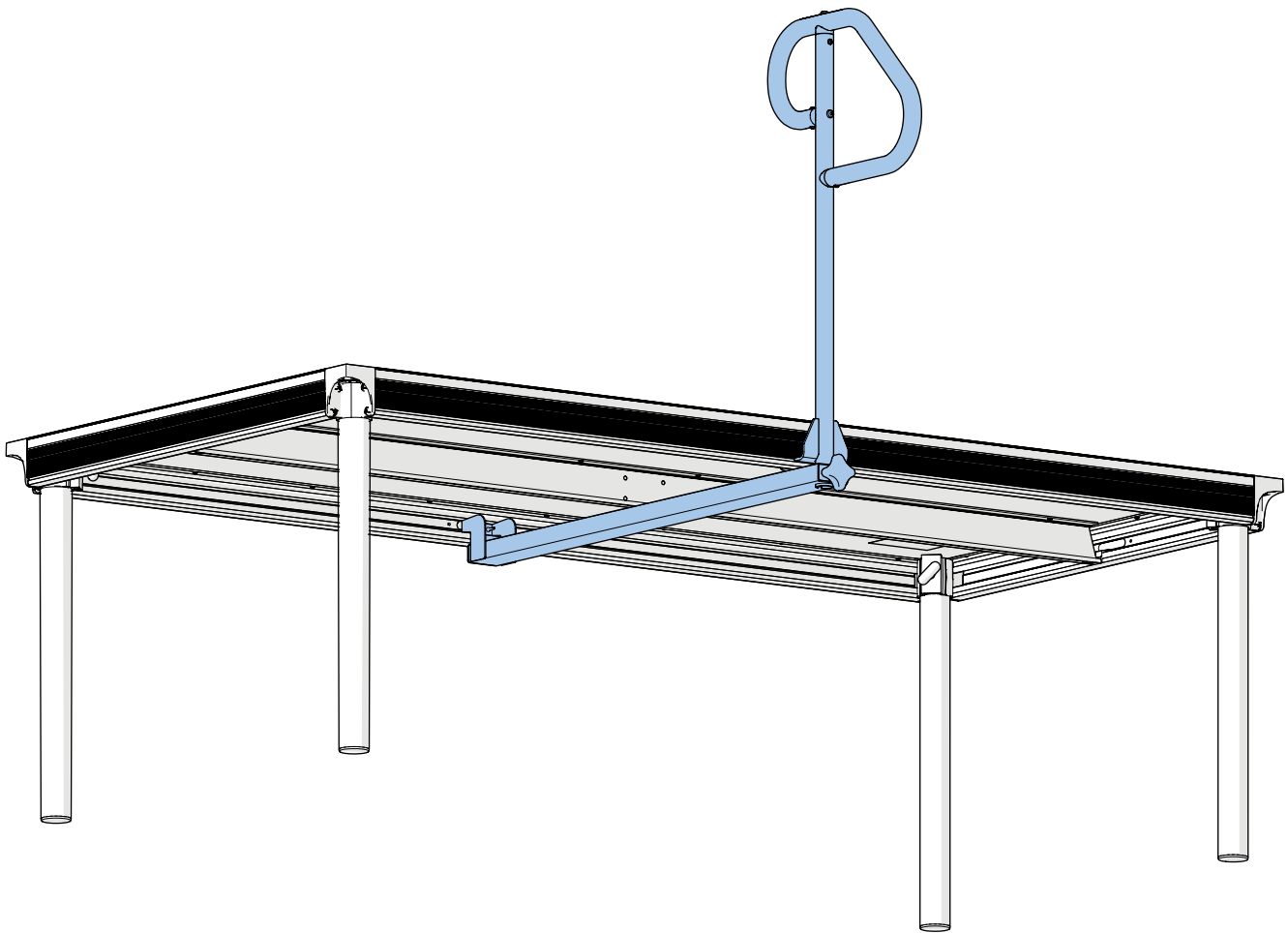
Basic Instructions to be used the StageTek® Mid-Aisle Handrail only!
For Replacement Parts and more detailed product information,
refer to the StageTek Owner's Manual 280A099.

⚠ CAUTION

Make sure anyone assembling or installing the StageTek component has read and understands the instructions.

⚠ CAUTION

Always comply with Warnings or Cautions in the instructions or posted on the equipment.



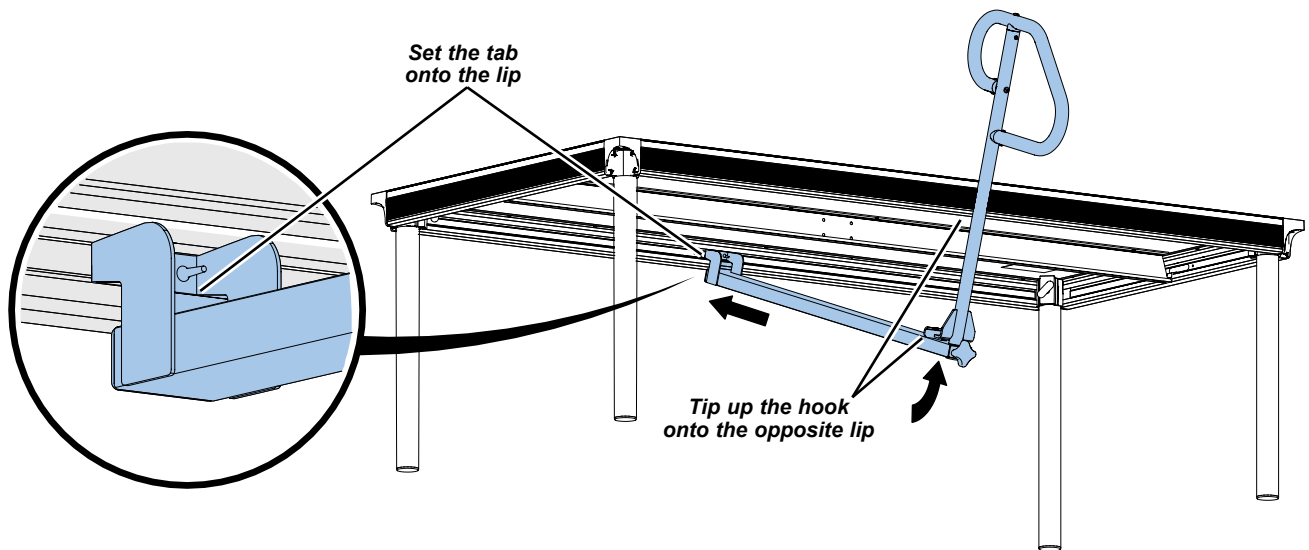
Visit the StageTek web page at wengercorp.com for detailed instructions and videos.

Note: Please read and understand these instructions before installing.

Note: If you need additional information, contact Wenger Corporation using the information below.

Assembly

1. Set the tab at the end of the handrail onto the lip at the underside of the deck frame.
2. Tip the opposite end of the handrail up to position the hook onto lip at the opposite underside of the deck frame.



3. **With the handrail square to the deck frame:**

Tighten the handle to secure both the hook against the inside deck frame and the front bracket into the channel at the bottom of outside deck frame.

Hand-tighten only!

