

**Basic Instructions only!**

For Replacement Parts and more detailed product information,  
refer to the StageTek™ Owner's Manual 280A099.

**⚠ CAUTION**

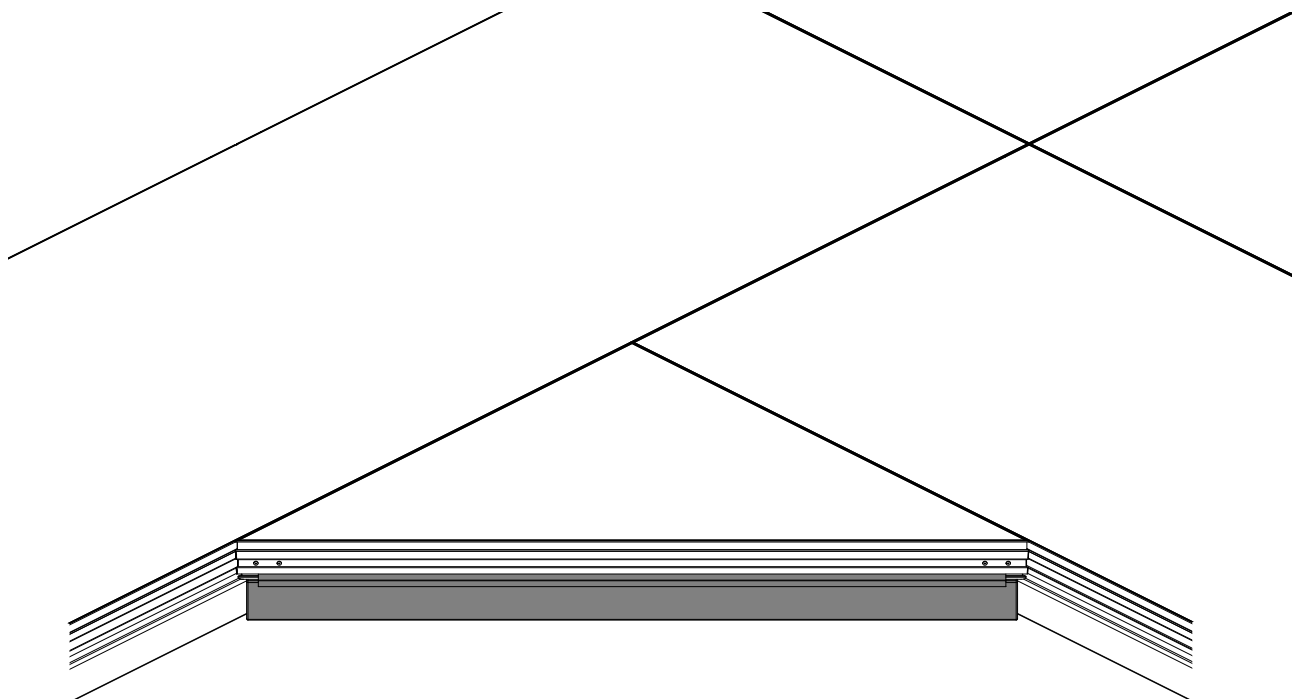
*Make sure anyone assembling or installing the StageTek component has read and understands the instructions.*

**⚠ CAUTION**

*Always comply with Warnings or Cautions in the instructions or posted on the equipment.*

**⚠ CAUTION**

*Do not use Tri Corner Decks without connecting it to another deck as shown in these instructions.*



Visit the StageTek web page at [www.wengercorp.com](http://www.wengercorp.com) for detailed instructions and videos.

**Note:** Please read and understand the instructions before starting the assembly or installation.

**Note:** If you need additional information, contact Wenger Corporation using the information below.

To attach a Tri Closure Panel to a StageTek Platform:

1. The frame of the Tri Corner Deck must be attached to the frame of an adjacent deck using a StageTek to Versalite Connector.

The end of the already attached Closure Panel may need to be cut off as shown to fit the Connector.

*It is recommended that the Tri Corner Deck be attached to Deck #1 before Deck #2 especially on lower elevation decks.*

2. The Tri Closure Panel is clipped into position using the same procedure as the other Closure Panels.

