

3-Step Stairways

CONTENTS

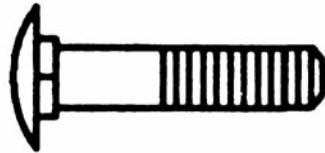
Fasteners	2
Required Tools	2
Parts List	2
Assembly	3
Operation	5

- Note:** Please read and understand this entire manual before starting to assemble the Stairway.
- Note:** Remove all items from the shipping carton and place items in their approximate final position. Refer to the illustrations on the following pages. If you need additional information about your Stairway, write or telephone Wenger Corporation at the number below.
- Note:** The 2-, 3-, and 4-Step Stairways are used with Wenger Versalite®, Trouper™, and Stagehand™ platform systems.

FASTENERS



(6) Hex Nut, 5/16-18



(7) Carriage Bolt, 5/16-18x1-1/2"



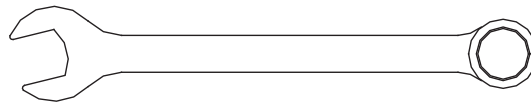
(8) Hex Head Self-tapping Screw, 1/4-20x3/4"



(9) Lock Washer, 5/16"

REQUIRED TOOLS

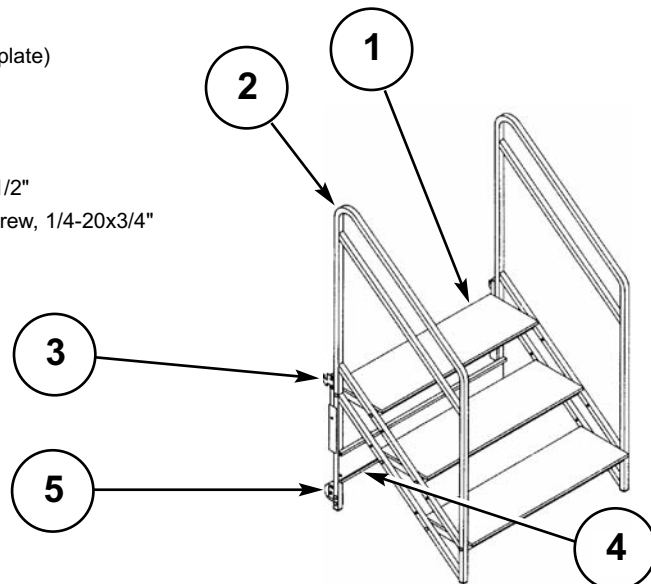
Tools required for assembly are a 1/2" and 3/8" open end wrenches (or socket and ratchet).



1/2" and 3/8" open end wrench

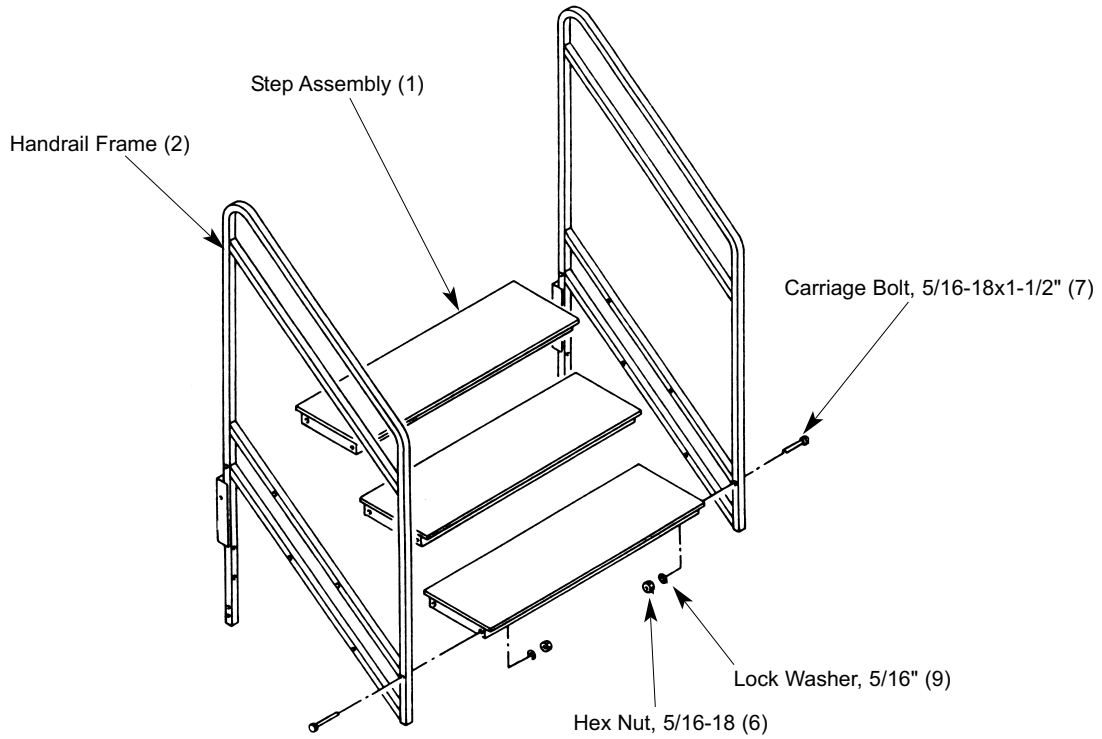
PARTS LIST

Item	Quantity			Description
	2-Step	3-Step	4-Step	
1	2	3	4	Step Assembly
2	2	2	2	Handrail Frame Assembly
3	2	2	2	Hook Tube (with notched plate)
4	1	1	1	Cross Brace
5	2	2	2	Wheel Assembly
6	12	16	20	Hex Nut, 5/16-18
7	12	16	20	Carriage Bolt, 5/16-18x1-1/2"
8	4	4	4	Hex Head Self-tapping Screw, 1/4-20x3/4"
9	12	16	20	Lock Washer, 5/16"

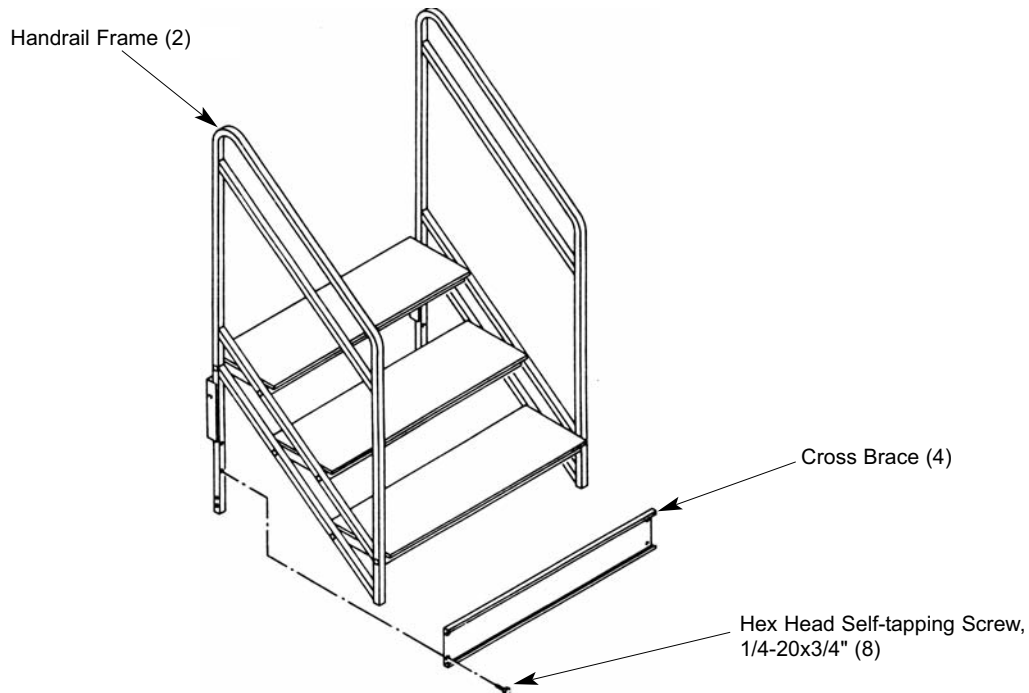


ASSEMBLY

1. Attach the Step Assemblies (1) to the Handrail Frames (2) with four Carriage Bolts (7), four Hex Nuts (6), four Lock Washers (9). The Hex Nuts (6) and Lock Washers (9) must be assembled on the inside of the Handrail Frame.

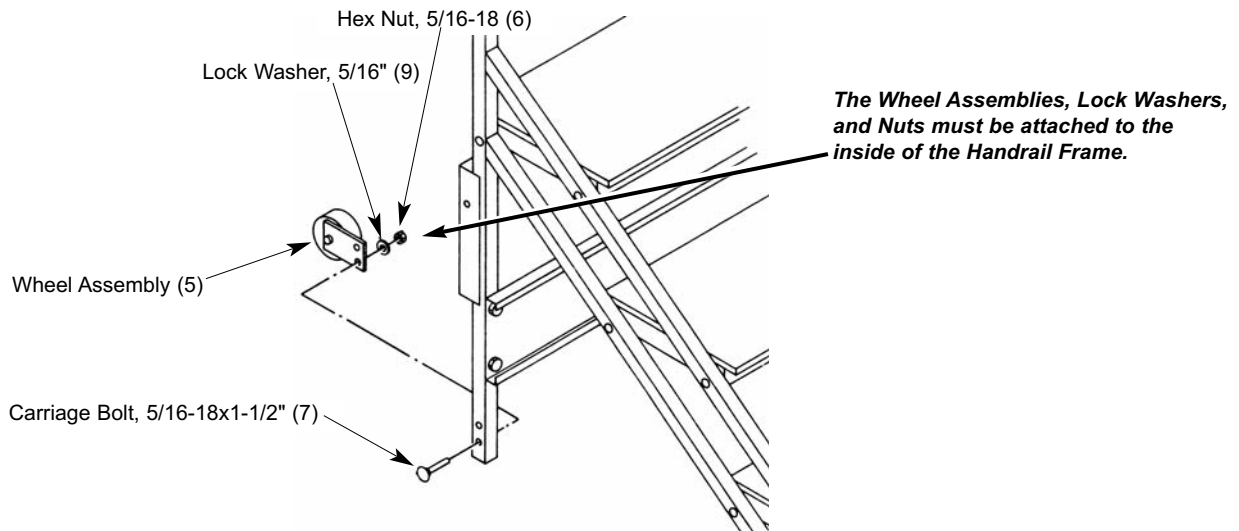


2. Attach the Cross Brace (4) to the Handrail Frames (2) with two Hex Head Self-tapping Screws (8).

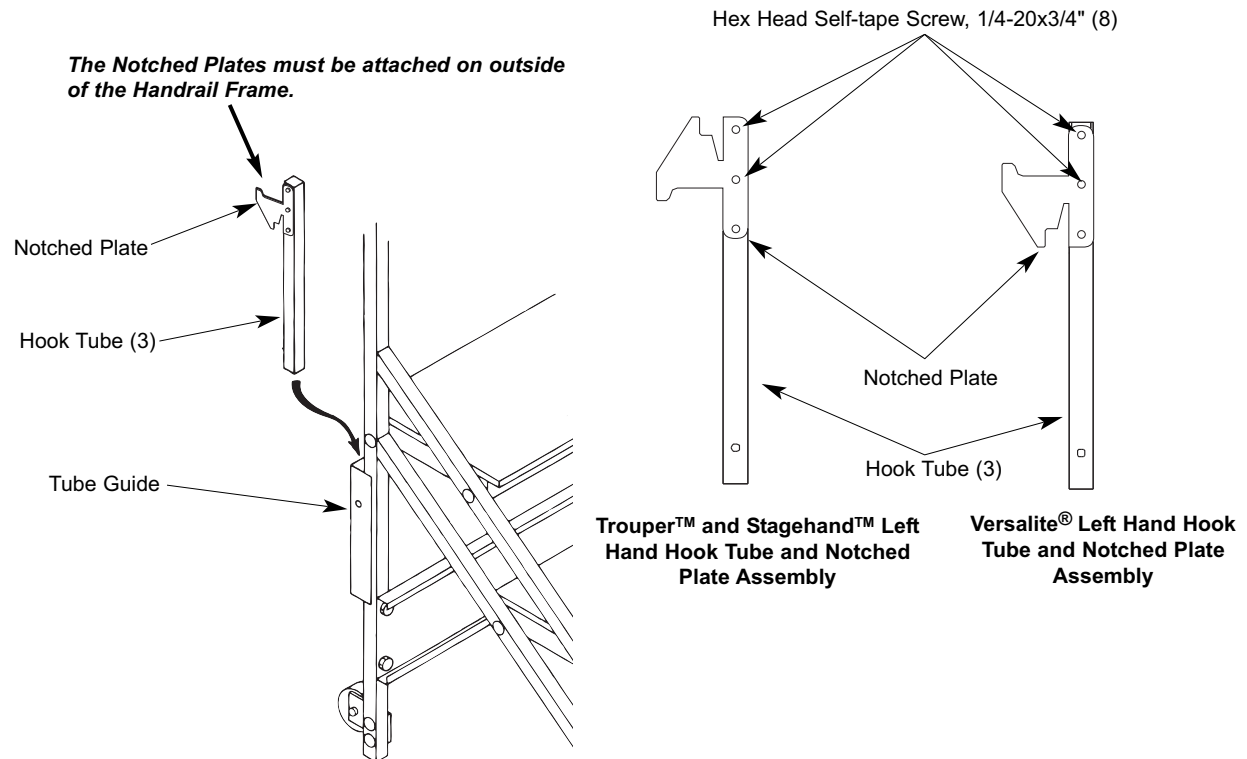


ASSEMBLY CONTINUED

- Attach two Wheel Assemblies (5) with four Carriage Bolts (7), four Hex Nuts (6), four Lock Washers (9).

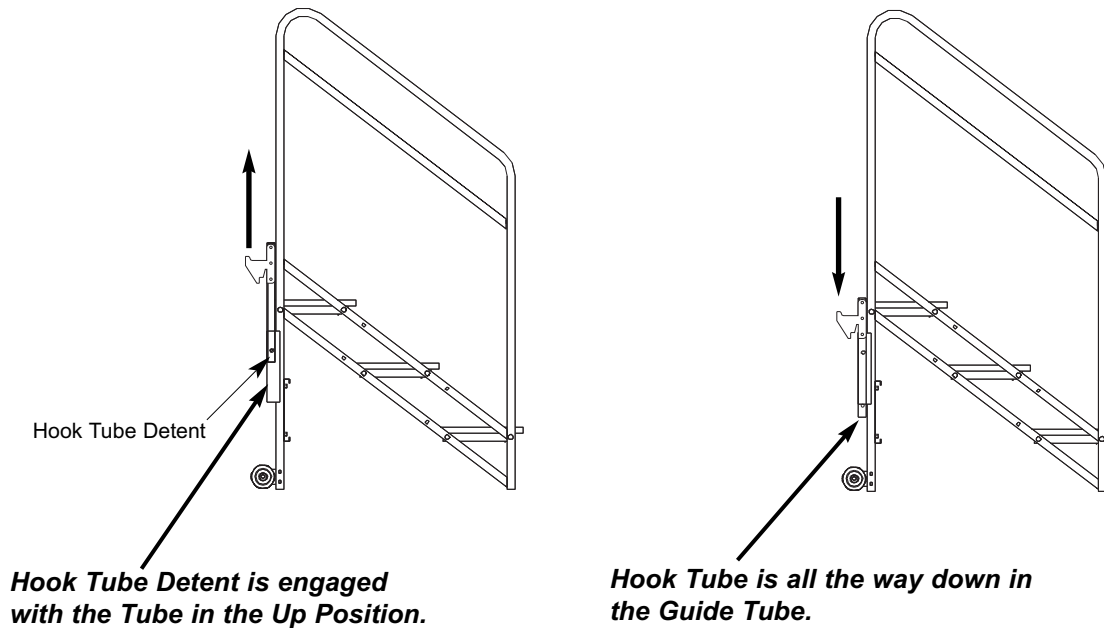


- Remove the Hook Tubes (3) from the shipping position.
- Attach the Notched Plates to the Hook Tubes (3). Refer to illustration below for the Notched Plate orientation. Use two Hex Head Self-Tapping Screws (8) for each Notched Plate.
- Insert the Hook Tubes (3) into the Tube Guides with the Notched Plates on the outside of the Handrail Frames.



OPERATION

1. Adjust the Hook Tube and Notched Plate to match the stage height.
 - a. **Up Position** — pull the Hook Tube upward until the Detent in the Hook Tube engages the hole in the Tube Guide.
 - b. **Down Position** — push the Hook Tube downward until the Notch Plate contacts the Tube Guide.



2. With the Notched Plate adjusted to the Stage height, tilt the Stairway about 15-degrees and engage the Notched Plate with the Stage Edging.

