

# Stringed Instrument Mobile Storage Racks

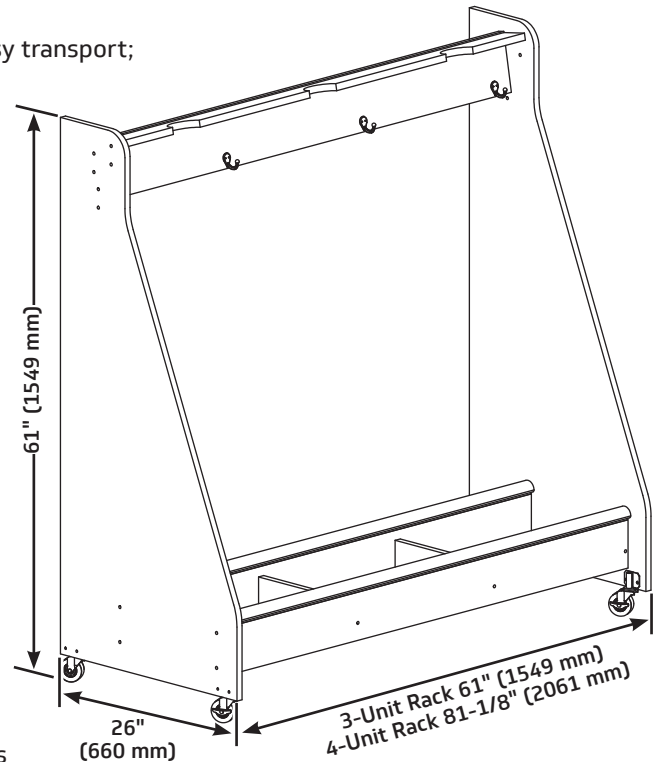
- End panels are 3/4" (19 mm) thick industrial grade composite wood with no added formaldehyde and polyester laminate finish in Wenger standard colors
- Edging is 1/8" (3 mm) radiused PVC
- Racks have 2-1/2" (64 mm) swivel casters in yellow zinc finish for easy transport; front casters are locking
- UL GREENGUARD certified - product certified for low chemical emissions: [ul.com/gg](http://ul.com/gg) - UL 2818
- Environmental attributes and LEED compliance for our products can be found at [wengercorp.com/GREEN](http://wengercorp.com/GREEN) or by contacting your Wenger representative
- Ten-year warranty
- Assembly required

## String Bass and Cello Racks

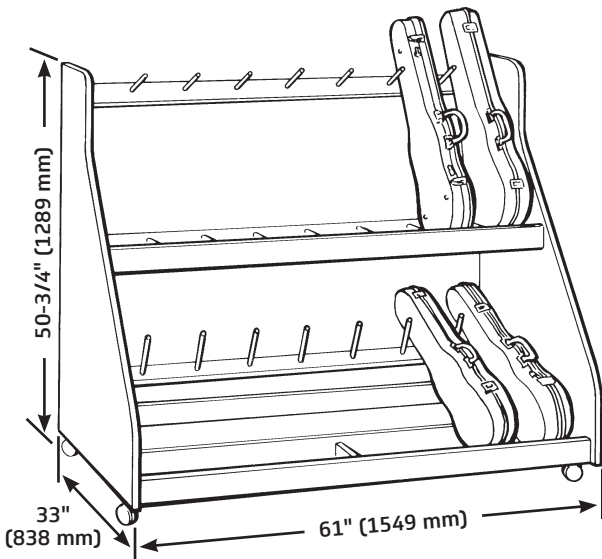
- 3-Unit String Bass Rack: 148J003.\_ 73 lb (33 kg)
- 4-Unit String Bass Rack: 148J004.\_ 83 lb (38 kg)
- 4-Unit Cello Rack: 148J001.\_ 55 lb (25 kg)
- 6-Unit Cello Rack: 148J002.\_ 66 lb (30 kg)
- Lower cross supports are plywood core laminated panels with flexible soft PVC edging to protect instruments
- Upper cross supports are plywood core laminated panels with PVC bonded edging to protect instruments
- All racks include brass bow pegs
- Holds uncased instruments 1/4 sized and up

## Violin/Viola Rack

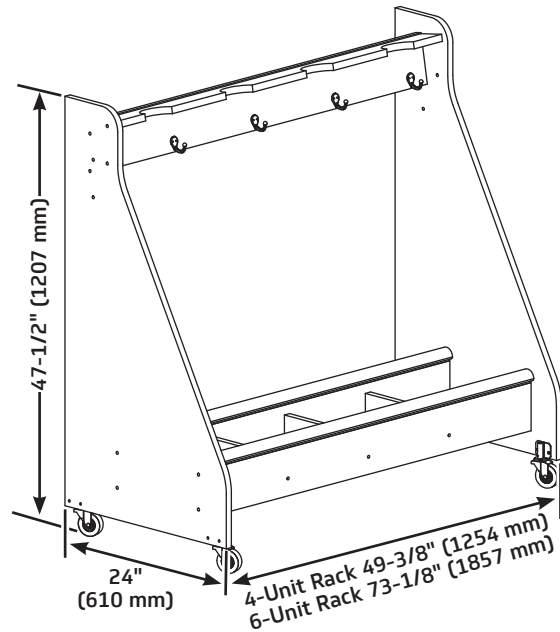
- 148J005.\_ 92 lb (42 kg)
- Double-tiered rack moves and stores up to sixteen cased instruments
- Cross supports are constructed of plywood core laminated panels with PVC bonded edging on top and bottom supports
- Holds cased instruments 1/2 size and up
- Spacer pegs are solid wood



**3-Unit String Bass Rack**



**Violin/Viola Rack**



**4-Unit Cello Rack**

