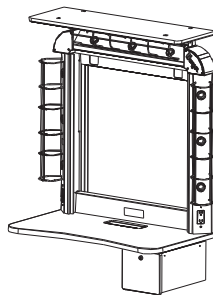




Your Performance Partner

Installation Instructions Studio® Makeup Station Drawer Option



Studio Makeup Station with Drawer Option

CONTENTS

Fasteners and Part List	2
Fasteners.....	2
Part List	2
Required Tools.....	2
Installation.....	3
Before Starting the Assembly	3
Install the Drawer	3
Warranty	7

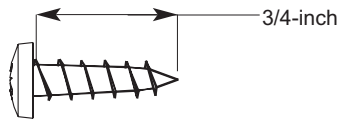
Note: Please read and understand the Studio Makeup Station Drawer Option Installation Instructions before assembling the parts.

Note: Refer to the illustrations on the following pages. If you need additional information about your Studio Makeup Station Drawer Option, write, email, or telephone Wenger Corporation at the number or address below.

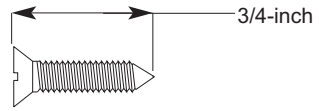
Note: Document each Studio Makeup Station Drawer key number or keep a master key for each Drawer Lock. Without this information keys cannot be replaced, because each Studio Makeup Station Drawer is keyed differently.

FASTENERS AND PART LIST

FASTENERS



Phillips Pan Head Sheet Metal Screw, 10x3/4-inch

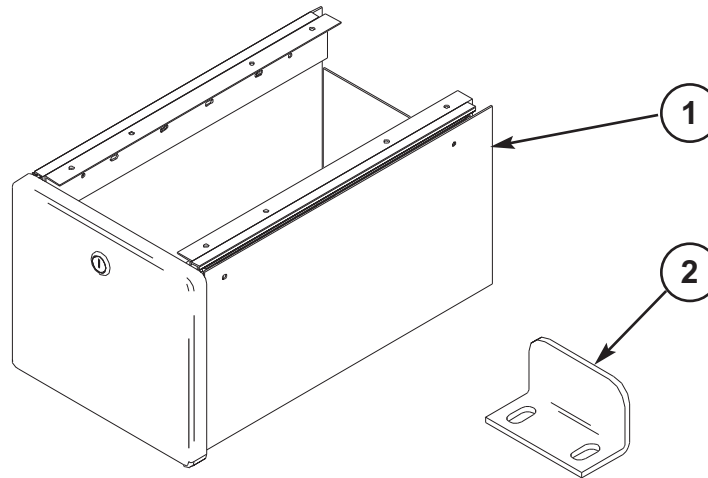


Phillips Flat Head Sheet Metal Screw, #8x3/4-inch

PART LIST

Item	Qty.	Description
1	1	Drawer
2	1	L-Bracket**
3	9	Phillips Pan Head Sheet Metal Screw, 10x3/4-inch **
4	3	Phillips Flat Head Sheet Metal Screw, #8x3/4-inch **
5	1	Lock Assembly Key Set (not shown) **

** Contained in the Hardware Kit Bag



REQUIRED TOOLS

The installer must supply the tool shown below (a phillips screwdriver).



Phillips Screwdriver

INSTALLATION

BEFORE STARTING THE ASSEMBLY

Before installing the Studio Makeup Station Drawer Option, do the following.

1. Read and understand this entire installation instruction.
2. Open the shipping container and make sure that it contains a Drawer and a Hardware Pack with one L-Bracket, a set of keys for the Lock, 9 Pan Head Screws and 3 Flat Head Screws.
3. Remove the Keys from the Hardware Pack and place one key in a safe place.

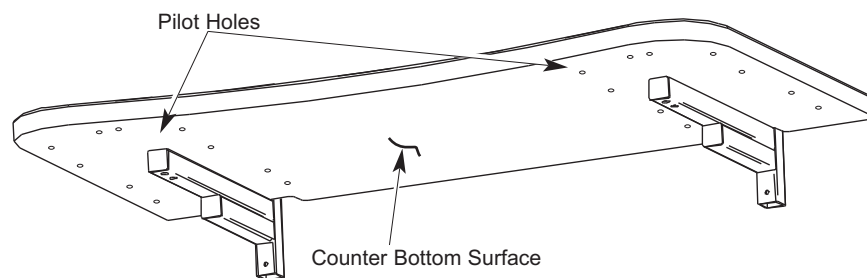
Note: Document each Studio Makeup Station Drawer key number or keep a master key for each Drawer Lock. Without this information keys cannot be replaced, because each Studio Makeup Station Drawer is keyed differently.

Danger! *Never remove the Counter to install the Drawer. Removing the Counter exposes live electrical wires. Contact with these wires can result in electrical shock, serious injury, death, or damage to property.*

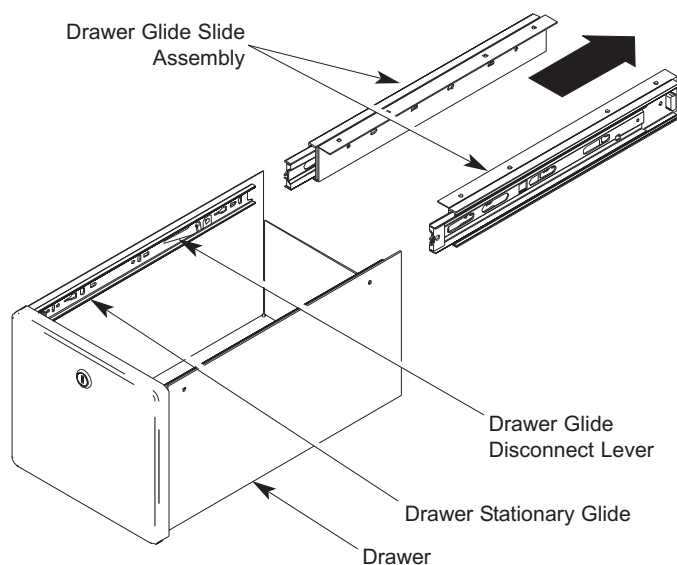
Warning: *Always wear safety glasses when installing the Studio Makeup Station Drawer Option. Failure to observe this precaution can result in serious injury.*

INSTALL THE DRAWER

1. Locate the ten pre-drilled pilot holes on the bottom-right and bottom-left side of the Counter.
2. Choose the right or left side of the Counter for the Drawer assembly.



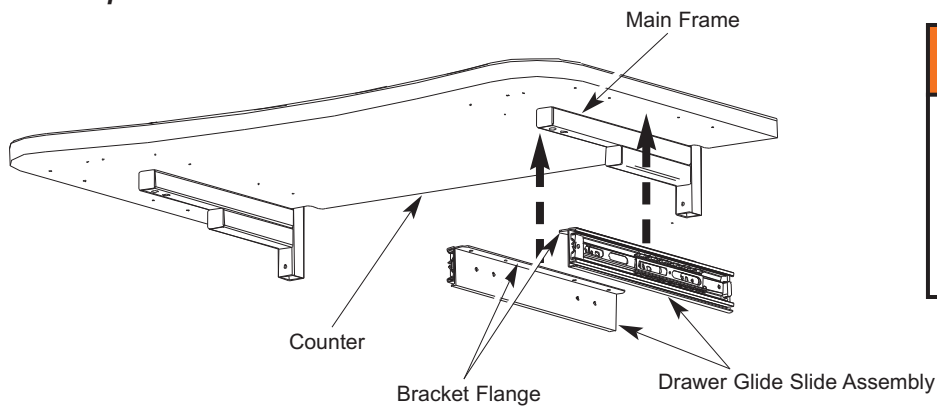
3. Remove both Drawer Glide Slide Assemblies from the Drawer as follows.
 - a. Pull a Drawer Glide Slide Assembly outward as far as it will move.
 - b. Depress the Drawer Disconnect Lever and remove the Drawer Glide Slide Assembly from the Drawer Stationary Glide.
 - c. Set the Drawer Glide Slide Assembly aside.
 - d. Remove the other Drawer Glide Slide Assembly by repeating steps a, b, and c.



INSTALLATION CONTINUED

INSTALL THE DRAWER CONTINUED

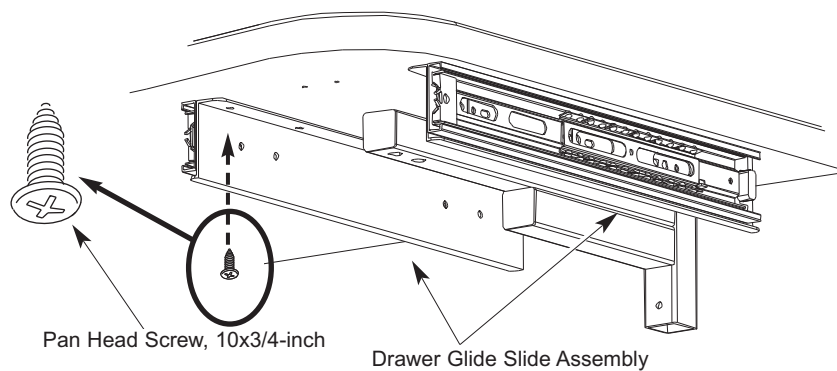
4. Align the mounting holes of a Drawer Glide Slide Assembly to a set of Pilot Holes on the bottom side of the Counter. **Make sure that the Bracket Flange faces the Main Frame and that the Glide opens outward.**



WARNING

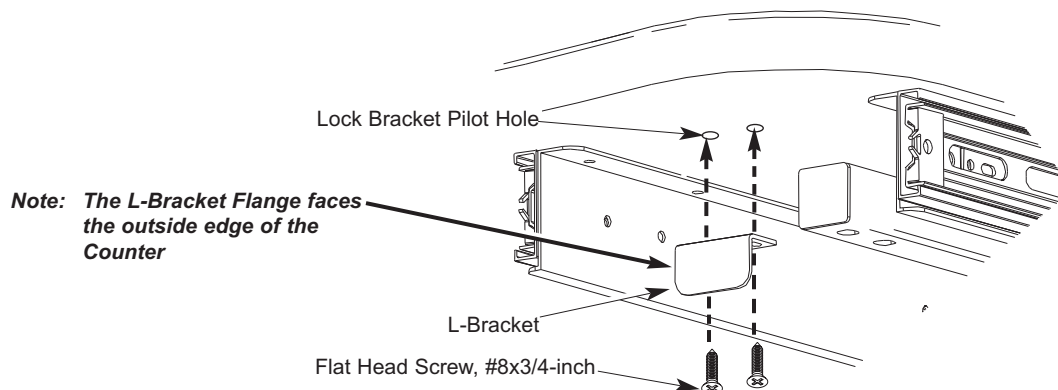
Do not remove the Counter to install the Drawer. Serious electrical shock or death can result.

5. Using a phillips screwdriver, attach each Drawer Glide Slide Assembly to the Counter with four Pan Head Screws.



Caution: Tighten the Pan Head Screws only enough to be snug. Over tightening can strip the threads in the Counter

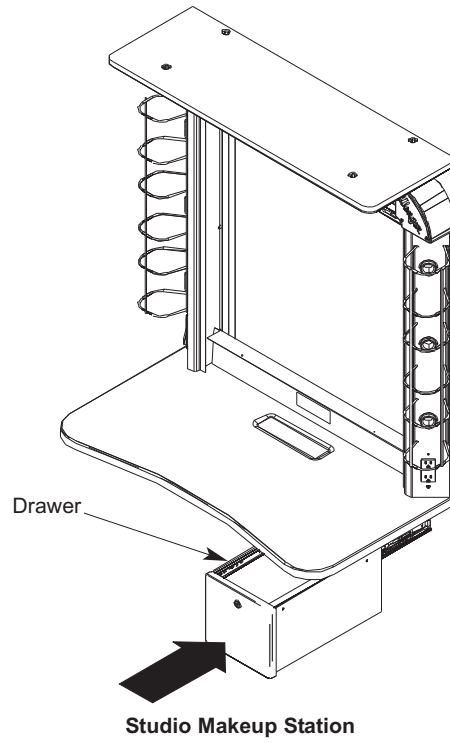
6. Attach the L-Bracket to the Counter by screwing two Flat Head Screws, #8x3/4-inch, into the two Lock Bracket Pilot Holes. **Make sure that the flange faces the outside edge of the Counter.**
- Note:** The L-Bracket may need to be adjusted in or out to fully engage the lock.



INSTALLATION CONTINUED

INSTALL THE DRAWER CONTINUED

7. Insert the Drawer into the Drawer Glide Slide Assemblies.



WARRANTY

The Studio Makeup Station Drawer Option is guaranteed free of defects in materials and workmanship for five full years.

Our guarantee assures you of either a full refund or repair or replacement of the defective materials or workmanship without charge, at the discretion of our Customer Service Department. Just call a Customer Service Representative at 1-800-887-7145 and state the reason you are dissatisfied. If a product return is necessary, your representative will issue a return authorization. This is your sole remedy for breach of this warranty.

Should you have a question or problem with any Wenger product, don't hesitate to call, even if the product is past warranty. It's important to us that all our customers be satisfied.

This is the sole warranty made by Wenger. Wenger disclaims all other warranties, including the warranties of merchantability and fitness for a particular purpose, as well as all liability for incidental, consequential, special, and indirect damage. Wenger liability for direct damages shall be limited to the amount you paid for the product involved. Wenger reserves the right to make product changes without obligation to incorporate such changes into products previously sold.

Some states do not allow the exclusion or limitation of damages or warranties, so the above may not apply to you. This warranty gives you specific legal rights. You may also have other rights which vary from state to state.

This page is intentionally blank.