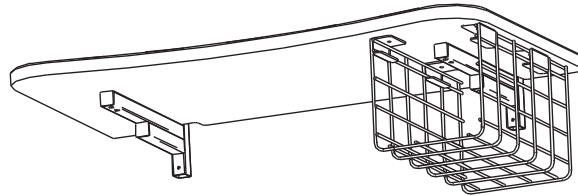




Your Performance Partner

Installation Instructions Studio® Makeup Station Storage Basket Option



Storage Basket

CONTENTS

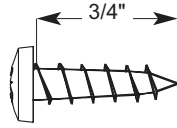
Required Tools	2
Fasteners and Part List	2
Fasteners	2
Part List	2
Installation	3
Before Starting the Assembly	3
Install the Storage Basket	3
Warranty	4

Note: Please read and understand the Studio Makeup Station Storage Basket Option Installation Instructions before assembling the parts.

Note: Refer to the illustrations on the following pages. If you need additional information about your Studio Makeup Station, write, email, or telephone Wenger Corporation at the number below.

FASTENERS AND PART LIST

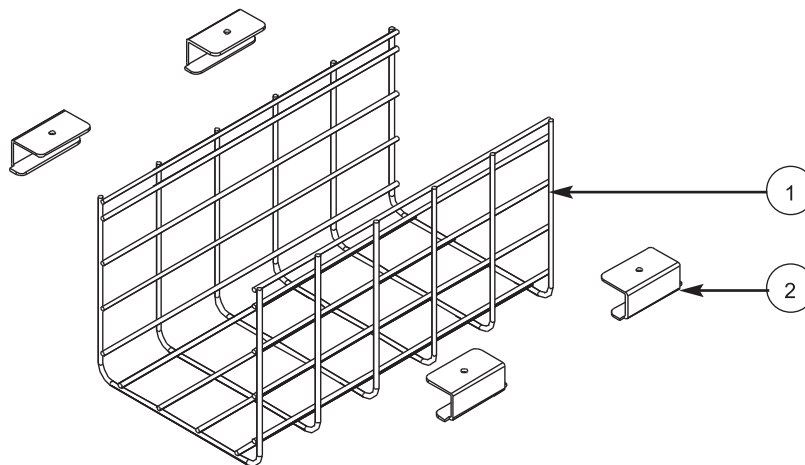
FASTENERS



(3) Phillips Pan Head Sheet Metal Screw, #10x3/4"

PART LIST

Item	Qty.	Description
1	1	Storage Basket
2	4	Clip
3	4	Phillips Pan Head Sheet Metal Screw, 10x3/4"



REQUIRED TOOLS

Tools required for assembly are an 8-inch long blade phillips head screwdriver. An electric screw driver with a long extension can also be used,



Phillips Screwdriver, 8-inch

INSTALLATION

BEFORE STARTING THE ASSEMBLY

Before installing the Studio Makeup Station Storage Basket Option, do the following.

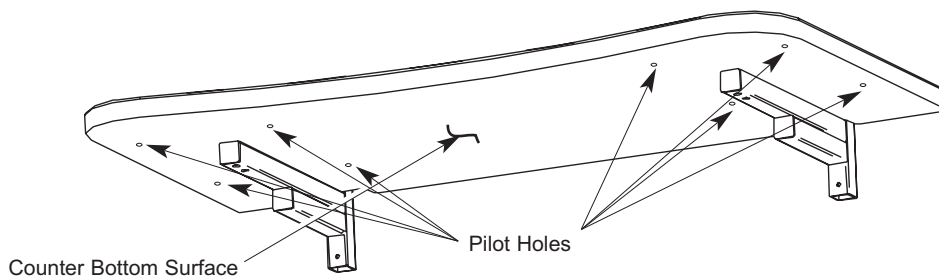
1. Read and understand this installation instruction completely.
2. Make sure that the shipping carton contains a Storage Basket, four Clips, and four screws.

Danger! *Never remove the Counter to install the Storage Basket. Removing the Counter exposes live electrical wires. Contact with these wires can result in electrical shock, serious injury, death, or damage to property.*

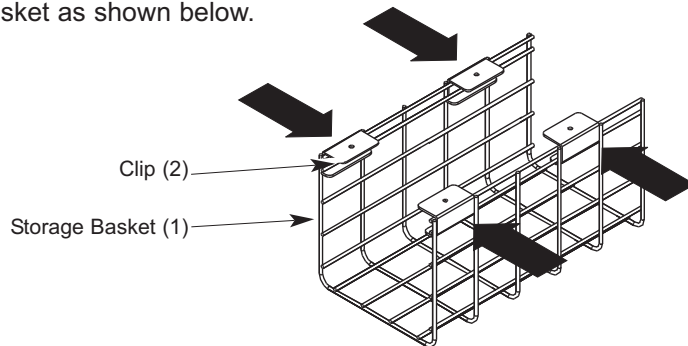
Warning: *Always wear safety glasses when installing the Studio Makeup Station Storage Basket Option. Failure to observe this precaution can result in serious injury.*

INSTALL THE STORAGE BASKET

1. Locate the four pre-drilled pilot holes on the bottom-right or left side of the Counter.

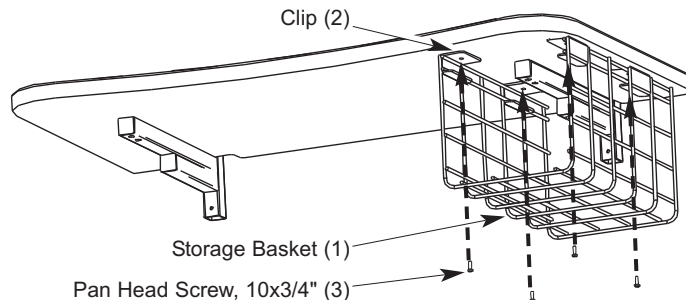
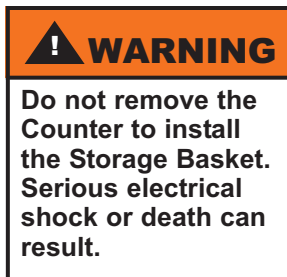


2. Assemble the four Clips to the Storage Basket as shown below.



3. Hold the Storage Basket (1) with the Clips (2) against the bottom of the Counter, aligning the holes in the Clips to the four Pilot Holes.
4. Using an 8-inch Phillips screwdriver, attach the Clips to the Counter with four Pan Head Screws (3).

Caution: *Tighten the Pan Head Screws only enough to be snug. Over tightening can strip the threads in the Counter.*



WARRANTY

The Studio Makeup Station Storage Basket Option is guaranteed free of defects in materials and workmanship for five full years.

Our guarantee assures you of either a full refund or repair or replacement of the defective materials or workmanship without charge, at the discretion of our Customer Service Department. Just call a Customer Service Representative at 1-800-887-7145 and state the reason you are dissatisfied. If a product return is necessary, your representative will issue a return authorization. This is your sole remedy for breach of this warranty.

Should you have a question or problem with any Wenger product, don't hesitate to call, even if the product is past warranty. It's important to us that all our customers be satisfied.

This is the sole warranty made by Wenger. Wenger disclaims all other warranties, including the warranties of merchantability and fitness for a particular purpose, as well as all liability for incidental, consequential, special, and indirect damage. Wenger liability for direct damages shall be limited to the amount you paid for the product involved. Wenger reserves the right to make product changes without obligation to incorporate such changes into products previously sold.

Some states do not allow the exclusion or limitation of damages or warranties, so the above may not apply to you. This warranty gives you specific legal rights. You may also have other rights which vary from state to state.