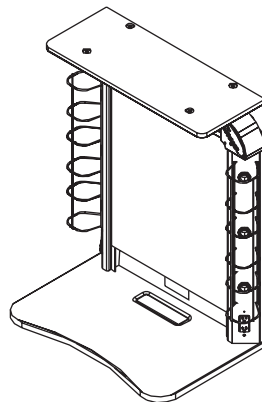
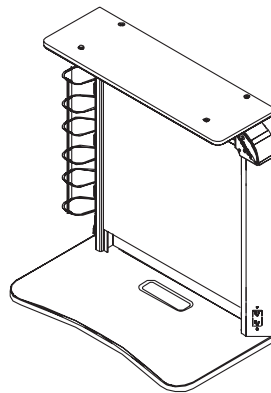


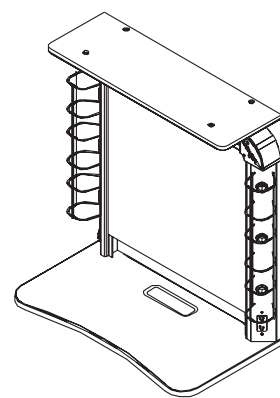
5-light 30" Studio Makeup Station



8-light 30" Studio Makeup Station



6-light 36" Studio Makeup Station



9-light 36" Studio Makeup Station

Contents

Important User Information	2	Before Installation	5
General	2	Before Starting Assembly	5
Manufacturer	2	Lighting	6
Intended Use	2	Layout the Space	6
Warranty	2	Installation	8
Safety Precautions	3	Install Mounting Bracket	8
Required Tools	3	Install First Makeup Station	10
Parts List	4	Install Additional Makeup Stations	14
Fasteners - Not Supplied	4	Complete The Installation	14
		Attach The Mirror	15
		Attach The Counter	15
		Connect The Electrical Source	16
		Tackboard Installation	16

Note: Please read and understand these instructions before assembling.
Note: If you need additional information, contact Wenger Corporation using the information below.

Important User Information

General

Copyright © 2018 by Wenger Corporation

All rights reserved. No part of the contents of this manual may be reproduced, copied, or transmitted in any form or by any means including graphic, electronic, or mechanical methods or photocopying, recording, or information storage and retrieval systems without the written permission of the publisher, unless it is for the purchaser's personal use.

Printed and bound in the United States of America.

The information in this manual is subject to change without notice and does not represent a commitment on the part of Wenger Corporation. Wenger Corporation does not assume any responsibility for any errors that may appear in this manual.

In no event will Wenger Corporation be liable for technical or editorial omissions made herein, nor for direct, indirect, special, incidental, or consequential damages resulting from the use or defect of this manual.

The information in this document is not intended to cover all possible conditions and situations that might occur. The end user must exercise caution and common sense when assembling or installing Wenger Corporation products. If any questions or problems arise, call Wenger Corporation at 1-800-887-7145.

Manufacturer

The Studio® Makeup Stations are manufactured by:

Wenger Corporation
555 Park Drive
Owatonna, MN 55060
(800) 4WENGER (493-6437) • +1 (507) 455-4100
www.wengercorp.com

Intended Use

- This product is intended for indoor use in normal ambient temperature and humidity conditions — it must not be exposed to prolonged outside weather conditions.
- This product is intended to be installed only as described in these instructions.

Warranty







This product is guaranteed free of defects in materials and workmanship for five full years from date of shipment. A full warranty statement is available upon request.

Safety Precautions

Throughout this manual you may find cautions and warnings which are defined as follows:

- **WARNING** means that failure to follow the instruction may result in serious injury or death.
- **CAUTION** means that failure to follow the instruction may result in serious injury or damage to property.

Read all of these safety instructions before assembling or using the Signature Choral Riser.

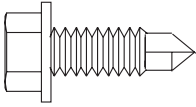
 CAUTION <i>Make sure anyone installing the Studio Makeup Station has read and understands these instructions.</i>	 CAUTION <i>Failure to comply with Warnings and Cautions in this document can result in damage to property or serious injury.</i>	 CAUTION <i>To avoid damage and injury, more than one person is needed for installation.</i>
 CAUTION <i>Do not connect the Makeup Station to the electrical source until the Makeup Station is completely assembled.</i>	 CAUTION <i>Never lift the Makeup Station Assembly by the shelves or wire cages.</i>	
 WARNING <i>A licensed electrician must perform the electrical installation. The electrical source must be permanently wired and comply with local electrical codes.</i>		

Required Tools

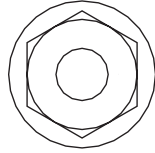
- Drill with Phillips Insert Bit
- 3/8" Hex Nut Driver
- Phillips Screwdriver
- 9/16" Open End Wrench
- 48" Box Level
- Electronic Scanner (to locate wall studs)
- 8' Tape Rule
- 9/16" Pencil
- Bits and Drivers for Wall Anchor Hardware (supplied by end user).

Parts List

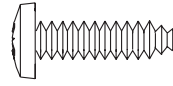
The Makeup Station is shipped with all components in a single box, the main assembly, a corrugated sleeve containing the Mirror, a hardware bag, the Counter under the main assembly, the Tackboard Assembly (36" Model only) in a corrugated sleeve, and the Wall Mounting Bracket.



(1) Self-drill Screw,
1/4-14 x 3/4"



(2) Hex Flange Nut, 3/8-16



(3) Phillips Head
Sheet Metal Screw,
10 x 3/4"

Item	Qty.	Description	Item	Qty.	Description
1	2*	Self-drill Screw, 1/4-14 x 3/4"	6	2*	Bottom Frame Clips
2	4*	Hex Flange Nut, 3/8-16	7	1	Wall Mounting Bracket
3	4*	Phillips Head Sheet Metal Screw, 10 x 3/4"	8	1	Counter
4	1*	Installation Manual (including Wiring Diagram)	9	1**	Tackboard Assembly
5	1*	Owner's Manual			

* Contained in Hardware Bag

** 36" Model Only

Fasteners - Not Supplied

Because materials and construction of walls can vary, fasteners for attaching the Mounting Bracket and to the structure are not provided. The use of Furring Strips (not included) may also be required.

The installer must choose the appropriate fastener and follow the manufacturer's instructions.

⚠ CAUTION

Inferior or improperly installed fasteners could cause the Mounting Bracket to fall.

Wall Mounting Guidelines:

For drywalled wood stud or metal stud walls, the Mounting Bracket and Furring Strips should be mounted on a stud, NOT on unsupported drywall.

Wood Studs: Use 1/4" lag screws or #12 sheetrock screws or larger screws that will provide a minimum of 1-1/2" of penetration into the stud.

Steel Studs: Use 1/4" sheetmetal screws.

For poured concrete walls, Use 1/4" x 2" expanding anchor or a 3/8" x 1-3/4" concrete anchor. Trim the stud if necessary to prevent damaging the instrument.

For concrete block walls, Use 3/8" x 1-3/4" concrete anchors or an adhesive anchor system.

Before Installation

Before Starting Assembly

Before installing the Studio Makeup Station, do the following.

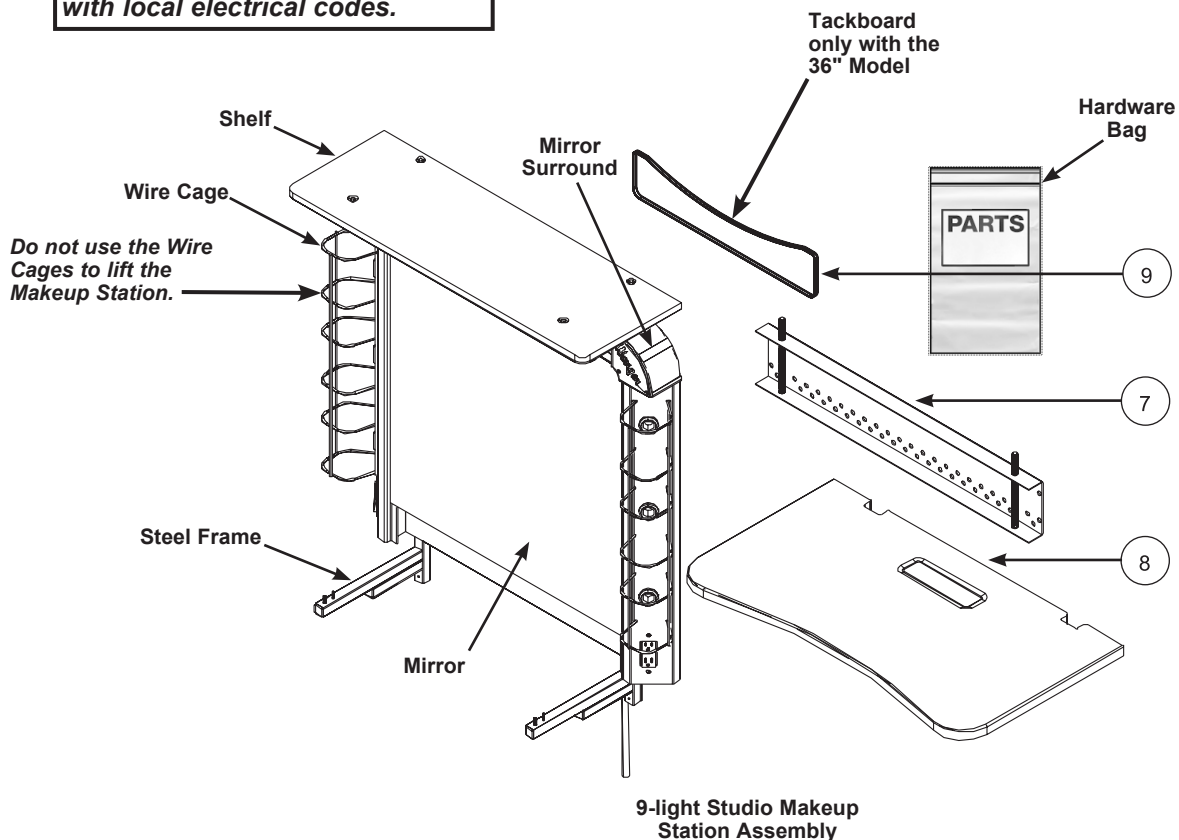
1. Read and understand this installation instruction completely.
2. Open all cartons and make sure each includes a Studio Makeup Station, a hardware bag, the Wall Mounting Bracket, a Tackboard (36" Model only), a Mirror (packaged in a corrugated sleeve) and a Counter.

Note: The Counter and carton containing the Mirror are packaged under the Makeup Station.

3. Inventory the hardware package and make sure that all required hardware is present.
4. The room where the Makeup Stations will be installed must be permanently wired with a suitable electrical source (grounded 120VAC).
 - a. Each 9-light Station (lighting using 540 watts) or 8-light Station (lighting using 480 watts) can have external appliances plugged into the duplex receptacle that can draw high current loads. Make sure that the electrical supply is capable of supplying sufficient current and has adequate overload protection.
 - b. Always consult local electrical codes before starting the installation.

⚠ WARNING

A licensed electrician must perform the electrical installation. The electrical source must be permanently wired and comply with local electrical codes.



Before Installation (continued)

Lighting

The Studio Makeup Station is shipped without light bulbs.

Wenger recommends the use of 40-watt or 60-watt incandescent bulbs or 15 watt full-spectrum swirl fluorescent bulbs. Ambient lighting conditions may influence the choice of bulb type and power rating.

Layout the Space

Note: Refer to the illustration on the following page which includes equivalent metric dimensions.

1. Before starting the installation, decide where the Studio Makeup Stations will be installed.
2. If the wall is drywall or wetwall construction, determine if the studs are wood or steel.
3. Draw a vertical line on the wall that will locate the vertical centerline of the left (or right) Station.
 - a. Make sure that the line is vertical to the floor.
 - b. The centerline cannot be closer than 20-1/2" (36" Model) or 17-1/2" (30" Model) from an obstruction on either side (such as a wall, I-beam, cabinet, etc.).
 - c. If more than one Studio Makeup Station is being installed, measure 30" or 36" (depending upon the Model) from the centerline and draw another vertical line for the centerline of the second Station.
 - d. Draw additional centerlines for any additional Stations that will be installed.
 - e. Draw a horizontal line 57-1/2" from the floor across the centerlines. Make sure that the line is level. This line locates the top edge of the Mounting Bracket (36" Model is 23-1/2" wide and 30" Model is 17-1/2").

Note: Placing the top edge of the Mounting Bracket at 57-1/2" from the floor will locate the top surface of the Counter at 29" from the floor and the top of the Shelf at 68-1/2" from the floor. If the Counter top surface must be higher or lower, adjust the Mounting Bracket Position by moving it upward or downward.

4. Using an electronic scanner, locate and mark each stud in the wall that will be used for the installation with a vertical line that passes through the horizontal line that locates the top edge of the Mounting Bracket.

Note: Sometimes the 30" Model Mounting Bracket does not cross a wall stud. If the Mounting Bracket cannot be attached to a wall stud, refer to the special instructions for wall anchors in the section Install the Mounting Bracket.

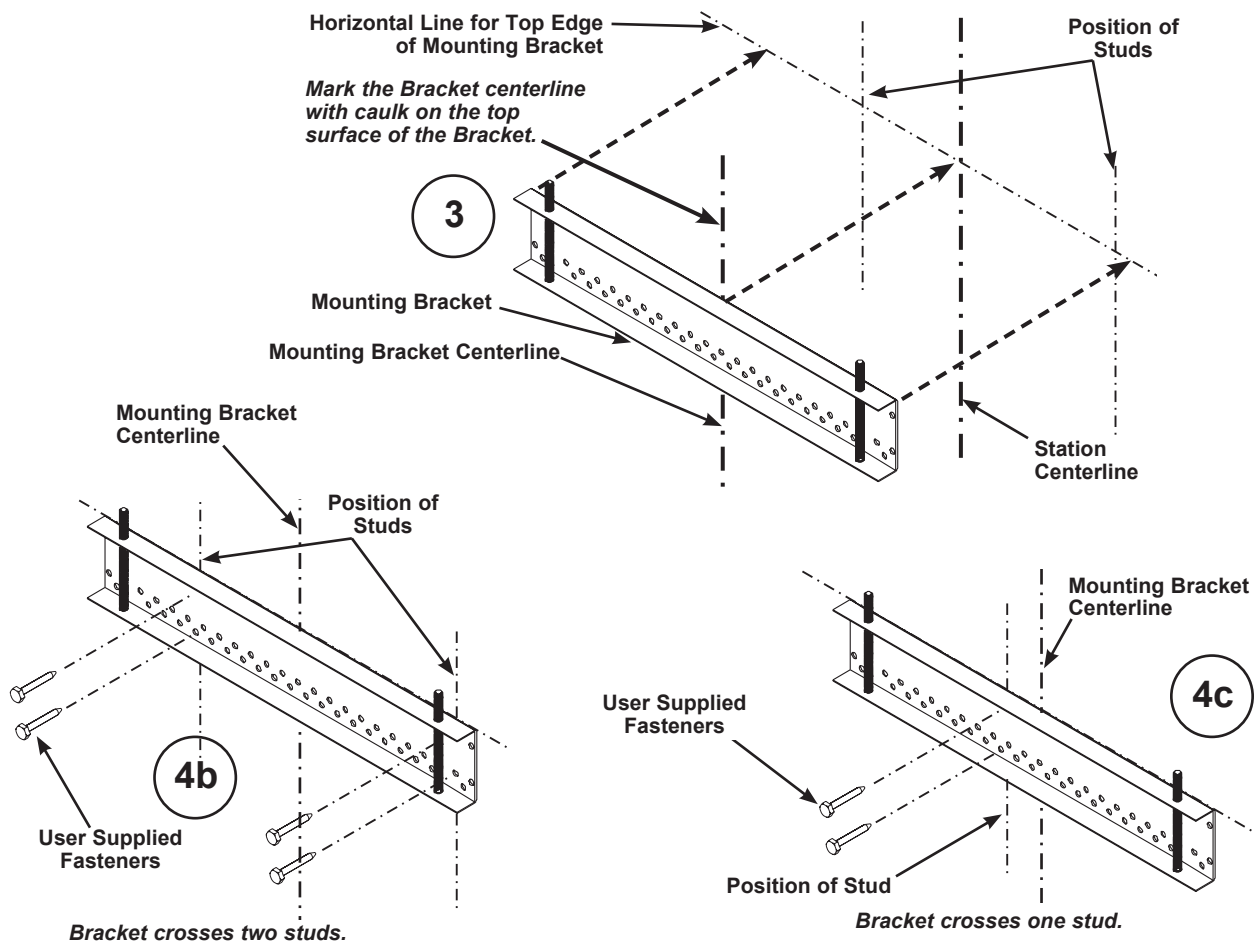
Installation

Install Mounting Bracket

1. Remove the Mounting Bracket from the shipping box.
2. Locate the Hardware Bag and set it aside.
3. Align the Mounting Bracket to the wall with the top edge of the Mounting Bracket on the Horizontal Line and the centerline of the Mounting Bracket (user must mark the Bracket centerline with chalk) aligned to the Station Centerline on the wall as shown below.
4. For walls with **wood stud construction** do as follows.
For metal stud or masonry wall construction, go to step 5.
 - a. Hold the Mounting Bracket in place and note the position of the studs.

Note: The mounting bracket must cross at least one stud and be attached to the wall using the appropriate fasteners and method described in the “Fasteners - Not Supplied” section.

- b. **If the Mounting Bracket crosses two studs**, attach the Bracket with four fasteners (supplied by end user), two in each stud.
- c. **If the Mounting Bracket crosses one stud**, attach the Bracket with two fasteners (supplied by end user) to the stud and then attach the Bracket to the wall with four heavy duty drywall anchors (consult a local hardware supplier).



Installation (continued)

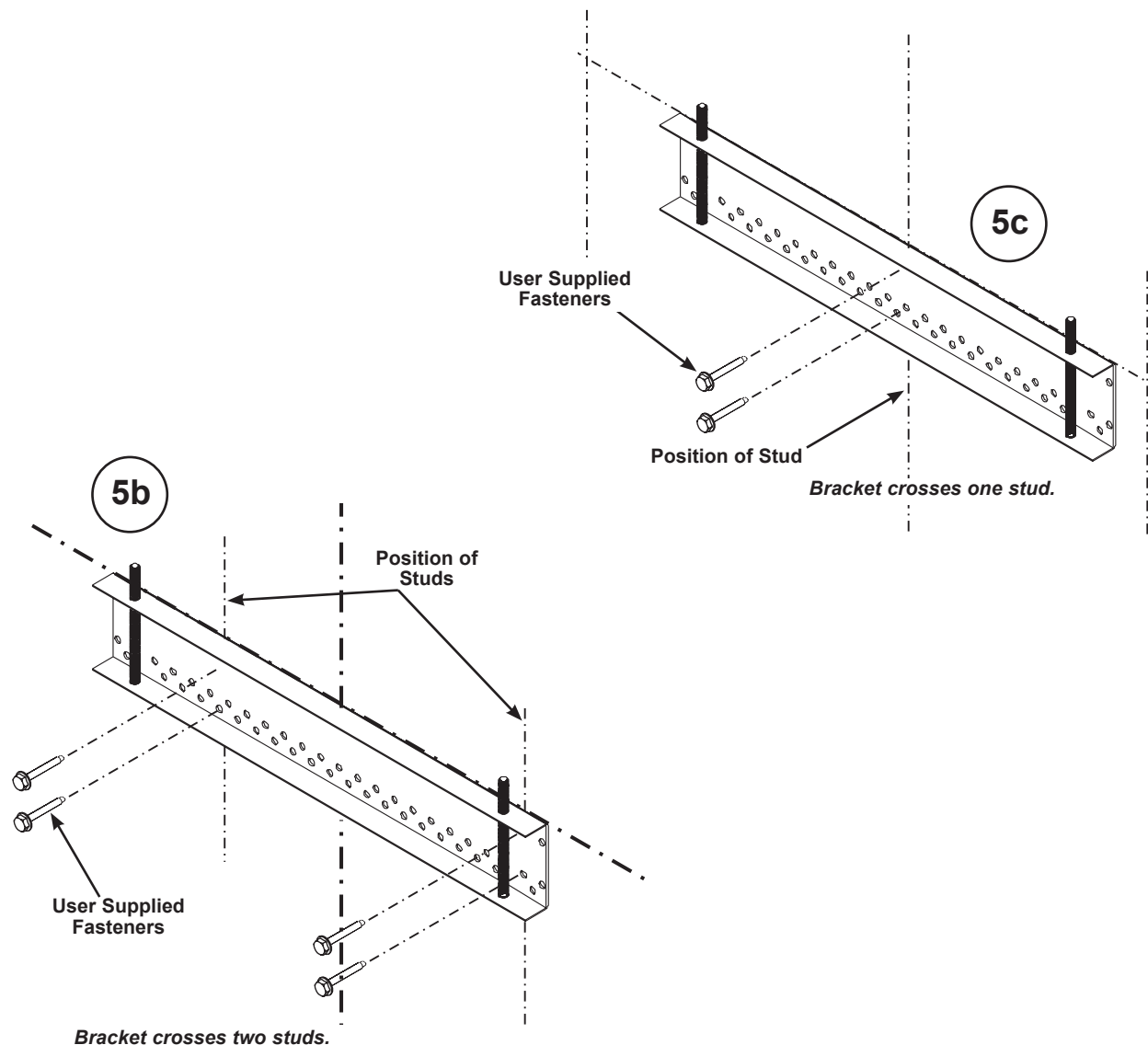
Install Mounting Bracket (continued)

5. For walls with ***metal stud construction*** do as follows.
 - a. Hold the Mounting Bracket in place and note the position of the studs.

Note: the mounting bracket must cross at least one stud.

- b. ***If the Mounting Bracket crosses two studs***, attach the Bracket with four fasteners (supplied by end user), two in each stud.
 - c. ***If the Mounting Bracket crosses one stud***, attach the Bracket with two fasteners (supplied by end user) to the stud and then attach four heavy duty drywall anchors (consult a local hardware supplier) to the wall.
6. For masonry walls, use at least two 1/4" masonry anchors that are appropriate for the wall construction (consult a hardware supplier).
 7. Repeat this procedure for all Station Mounting Brackets.

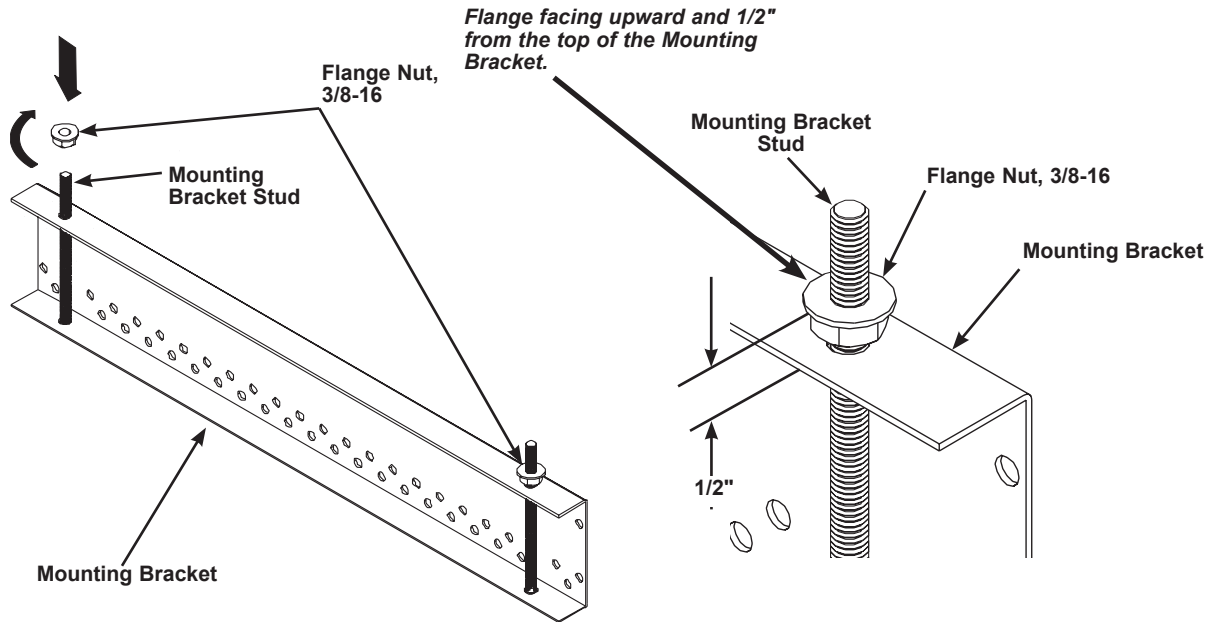
Note: Install all Mounting Brackets before hanging any Studio Stations.



Installation (continued)

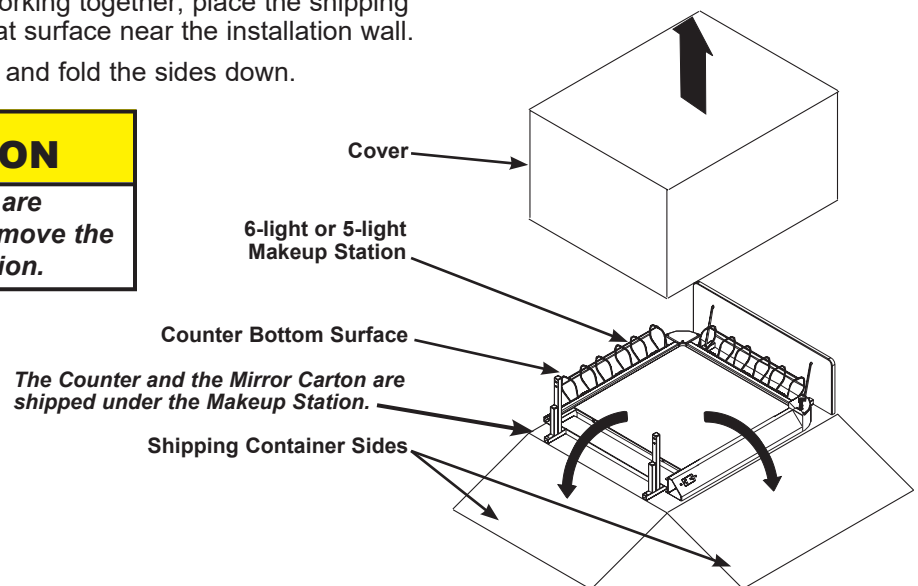
Install First Makeup Station

1. Remove the four Flange Nuts, 3/8-16, from the hardware bag.
2. Screw (clockwise) a Flange Nut, 3/8-16, onto each each of the two Mounting Bracket Studs with the Flanges facing upward as shown below. Position the Flange Nuts so that the flange of the nut is one-half inch from the top edge of the Mounting Bracket.



Note: When installing two or more Makeup Stations, always first install a 6-light or 5-light unit on the left end. Add additional 6-light or 5-light units to the right and finish the row with a 9-light or 8-light unit on the right end.

3. Find the shipping container marked 6-light unit or 5-light unit.
 - a. With two people working together, place the shipping container onto a flat surface near the installation wall.
 - b. Remove the cover and fold the sides down.

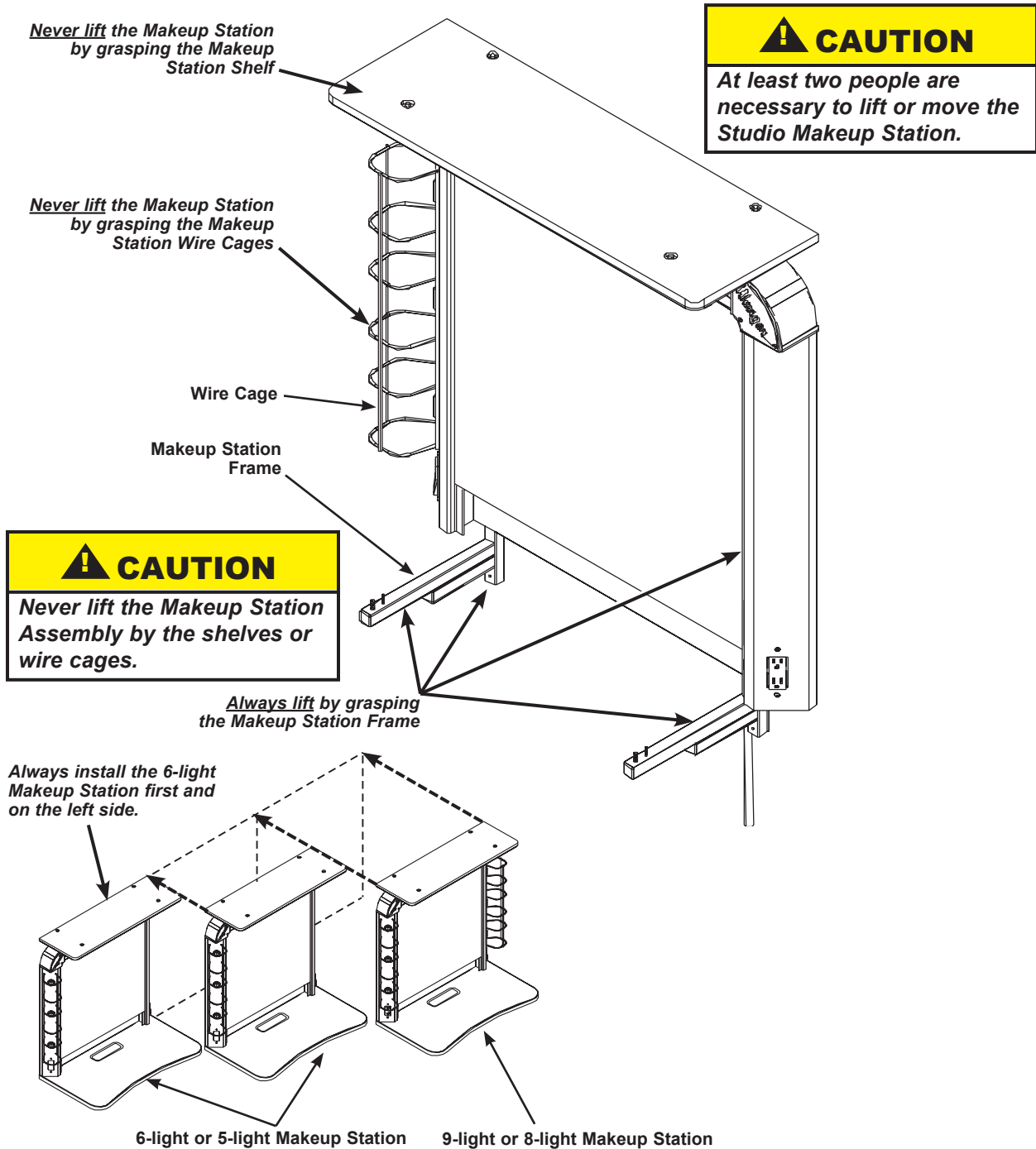


Installation (continued)

Install First Makeup Station (continued)

6. With two people working together, tilt the Makeup Station into an upright position.
 - a. Only handle the Makeup Station by grasping the Steel Frame — **do not lift or handle the Makeup Station by grasping the Light Cages or the Shelf.**

Note: Always start a row with a 6-light unit or a 5-light unit on the left end. Add additional 6-light or 5-light units to the right and finish the row with a 9-light unit or 8-light unit on the right end.

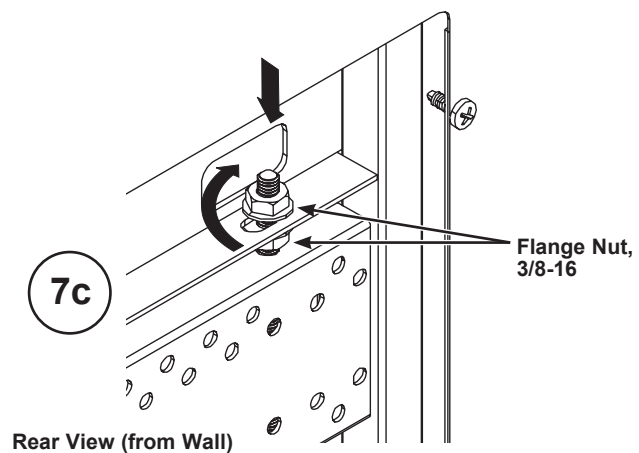
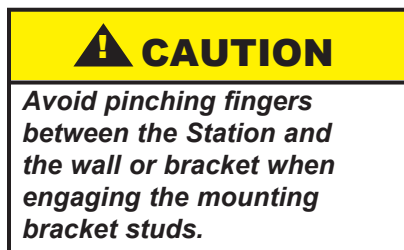
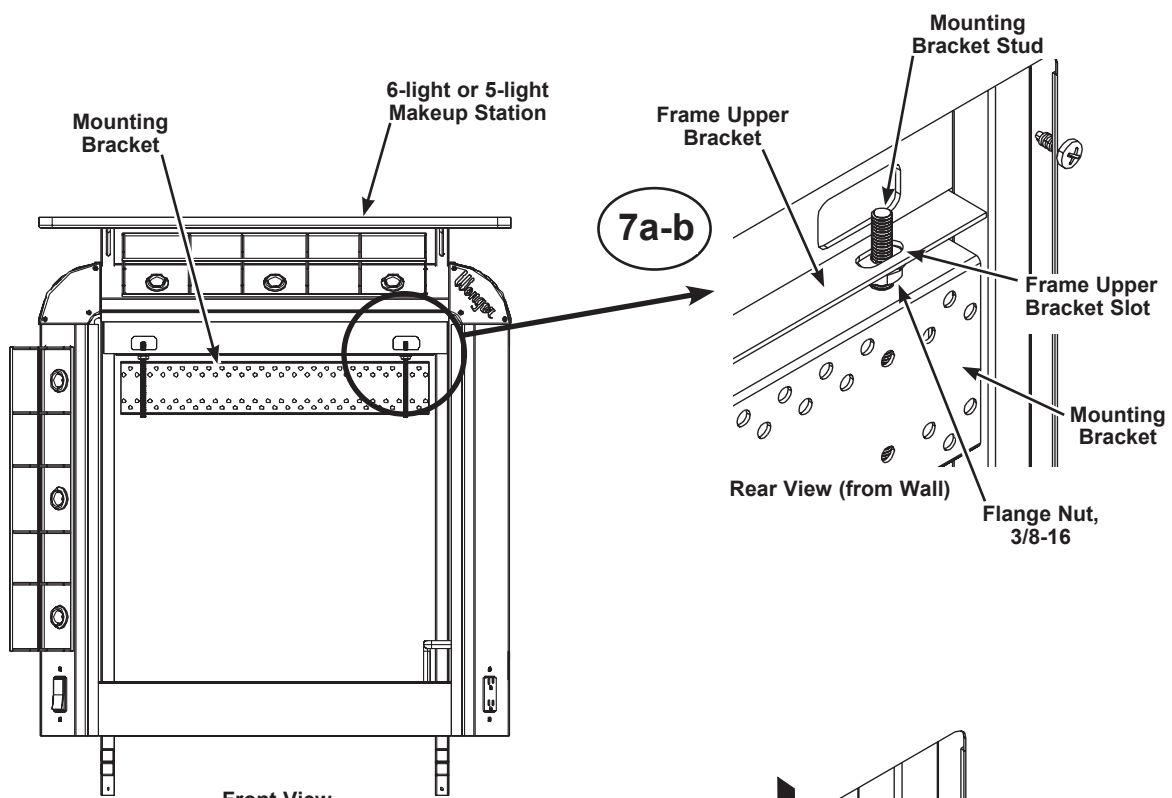


Installation (continued)

Install First Makeup Station (continued)

7. Attach the 6-light or 5-light Makeup Station to the left-hand Mounting Bracket as follows.
 - a. With two people working together, grasp the Makeup Station Frame and lift the Station upward.
 - b. Place the Frame onto the Mounting Bracket Studs by engaging the Studs with the Frame Upper Bracket Slots. Allow the Makeup Station to rest on the two Flange Nuts on the Mounting Bracket Studs.
 - c. Screw a Flange Nut with the Flange facing downward onto the top of each Mounting Bracket Stud by hand. Leave the Flange Nut loose for later adjustment.

Note: If the Mounting Bracket Studs do not align to the Frame Upper Bracket Slots, loosen the screws that attach the Mounting Bracket to the wall. Then, after placing the Frame onto the Mounting Bracket Studs, tighten the screws that attach the Mounting Bracket to the wall.



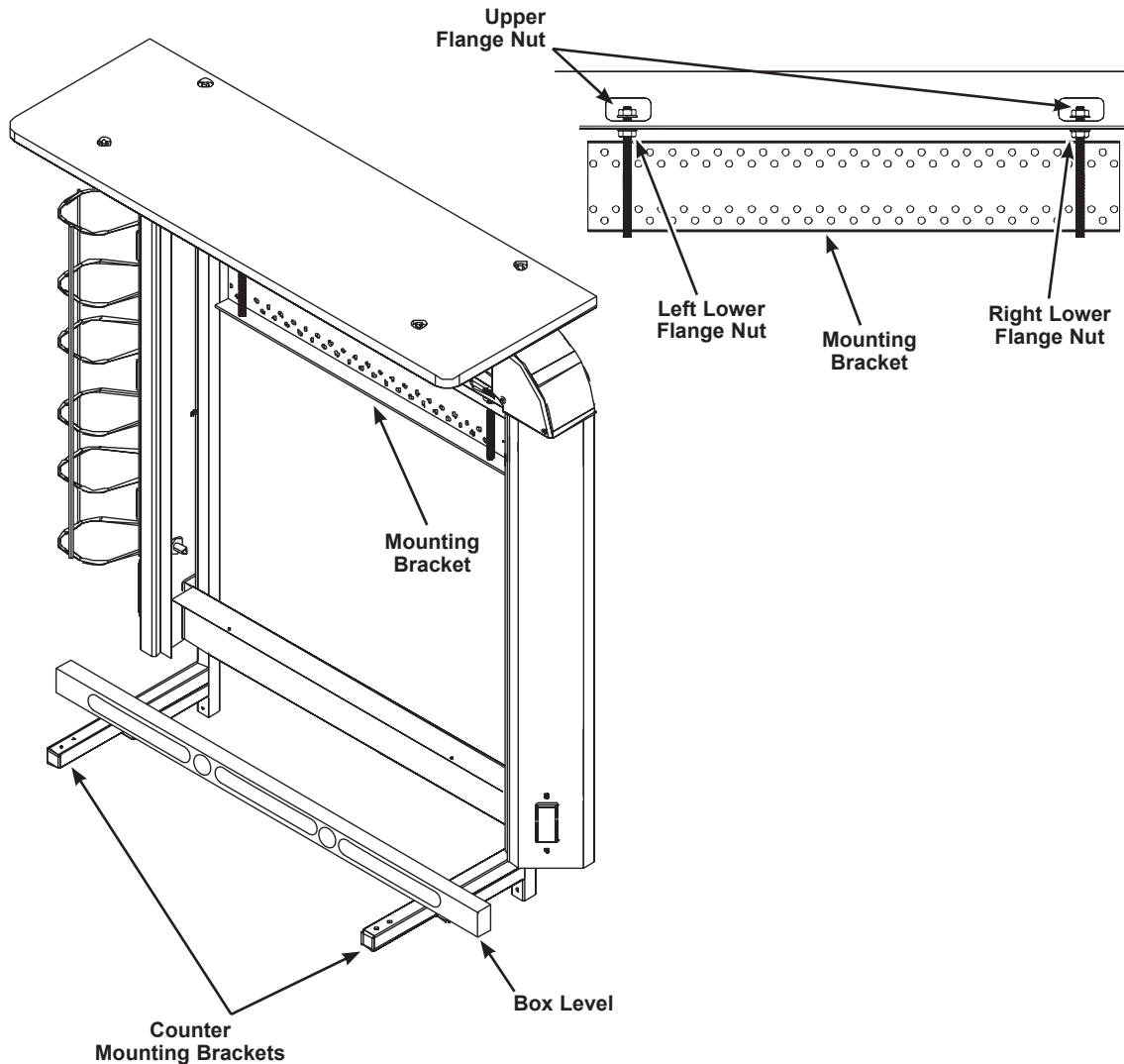
Installation (continued)

Install First Makeup Station (continued)

8. Level the Makeup Station as follows.
 - a. Place a 48" Box Level across the two Counter Mounting Brackets.
 - b. To move the left side upward, use a 9/16" open end wrench and turn the Left Lower Flange Nut counterclockwise and the Right Lower Flange Nut clockwise. Turning each nut one-half turn will lift the left edge 1/16".

Note: Always turn one nut clockwise and one nut counterclockwise the same amount to keep the Makeup Station in the same relative position. This is important when leveling a group of Makeup Stations.

- c. To lower the left side, turn the Left Lower Flange Nut clockwise and the Right Lower Flange Nut counterclockwise.
- d. When the Counter Mounting Brackets are level, tighten the two Upper Flange Nuts with a 9/16" open end wrench.



Installation (continued)

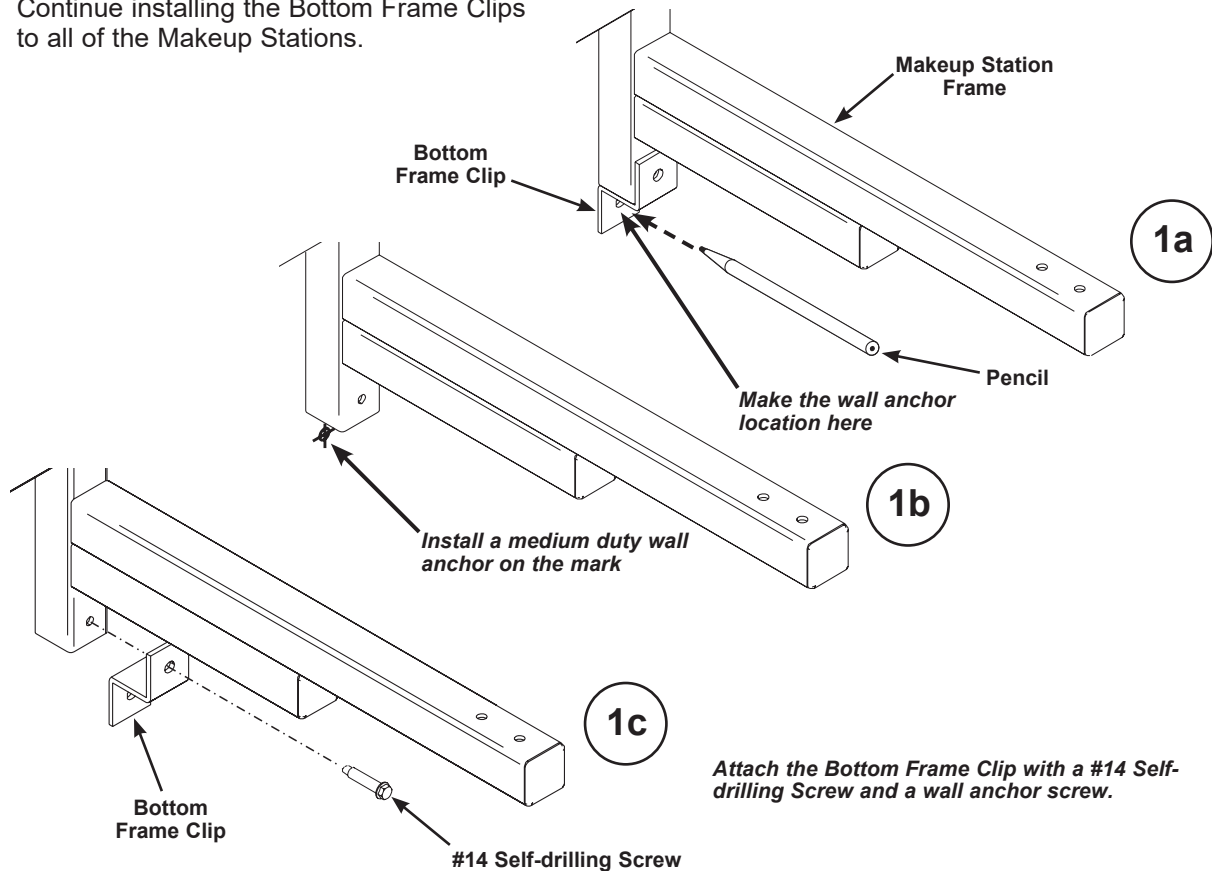
Install Additional Makeup Stations

Note: Always start a row with a 6-light or 5-light unit on the left end. Add additional 6-light units to the right and finish the row with a 9-light unit or a 8-light unit on the right end.

1. Find a shipping container with the next required unit.
 - a. With two people working together, place the shipping container onto a flat surface near the installation wall.
 - b. Remove the cover and fold the sides down.
2. Place the Makeup Station onto the Mounting Bracket next to the 9-light or 8-light Makeup Station.
3. Level the Makeup Station making sure that the Counter Mounting Brackets are even and tighten the Upper Flange Nuts.
4. Install any additional Makeup Stations in the same way.

Complete the Installation

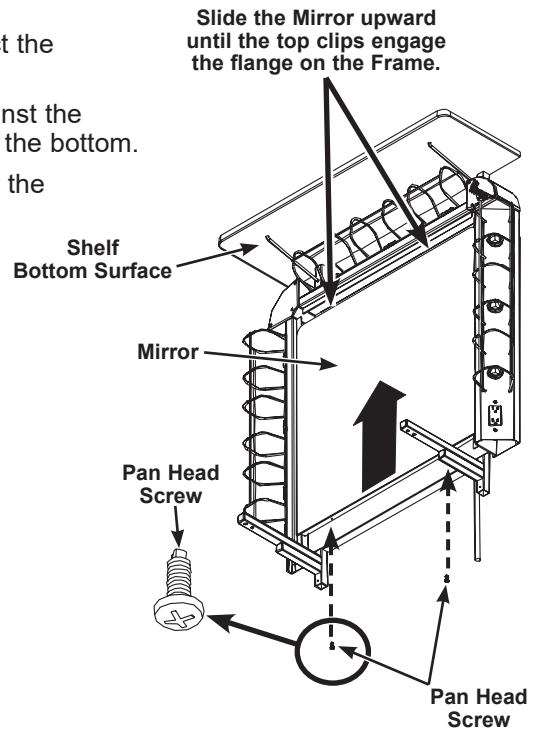
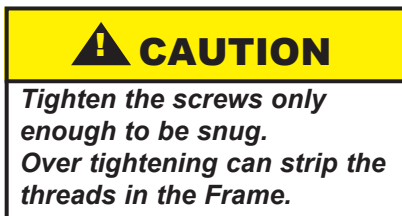
1. Fasten the bottom of the Makeup Station Frame to the wall with Bottom Frame Clips as follows.
 - a. Hold a Bottom Frame Clip against the Frame and mark the lower hole location for the Wall Anchor with a pencil as shown below.
 - b. Install a medium duty wall anchor (supplied by the end user — consult a local hardware supplier) at the mark on the wall.
 - c. Attach a Bottom Frame Clip to the Frame with a #14 Self-drilling Screw (from the hardware bag) and fasten the Clip to the wall with the wall anchor screw.
2. Continue installing the Bottom Frame Clips to all of the Makeup Stations.



Installation (continued)

Attach the Mirror

1. Remove the Mirror from the shipping carton and inspect the Mirror for damage.
2. With two people working together, place the Mirror against the Frame about an inch from the top with Mirror Flange at the bottom.
3. Slide the Mirror upward until the Mirror Flange contacts the Frame and the top clips engage the Frame.
4. With one person holding the Mirror in place, attach the two Pan Head Screws (included with the Mirror in the sleeve) that hold the Mirror to the Frame.

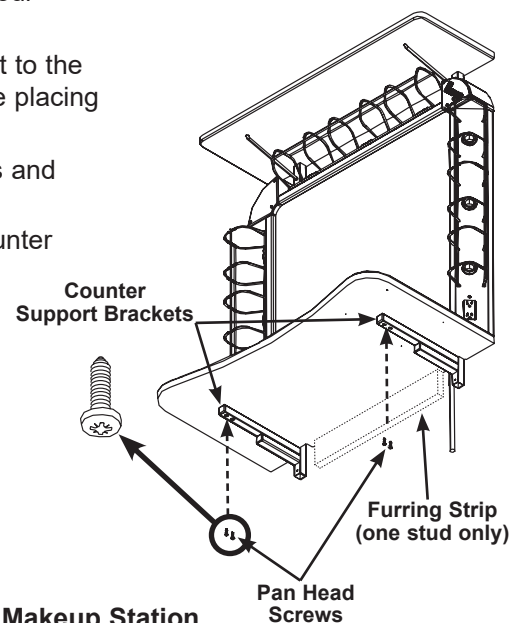
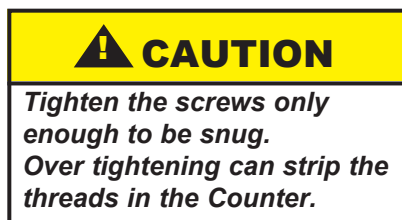


Attach the Counter

1. Assemble the Counter to the Makeup Station.
 - a. Remove the Counter from the carton and locate the four Pan Head Screws in the Hardware Bag.

Note: If there is a strap or tape attaching the flexible conduit to the Counter Support Bracket, remove the strap or tape before placing the Counter onto the Counter Support Brackets.

- b. Place the Counter onto the Counter Support Brackets and slide it into place.
- c. It may be necessary to lift the curved edge of the Counter slightly upward to fit it into the space in the Frame.
- d. Attach the bottom of the Counter to the Counter Support Brackets with four Pan Head Screws.



2. **For drywalled wood stud or metal stud walls where a Makeup Station only crosses one stud**, a Furring Strip no smaller than 1" x 4" (not included) must be attached flush against the bottom of the Counter.

Note: The Furring Strip must cross at least one stud and be attached to the wall using the appropriate fasteners and method described in the "Fasteners - Not Supplied" section.

- a. **Attach the Furring Strip to the stud** with a minimum of two fasteners (supplied by end user).
- b. **Also attach the Furring Strip to the wall**, with a minimum of four heavy duty drywall anchors (consult a local hardware supplier).

Installation (continued)

Connect the Electrical Source

WARNING

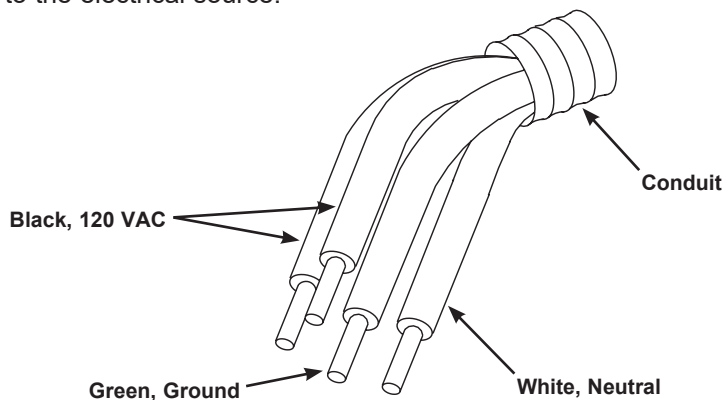
*A licensed electrician must perform the electrical installation.
The electrical source must be permanently wired and comply with local electrical codes.*

To reduce the risk of burns, fire, electric shock or injury to persons, observe the following:

- *Never connect the electrical source until all of the Makeup Stations are completely assembled with Mirrors and Counters in place.*
- *Never connect the Makeup Stations to an inadequate electrical circuit.*
- *Always have an electrical engineer design or review the circuits to be sure that they comply with electrical codes and anticipated use.*
- *Never modify the wiring inside the Makeup Stations.*
- *Never allow anyone to use the Makeup Stations until all electrical work is complete and light bulbs are installed.*

Notes to the Electrician:

1. The Studio Makeup Station has separate conductors for the lights and the receptacle (see illustration below). The wiring plan for the room may include separate circuits for lights and receptacles.
2. **From N.E.C. Article 520.73 (2002):** All lights and any receptacles adjacent to the mirror(s) and above the dressing table counter(s) installed in dressing rooms shall be controlled by wall switches installed in the dressing room(s). Each switch controlling receptacles adjacent to the mirror(s) and above the dressing table counter(s) shall be provided with a pilot light located outside the dressing room, adjacent to the door to indicate when the receptacles are energized. Other outlets installed in the dressing room shall not be required to be switched.
3. **If the wiring plan for the room does not comply** with the above code requirement, check with the electrical engineer or local code official before proceeding.
4. Never sit or stand on the counter or use it for holding tools while connecting the Makeup Station to the electrical source.



Tackboard Installation

Refer to the Studio Makeup Station Owner's Manual for Tackboard installation instructions.
