

Contents

Important User Information	2	Assembly	4
Required Tools	3	Operation	7
Parts List	3	Maintenance	7

Note: Please read and understand the instructions before starting the assembly or installation.

Note: If you need additional information, contact Wenger Corporation using the information below.

Important User Information

General

Copyright © 2017 by Wenger Corporation

All rights reserved. No part of the contents of this manual may be reproduced, copied, or transmitted in any form or by any means including graphic, electronic, or mechanical methods or photocopying, recording, or information storage and retrieval systems without the written permission of the publisher, unless it is for the purchaser's personal use.

Printed and bound in the United States of America.

The information in this manual is subject to change without notice and does not represent a commitment on the part of Wenger Corporation. Wenger Corporation does not assume any responsibility for any errors that may appear in this manual.

In no event will Wenger Corporation be liable for technical or editorial omissions made herein, nor for direct, indirect, special, incidental, or consequential damages resulting from the use or defect of this manual.

The information in this document is not intended to cover all possible conditions and situations that might occur. The end user must exercise caution and common sense when assembling or installing Wenger Corporation products. If any questions or problems arise, call Wenger Corporation at 1-800-887-7145.

Manufacturer

The Studio VAE® Control Pedestal Stand manufactured by:

Wenger Corporation
555 Park Drive
Owatonna, MN 55060
(800) 4WENGER (493-6437) • +1 (507) 455-4100
www.wengercorp.com

Intended Use

- This product is intended for indoor use in normal ambient temperature and humidity conditions — it must not be exposed to outside weather conditions.
- This product is intended to be assembled only as described in these instructions.

Warranty

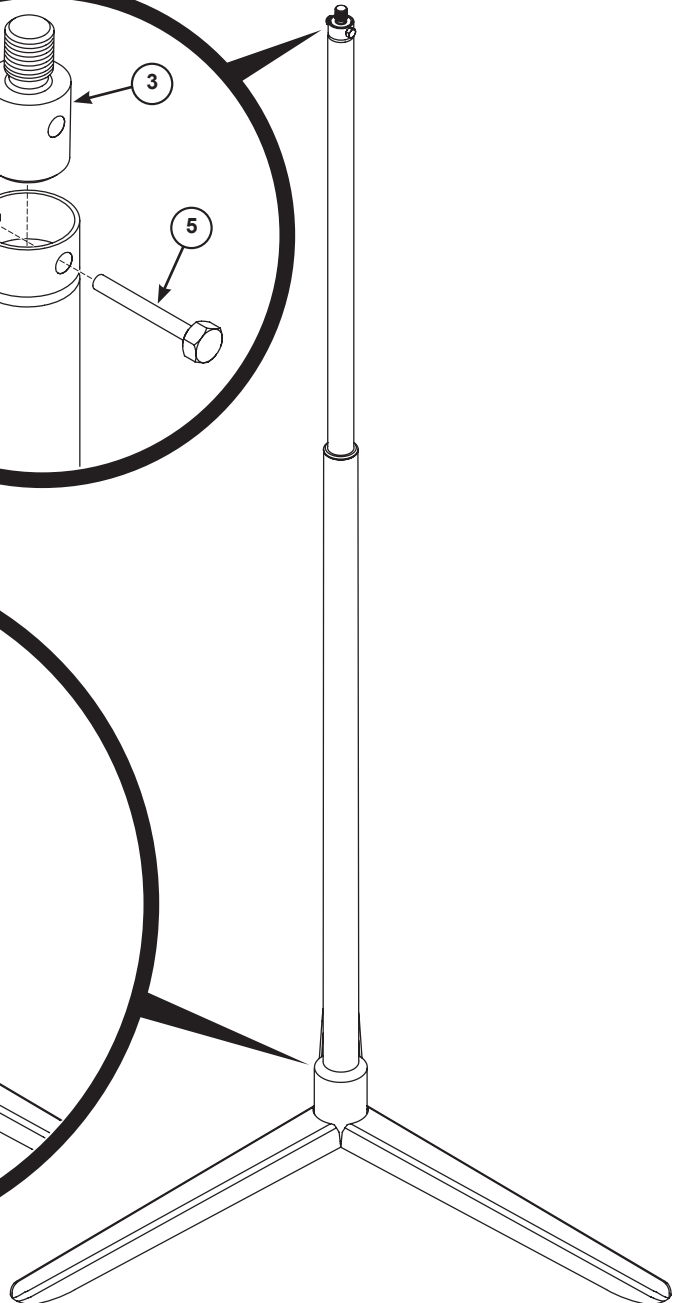
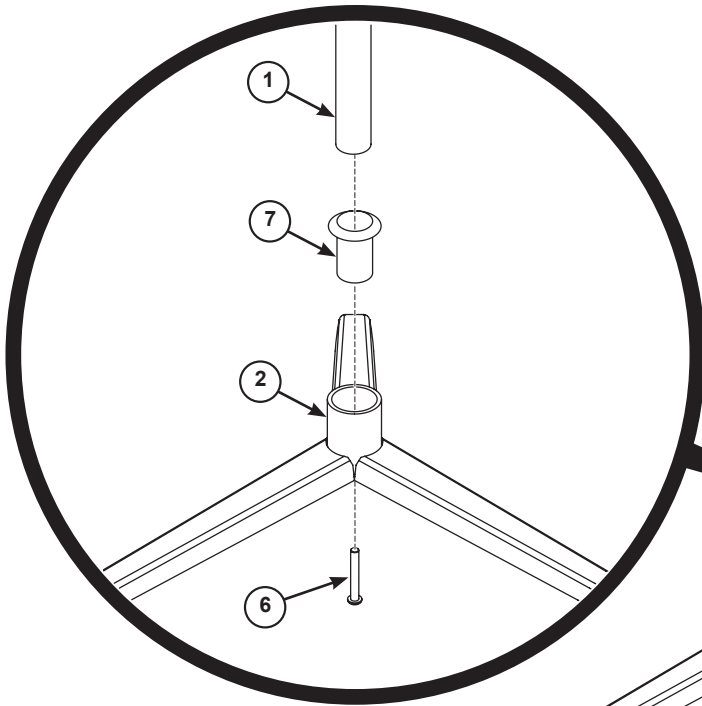
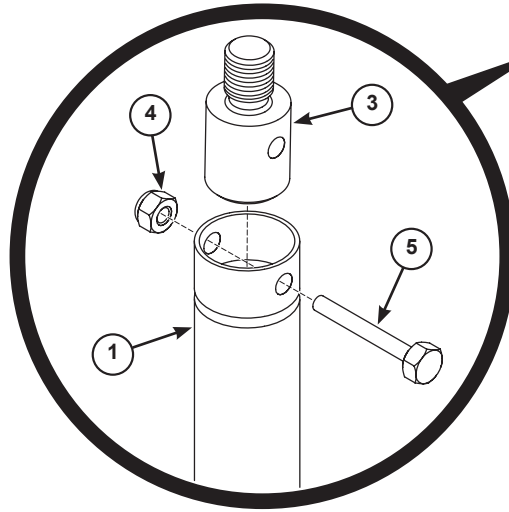
This product is guaranteed free of defects in materials and workmanship for five full years from date of shipment. A full warranty statement is available upon request.

Required Tools

- Plastic or Wood Mallet
- 7/16" Open End or Socket Wrench
- 5/32" Allen Wrench

Parts List

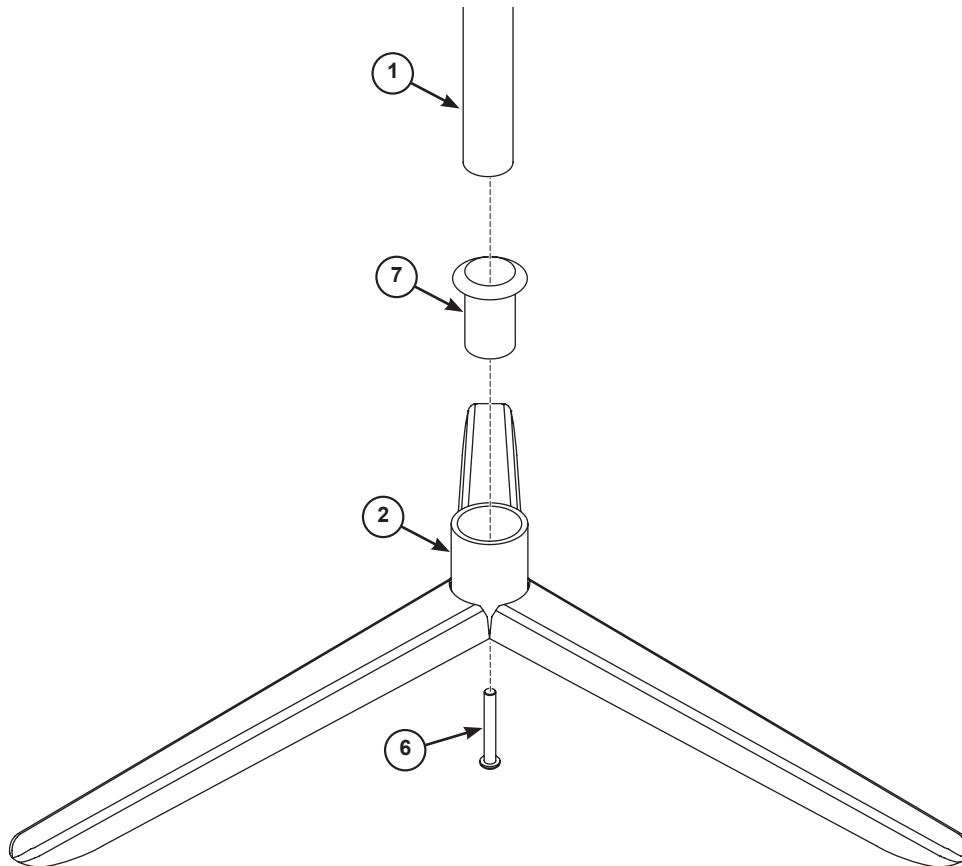
Item	Description
1	Slider Tube Assembly
2	Base Assembly
3	Adapter
4	1/4-20 Nylock Nut
5	1/4-20 x 1-1/4" Hex Head Screw
6	1/4-20 x 1-1/4" Button Head Screw
7	Bushing Insert



Assembly

Base Assembly

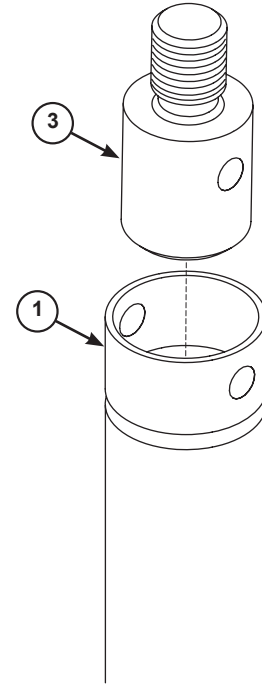
1. Slide the Bushing Insert (#7) into the Base Assembly (#2).
Tap the Bushing Insert with a plastic or wooden mallet to ensure it is secured tightly.
2. Push the Slider Tube Assembly (#1) into the Base Assembly.
The Base Assembly may be tapped with a plastic or wooden mallet until the Slider Tube is all of the way to the bottom of the Base Assembly.
3. With the bottom side of the Base Assembly up, use the 1/4"-20 x 1-1/4" Button Head Screw (#6) to attach the Base Assembly to the end of the Slider Tube Assembly.
4. Hand tighten the Screw until the Slider Tube and Bushing Insert no longer rotate inside of the Base Assembly. Do not over tighten!
When the fit is tight, hand tighten until the screw head contacts the bottom of the base. Then tighten the Screw a 1/2 turn more.



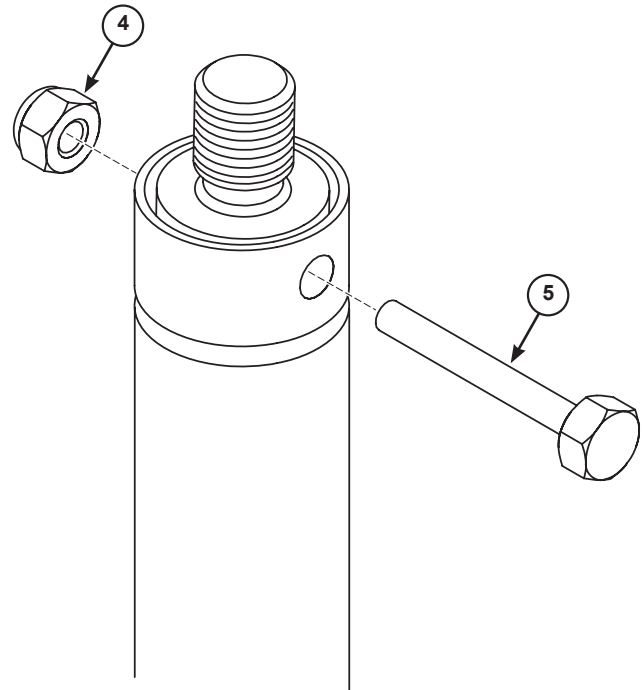
Assembly (continued)

Mount Assembly

5. Extend the Inner Tube of the Slider Tube Assembly (#1) 3"-4" (7- 10 cm) for easier installation of the Adapter (#3).
6. Insert the Adapter (#3) into the Inner Tube, aligning the holes in the Adapter with the holes in the Tube.



7. Insert the 1/4-20 x 1-1/4" Hex Head Screw (#5) through the aligned holes. Secure with the 1/4-20 Nylock Nut (#4) and firmly tighten.

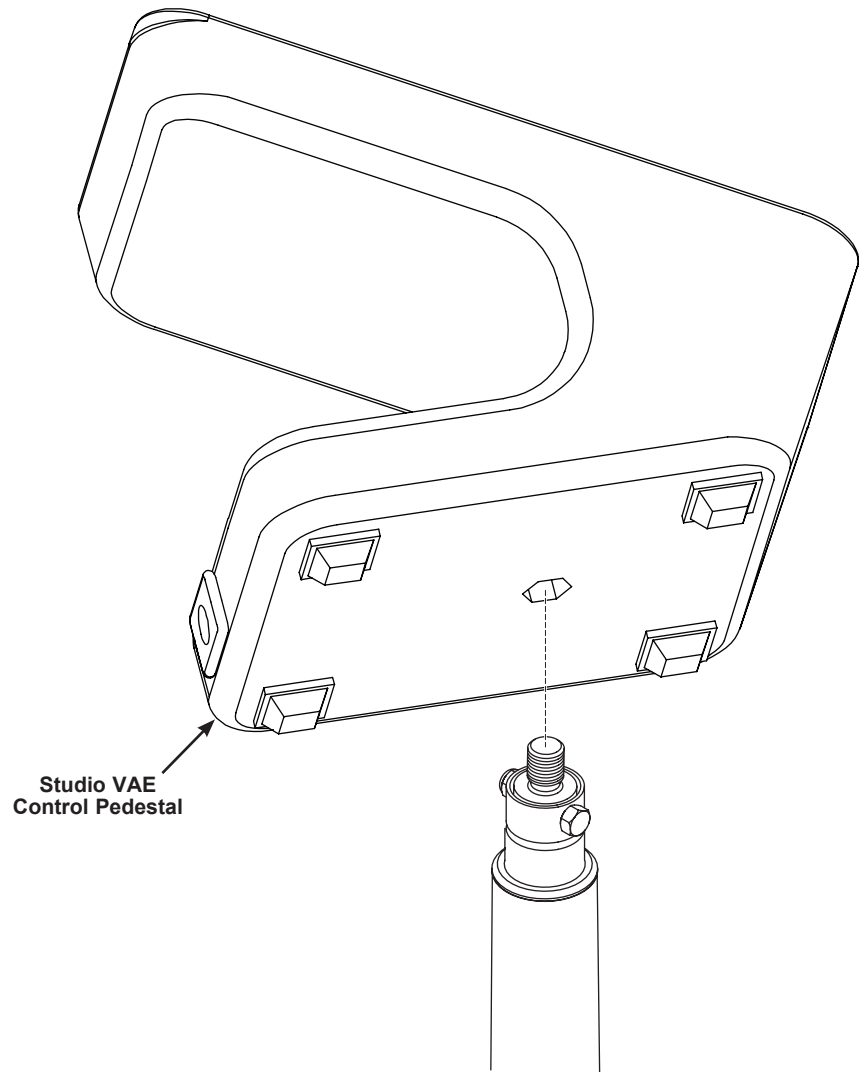


Assembly (continued)

Mount Assembly (continued)

8. Mount the the Studio VAE Control Pedestal onto the Adapter by rotating the bottom insert onto the threads on the top of the Adapter.

Hand tighten only!



9. The inner tube of the Slider Tube Assembly is lubricated with grease to extend the life of the inner components and to prevent corrosion during shipping and storage.

Wipe off any excess grease with a rag or paper towel as necessary.
This typically only occurs the first time that the tube is fully extended.

Operation

Move the inner tube of the Studio VAE Control Pedestal Stand up or down to adjust the height of the control panel.

Maintenance

1. Clean the Studio VAE Control Pedestal Stand with a mild detergent.
Avoid using harsh or abrasive cleaning products.
2. Never apply oil or any lubricant to the height adjustment tube.
3. Periodically check fasteners to ensure that they have not loosened during use.

This page is intentionally blank.