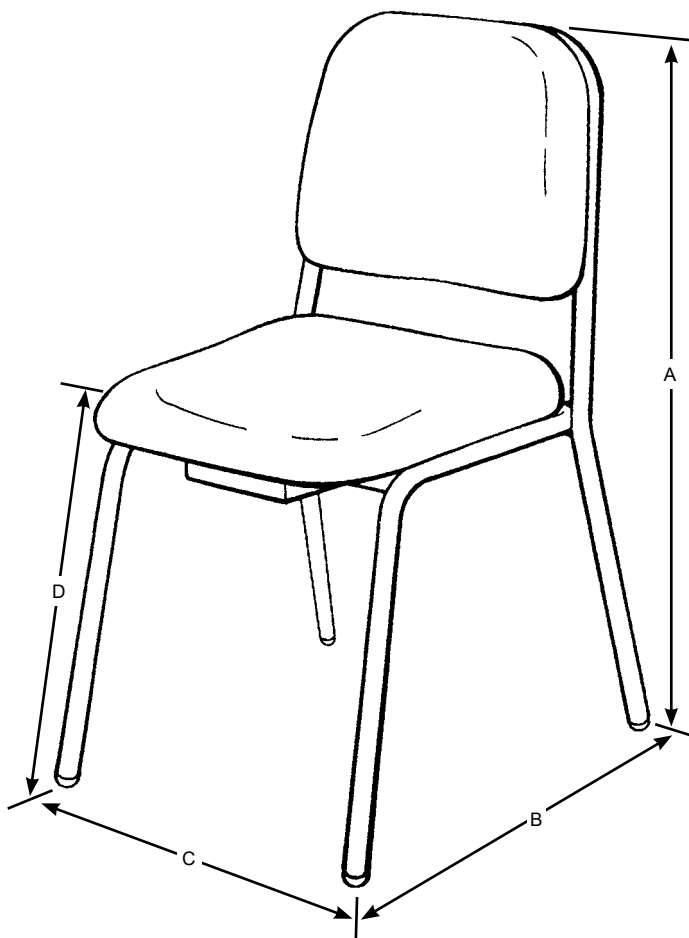


Symphony Chair

- 0970000 21 lb (9.5 kg)
- Seat is blow-molded polyethylene with contoured, high-density foam pad
- Back is rugged polypropylene with molded foam pad
- Seat and back are covered with high quality 100% nylon fabric
- Fabric is treated with BLOCKaide™ Stain Repellant
- Adjustable seat angle control
- Music posture design, with seat pan rise of 4-1/2° above thigh area, and a thigh to backrest angle of 97° allowing musicians to sit in a posture equivalent to standing, minimizing back problems
- 14-gauge steel tubing for strength
- Black upholstery and frame
- Available in heights of 18-1/2" (470 mm) and 19-1/2" (495 mm), with 1/4" (6 mm) seat angle adjustment
- Chairs stack for compact storage, up to six chairs on a cart; four chairs without a cart
- Black polypropylene leg guide
- California Technical Bulletin 117 compliant
- Environmental attributes and LEED compliance for this product can be found at www.wengercorp.com/GREEN or by contacting your Wenger representative
- Five-year warranty
- Patented

Chair Height	A	B	C	D
18-1/2" (470 mm)	33-1/2" (851 mm)	23-7/8" (605 mm)	20-1/4" (514 mm)	18-1/2" (470 mm)
19-1/2" (495 mm)	34-1/4" (870 mm)	24-3/8" (619 mm)	21" (533 mm)	19-1/2" (495 mm)

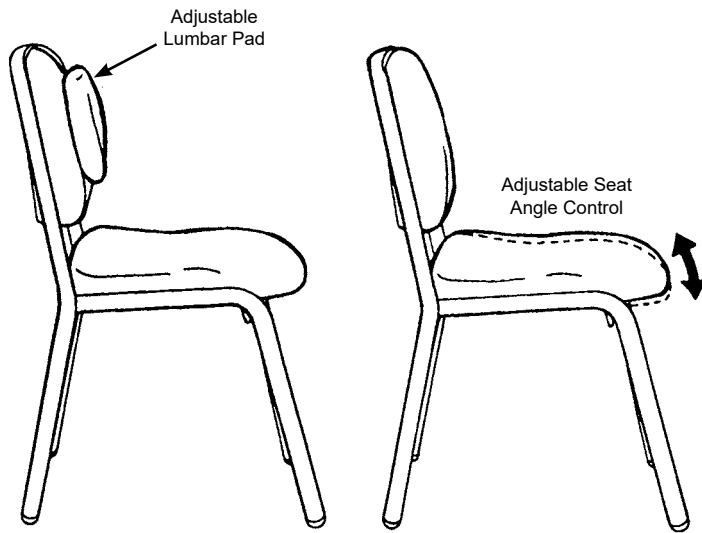
Available accessories listed on next page.



Accessories Include:

Adjustable Lumbar Pad

- 0979131 1 lb (0.5 kg)
- Pad is 1-1/2" (38 mm) thick and covered with the same black fabric as the chair
- Attached by hook and loop straps



Ganging Clamp

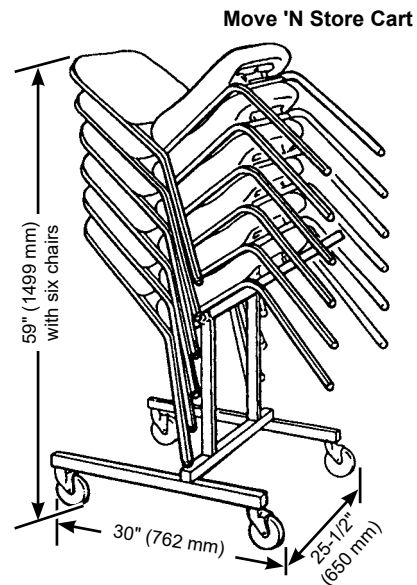
- 112A093
- Extruded ABS clamp allows chairs to be ganged together

Move 'N Store Cart

- 112A094 29 lb (13 kg)
- Stack, move and store up to six Symphony Chairs
- 14-gauge steel construction with four easy-roll swivel casters
- One-year warranty

Dust Cover

- 054D500
- Vinyl coated polypropylene
- For use with chairs stacked on cart



Wenger®

JRCLANCY

GEARBOSS

PURCHASE
ONLINE!

f t YouTube b
© 2019 Wenger Corporation
USA/2019-09

MUSIC EDUCATION AND PERFORMING ARTS

Owatonna Office: Phone 800.4WENGER (493-6437) Worldwide +1.507.455.4100 | Parts & Service 800.887.7145 | wengercorp.com
555 Park Drive, PO Box 448 | Owatonna | MN 55060-0448

Syracuse Office: Phone 800.836.1885 Worldwide +1.315.451.3440 | jrclancy.com | 7041 Interstate Island Road | Syracuse | NY 13209-9713

ATHLETICS Phone 800.493.6437 | email gearboss@wengercorp.com | gearboss.com | 555 Park Drive, PO Box 448 | Owatonna | MN 55060-0448