

CONTENTS

Important User Information	2	Required Tools	2
General	2	Parts List	3
Manufacturer	2	Assembly	4
Intended Use	2	Operation	7
Warranty	2		

Note: Please read and understand these instructions before assembling the parts.

Note: Remove all items from the shipping cartons and arrange them in a convenient location. Refer to the illustrations on the following pages. If you need additional information, contact the Wenger Corporation using the information below.

IMPORTANT USER INFORMATION

GENERAL

Copyright © 2013 by Wenger Corporation

All rights reserved. No part of the contents of this manual may be reproduced, copied, or transmitted in any form or by any means including graphic, electronic, or mechanical methods or photocopying, recording, or information storage and retrieval systems without the written permission of the publisher, unless it is for the purchaser's personal use.

Printed and bound in the United States of America.

The information in this manual is subject to change without notice and does not represent a commitment on the part of Wenger Corporation. Wenger Corporation does not assume any responsibility for any errors that may appear in this manual.

In no event will Wenger Corporation be liable for technical or editorial omissions made herein, nor for direct, indirect, special, incidental, or consequential damages resulting from the use or defect of this manual.

The information in this document is not intended to cover all possible conditions and situations that might occur. The end user must exercise caution and common sense when assembling or installing Wenger Corporation products. If any questions or problems arise, call Wenger Corporation at 1-800-733-0393.

MANUFACTURER

The Tablet Stand is manufactured for:

Wenger Corporation
555 Park Drive
Owatonna, MN 55060
1-800-4WENGER (493-6437) • 1-507-455-4100
www.wengercorp.com

INTENDED USE

- This product is intended for indoor use in normal ambient temperature and humidity conditions — it must not be exposed to prolonged outside weather conditions.
- This product is intended to be assembled only as described in these instructions.

WARRANTY

This product is guaranteed free of defects in materials and workmanship for five full years from date of shipment. A full warranty statement is available upon request.

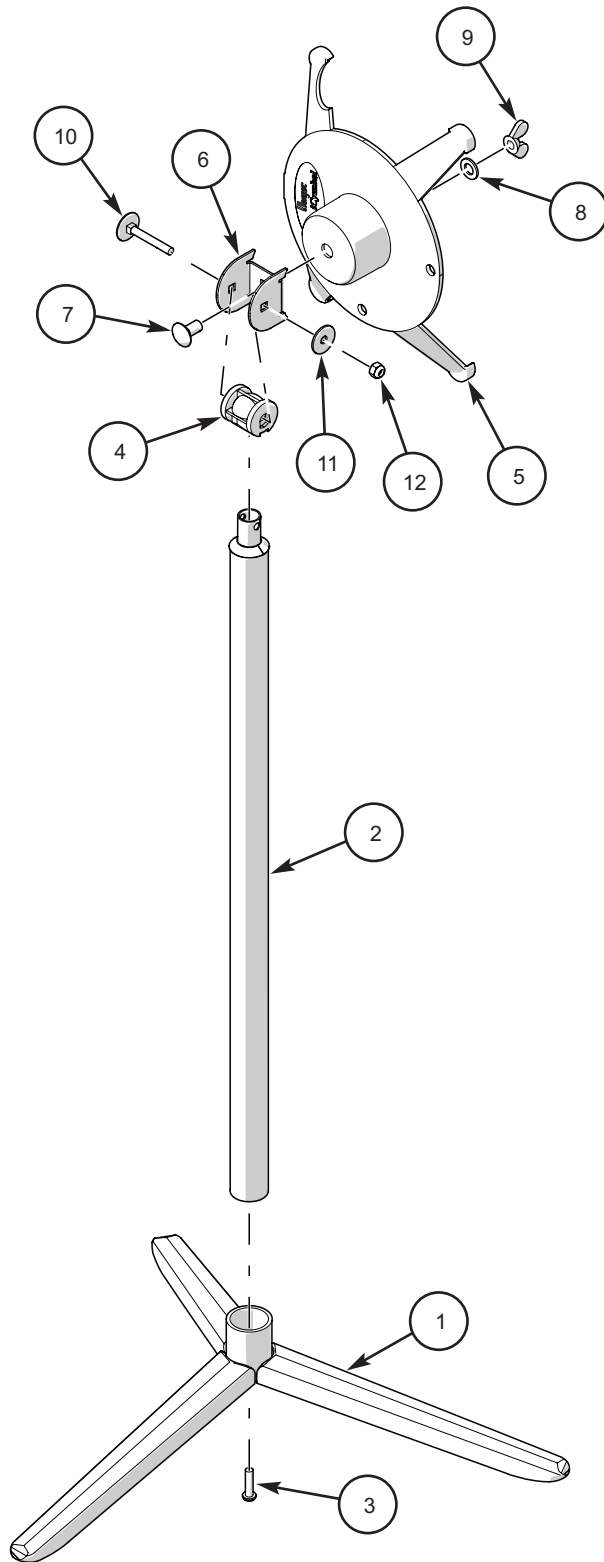
REQUIRED TOOLS

The following tools are required to assemble the Tablet Stand:

- Plastic or Wood Mallet
- 7/16" (11 mm) Box End or Socket Wrench
- 5/32" (4 mm) Hex Key Wrench
- Pliers

PARTS LIST

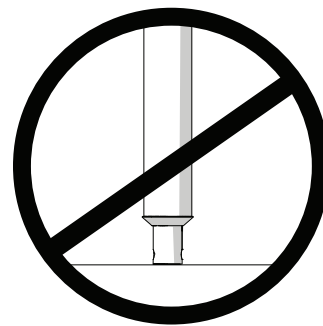
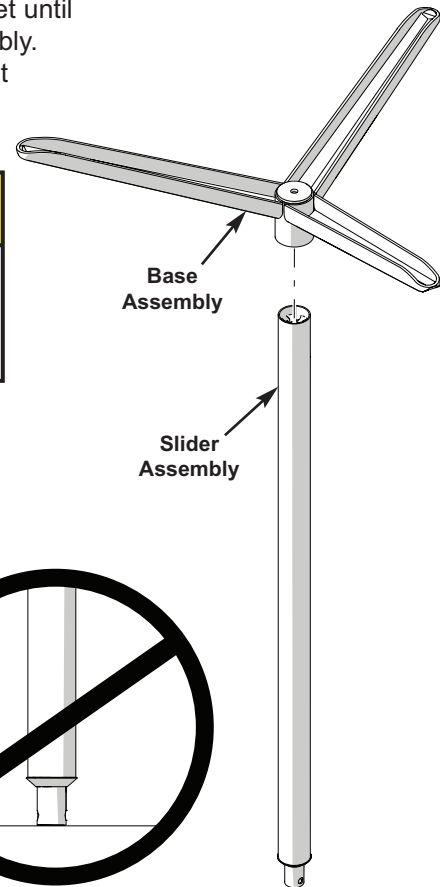
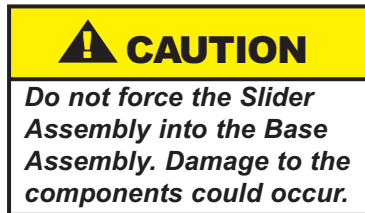
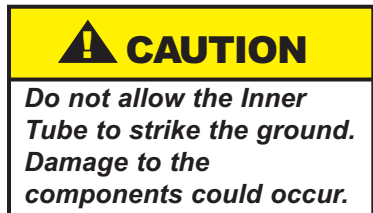
Item	Qty	Description
1	1	Base Assembly
2	1	Slider Assembly
3	1	Socket Screw, 1/4-20 x 1.25"
4	1	Pivot Hub
5	1	Utility Mount
6	1	Tablet Mount Bracket
7	1	Carriage Bolt, 3/8-16 x 3/4"
8	1	Nylon Flat Washer, 3/8" ID
9	1	Wing Nut, 3/8-16
10	1	Elevator Bolt, 1/4-20 x 2"
11	1	Washer, 1/4" ID x 1" OD
12	1	Lock Nut, 1/4-20



ASSEMBLY

1. Push the Slider Assembly into the Base Assembly.

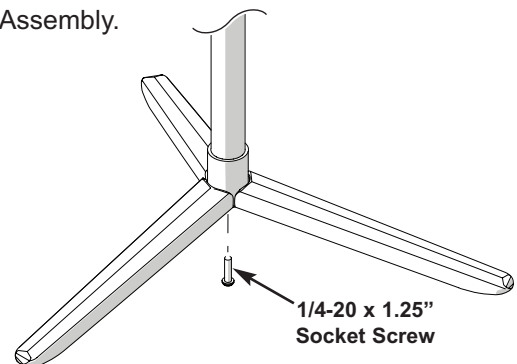
The Base Assembly may be tapped with a plastic or wood mallet until the Slider Assembly is flush with the bottom of the Base Assembly. Hold the Slider Assembly up from the ground and do not allow it to strike the ground while tapping the Base Assembly or it could be damaged.



Do Not Allow the Inner Tube to Strike the Ground

2. Attach the Base Assembly to the Slider Assembly using a 1/4-20 x 1.25" Socket Screw.

Tighten the Socket Screw using a 5/32" (4mm) hex key wrench until the Slider Assembly no longer rotates inside of the Base Assembly.



ASSEMBLY (CONTINUED)

3. Extend the inner tube of the Slider Assembly 3" to 4" (76 to 102 mm) to ease installation of the Pivot Hub.

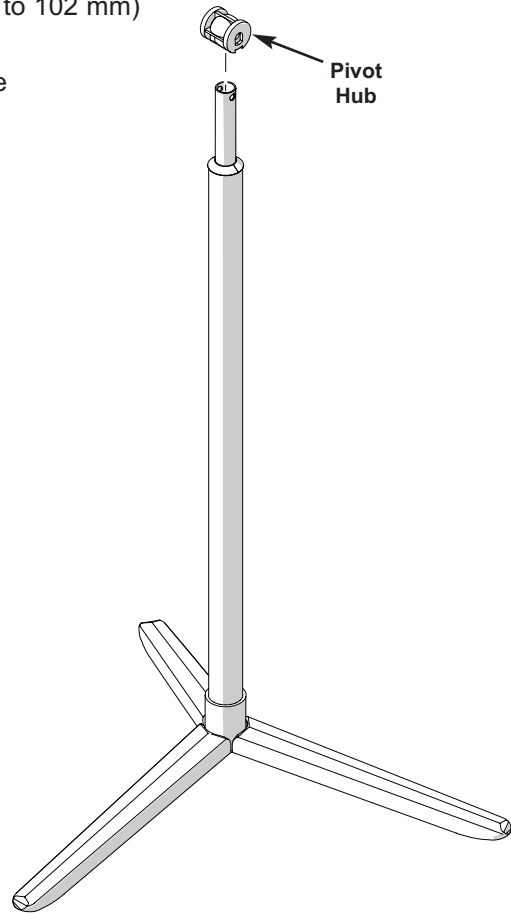
Insert an allen wrench through the holes at the end of the inner tube and use as a handle to extend the tube.

A pliers may also be used to grasp the wall of the inner tube to aid in extending it.

⚠ CAUTION

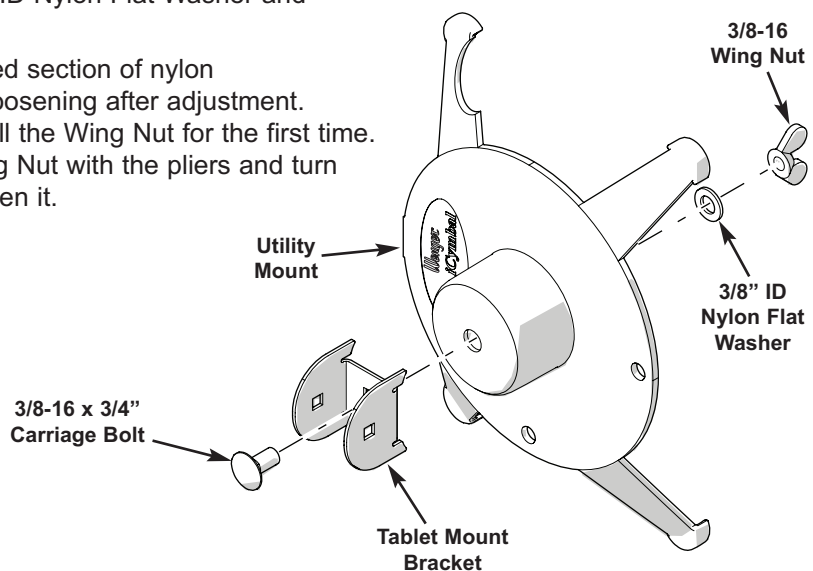
Be sure not to distort the shape of the inner tube with a pliers. Damage to the components could occur.

4. Place the Pivot Hub over the Tube Assembly and align the holes in both.



5. Attach the Utility Mount to the Tablet Mount Bracket using a 3/8-16 x 3/4" Carriage Bolt, 3/8" ID Nylon Flat Washer and 3/8-16 Wing Nut.

The Wing Nut has a non-threaded section of nylon that is intended to keep it from loosening after adjustment. A pliers may be required to install the Wing Nut for the first time. It may be easier to hold the Wing Nut with the pliers and turn the Tablet Mount Bracket to tighten it.

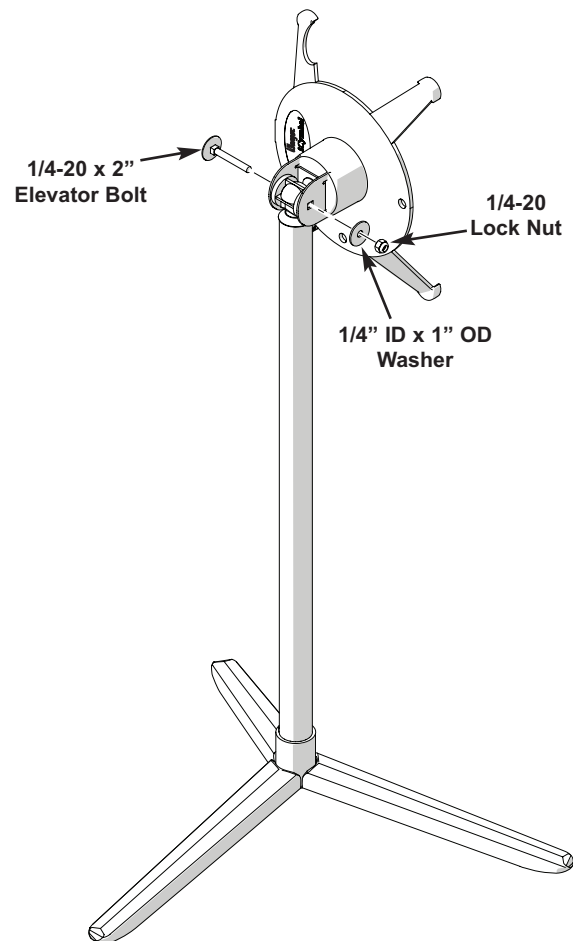


ASSEMBLY (CONTINUED)

6. Slide the 1/4-20 x 2" Elevator Bolt through the aligned holes.

Be sure that the square shoulder of the Elevator Bolt slips into the square hole of the Tablet Mount Bracket or the Utility Mount will not tighten properly.

Attach with a 1/4" ID x 1" OD Washer and 1/4-20" Lock Nut using a 7/16" (11 mm) box-end or socket wrench to adjust the desk pivot tension, as necessary.

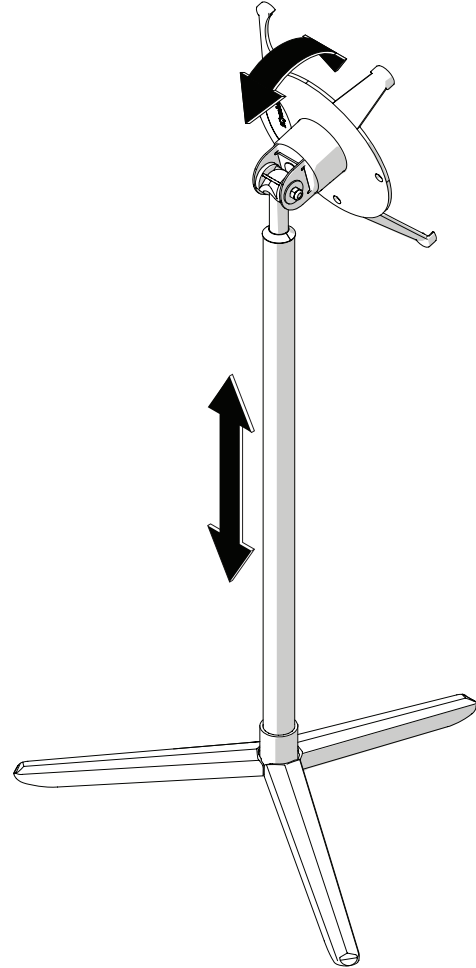


OPERATION

Use the Tablet Stand with care.

1. Move the inner tube of the Slider Assembly up or down to adjust the height of the desk.
2. Pivot the Utility Mount to the required angle.

Note: The tension for the angle can be tightened by adjusting the Lock Nut on the Elevator Bolt.



This page is intentionally blank.