

CONTENTS

Important User Information	2
General	2
Manufacturer	2
Warranty	2
Safety Precautions	3
Tools list	3
Parts / Fasteners	3
Installation of Leg Assembly	4
Installation of Lift Assist	5-7

Note: Please read and understand the Lift Assist Accessory Owner's Manual before attempting installation, assembly, or use.

Note: Remove all items from the shipping packaging and sort the components by type, size, etc. Refer to the illustrations on the following pages. If you need additional information about your Lift Assist Accessory, write, email, or telephone Wenger Corporation at the number or address below.

IMPORTANT USER INFORMATION

GENERAL

Copyright © 2008 by Wenger Corporation

All rights reserved. No part of the contents of this manual may be reproduced, copied, or transmitted in any form or by any means including graphic, electronic, or mechanical methods or photocopying, recording, or information storage and retrieval systems without the written permission of the publisher, unless it is for the purchaser's personal use.

Printed and bound in the United States of America.

The information in this manual is subject to change without notice and does not represent a commitment on the part of Wenger Corporation. Wenger Corporation does not assume any responsibility for any errors that may appear in this manual.

In no event will Wenger Corporation be liable for technical or editorial omissions made herein, nor for direct, indirect, special, incidental, or consequential damages resulting from the use or defect of this manual.

The information in this document is not intended to cover all possible conditions and situations that might occur. The end user must exercise caution and common sense when assembling or installing Wenger Corporation products. If any questions or problems arise, call Wenger Corporation at 1-800-733-0393.

MANUFACTURER

The Tourmaster 3-Step Riser is manufactured by:

Wenger Corporation
555 Park Drive
Owatonna, MN 55060
1-507-455-4100 • 1-800-733-0393
www.wengercorp.com

WARRANTY

The Lift Assist Accessory is guaranteed free of defects in materials and workmanship for five full years.

Our guarantee assures you of either a full refund or repair or replacement of the defective materials or workmanship without charge, at the discretion of our Customer Service Department. Just call a Customer Service Representative at 1-800-887-7145 and state the reason you are dissatisfied. If a product return is necessary, your representative will issue a return authorization. This is your sole remedy for breach of this warranty.

Should you have a question or problem with any Wenger product, don't hesitate to call, even if the product is past warranty. It's important to us that all our customers be satisfied.

This is the sole warranty made by Wenger. Wenger disclaims all other warranties, including the warranties of merchantability and fitness for a particular purpose, as well as all liability for incidental, consequential, special, and indirect damage. Wenger liability for direct damages shall be limited to the amount you paid for the product involved. Wenger reserves the right to make product changes without obligation to incorporate such changes into products previously sold.

Some states do not allow the exclusion or limitation of damages or warranties, so the above may not apply to you. This warranty gives you specific legal rights. You may also have other rights which vary from state to state.

SAFETY

Throughout this manual you will find **Cautions** which are defined as follows.

- **Caution;** failure to follow the instruction may result in injury or damage to property.

Read and understand the following instructions before using or installing any Instrument Lift Assist Accessory.

CAUTION
Make sure that anyone working on the Tourmaster 3-Step Riser has read and understands this manual.

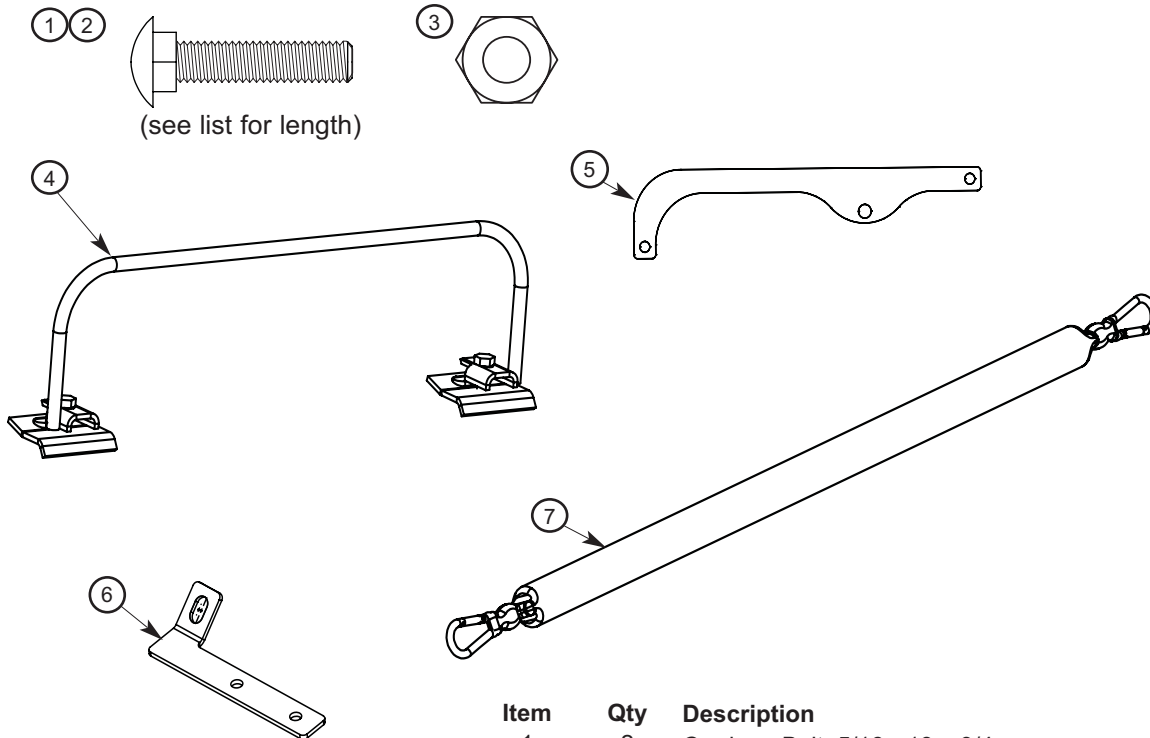
CAUTION
Failure to comply with Warnings and Cautions in this document and posted on the system equipment can result in damage to property or serious injury.

CAUTION
Some setup steps require two people to avoid injury.

TOOLS LIST

- 2 - 1/2" wrenches
- 2- 7/16" wrenches

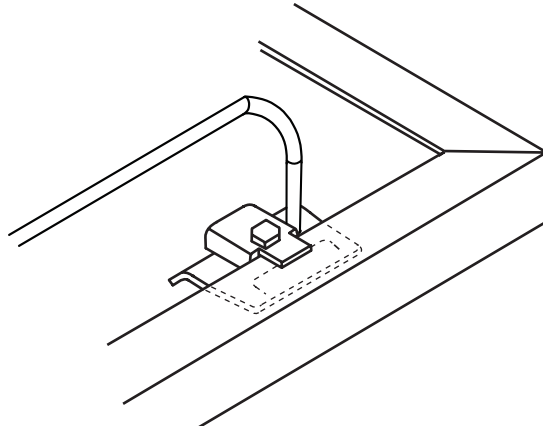
PART / FASTENER LIST



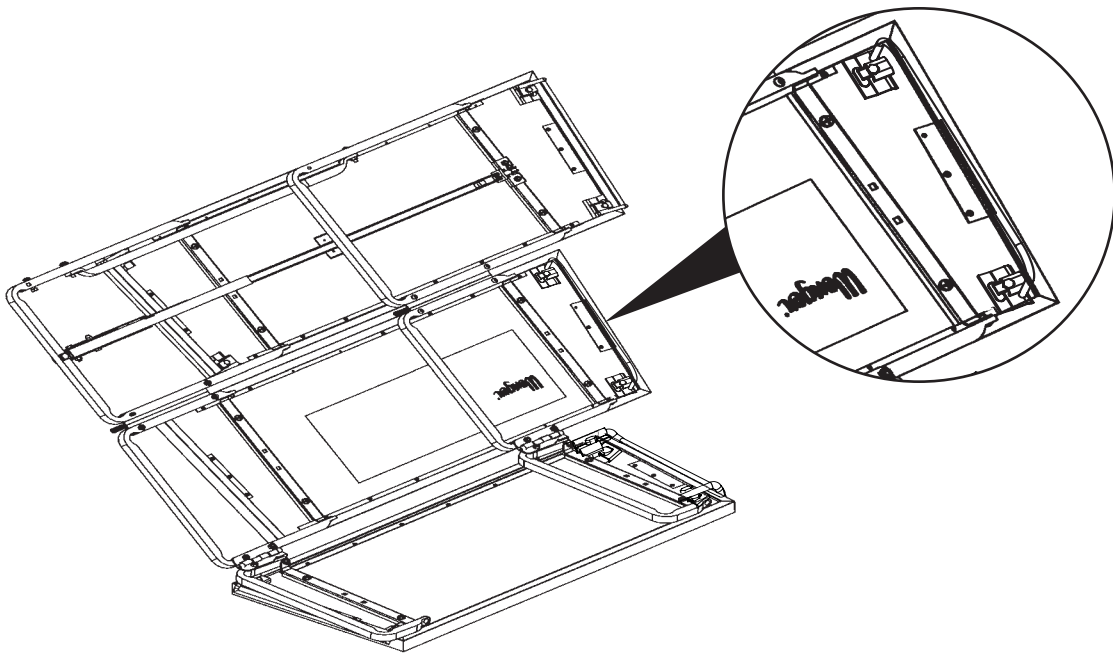
Item	Qty	Description
1	2	Carriage Bolt, 5/16 - 18 x 3/4
2	2	Carriage Bolt, 5/16 - 18 x 1 1/2
3	4	Lock Nut, 5/16
4	1	Leg Assembly
5	1	Lower Mount Plate
6	1	Upper Mount Plate
7	1	Spring Extension

INSTALLATION OF LEG ASSEMBLY

1. Place riser on it's back, steps face down in collapsed unfolded position.
2. Attach the leg assembly (#4) by, loosening the screws on the leg assembly as far as they will go.
3. Insert one of the clamp's brackets under the lip of the 2nd step. Hold the bracket in position with your finger, and finger-tighten the screw.
4. Attach the other end of the clamp the same way.
5. Recheck that the tab on both clamp brackets is fully caught under the lip of the step.

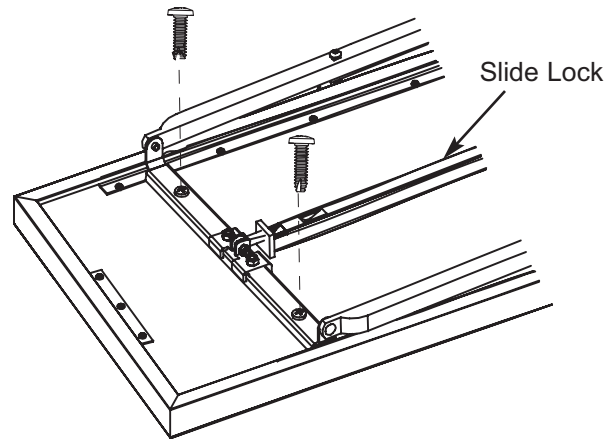


6. Center the clamp on the step (side-to-side) and tighten the screws securely.

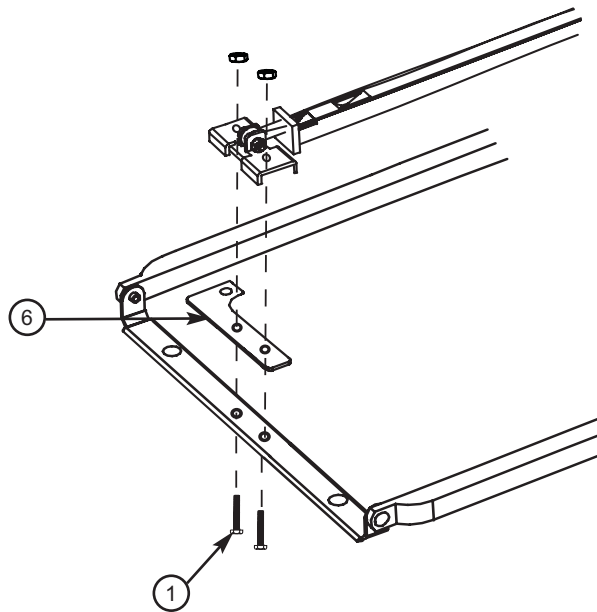


INSTALLATION OF LIFT ASSIST

- 1 Unbolt third (3rd) step from frame where the slide lock mounts to frame.

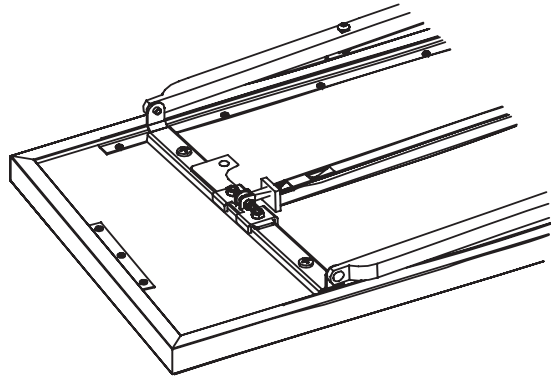


2. Unbolt slide lock from frame.
3. Replace bolts that hold the slide lock with carriage bolt, 5/16 -18 x 3/4 (#1).
4. Place the upper mount plate (#6) through bolts so the lift assist hole is to the front of the riser
5. Place slide lock bracket through bolts next to the upper mount plate.
6. Tighten bolts.

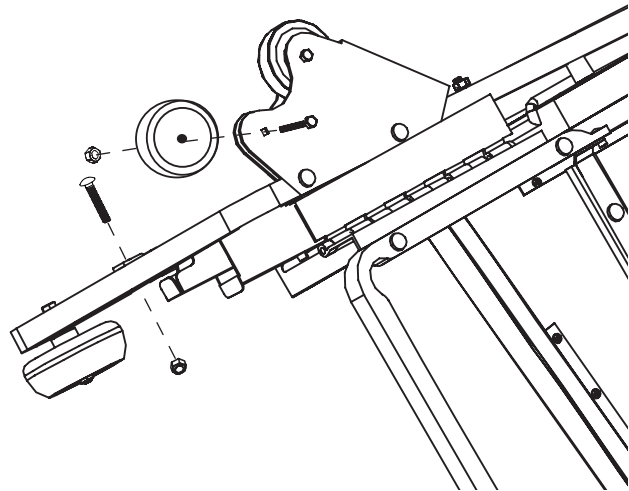


INSTALLATION OF LIFT ASSIST (CONTINUED)

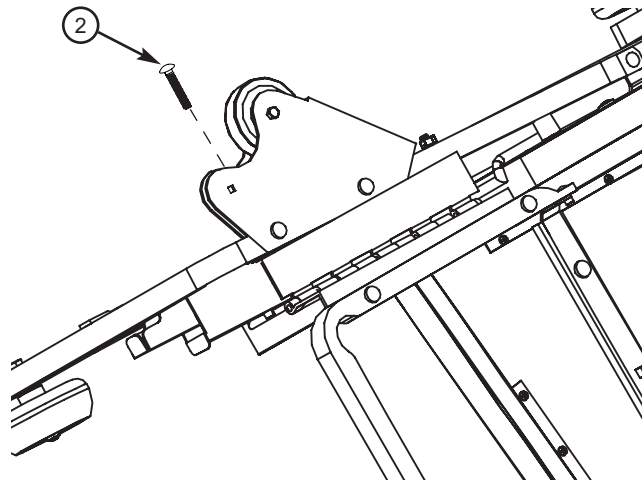
7. Bolt step back to the riser frame.
(Reverse of step 1)



8. On the opposite end of the riser, remove lower bolt of slide lock that mounts to the frame.
9. Remove front lower wheel.

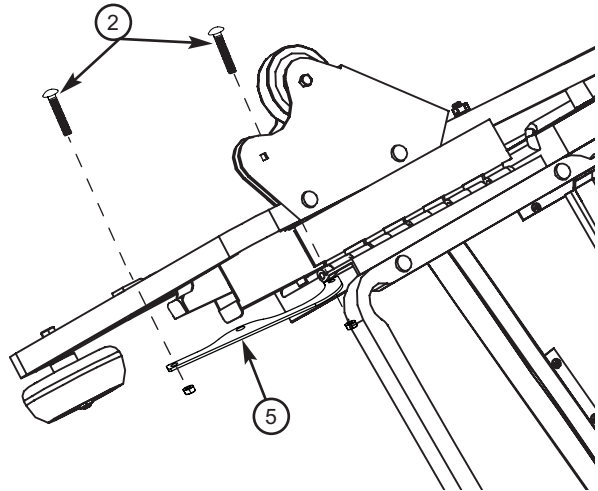


10. Remove bolt located on the inside of the wheel mounting bracket.
11. Install carriage bolt, 5/16 - 18 x 1 1/2 (#2).

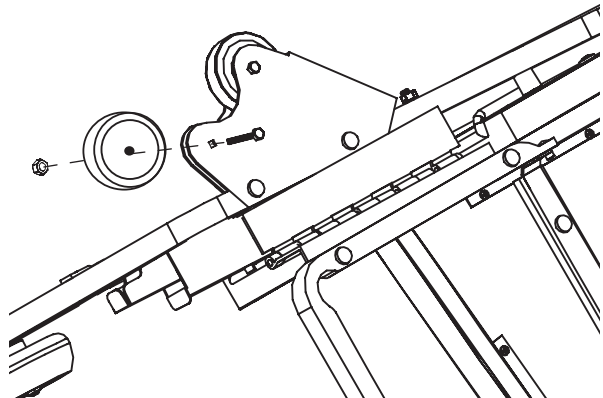


INSTALLATION OF LIFT ASSIST (CONTINUED)

12. Determine the width of the riser (either 18" or 24") and select the appropriate lower mount plate (#5).
13. Position the lower mount plate (#5) so that it lines up with the bolt holes at the slide lock and the bolt located where the wheel was removed.
14. Tighten bolts securing the lower mount plate to the frame.



15. Reinstall the wheel. (Refer to step 9)



⚠ CAUTION

The next step requires two people to avoid injury.

16. With the riser in performance position, lift the front of the riser and rest it onto its back.
17. Facing the front side of the steps, clip the spring to the upper mount plate (#5).
18. Stretch and connect the spring to the lower mount plate (#6).

Note: The spring does require a fair amount of force to secure the spring clip into the hole of the lower mounting plate (#6) Caution is advised.

