

Selecting Appropriate Panels	2
To Attach the Legs (If Removed)	3
To Raise a Shell Panel	4
To Attach Filler Panels (If Used)	6
To Arrange the Shells	6
Takedown, Storage, and Travel Options	7
Replacement Parts List	8
Maintenance	10
Warranty	10

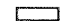

Please take a few minutes to read this manual and to familiarize yourself with TRAVELMASTER's unique operating features. If you should need additional information on your new Travelmaster Shell, just write or phone.

Selecting Appropriate Panels

No. of Standing Risers Used		Number of Panels Required		Feet of Coverage	
6' Riser	4' Riser	Basic Units	Filler Panels	Contracted	Expanded
2	2 - 3	2	1	8' 11"	9' 9"
3	4	3	2	14' 6"	16' 2"
4	5 - 6	4	3	20' 1"	22' 7"
5	7	5	4	25' 8"	29' 0"
6	8 - 9	6	5	31' 3"	35' 5"
7	10	7	6	36' 10"	41' 10"
8	11 - 12	8	7	42' 5"	48' 3"
9	13	9	8	48' 0"	54' 8"
10	14 - 15	10	9	53' 7"	61' 1"

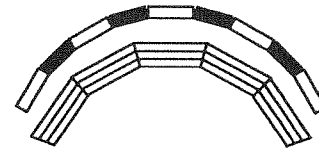
⚠ WARNING

Don't use the shell outdoors, because of wind hazard.

 Basic Unit (Shell Panel)
 Filler Panel

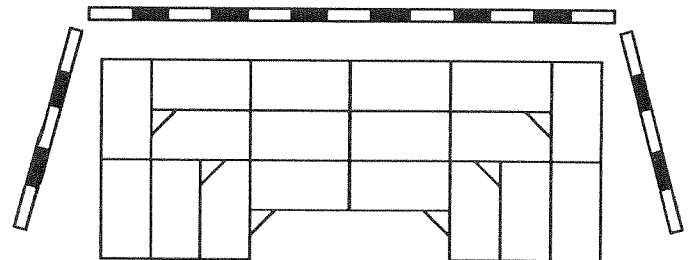
Behind Standing Choral Risers

1. Refer to the first column on the above chart, to find the size and number of risers that you are using.
2. Read across the chart to the right, to determine the appropriate number of basic units and filler panels.



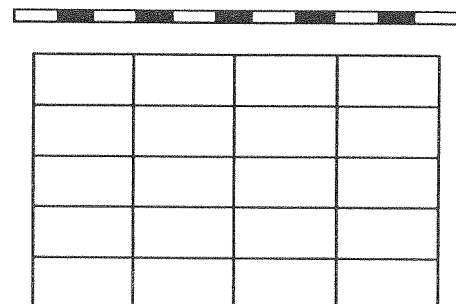
Behind Rectangular Band Risers

1. Determine the **back** dimension of your riser (in this example, 40').
2. Refer to the above chart. Under "Feet of Coverage", select from the "Expanded" column the dimension (41' 10") which is just larger than the back dimension (40') of your riser.
3. Repeat the procedure for both **sides** of the riser (in this example, 16' each).



Behind a Portable Stage

1. Determine the **back** dimension of your stage (in this example, 32').
2. Refer to the above chart. Under "Feet of Coverage", select from the "Expanded" column the dimension (35' 5") which is just larger than the back dimension (32') of your stage.
3. Repeat the procedure for the **side(s)** of the stage, if desired.



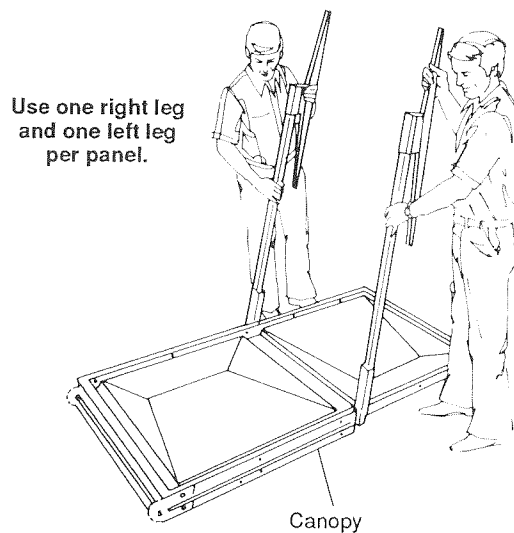
To Attach the Legs (If Removed)

Step 1

Place the panel assembly on the floor, with the canopy facing down.

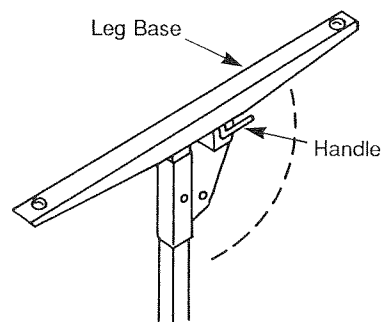
Step 2

Attach the two legs at the desired height, by inserting the pin (on the end of the leg) into the hole on the panel's side tube.



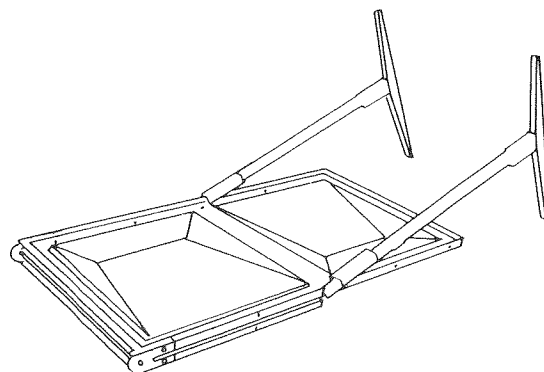
Step 3

Pull the leg handle, and pivot the leg base to the set-up position. The handle will lock into place.



Step 4

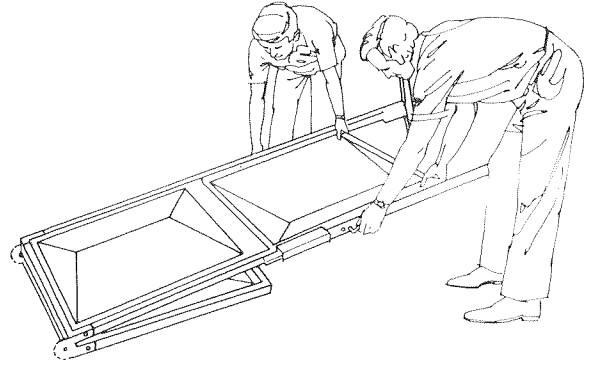
Lower the legs until the leg base rests on the floor.



To Raise a Shell Panel

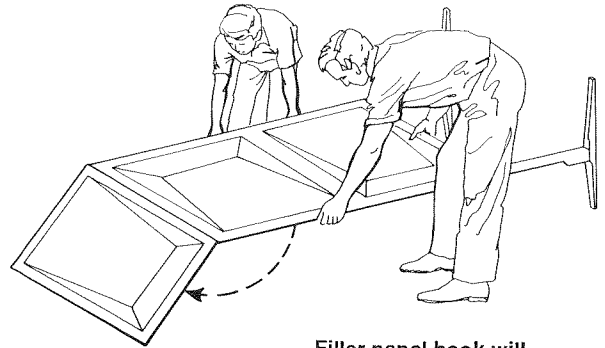
Step 1

Disengage the pin on the leg. Lift the panel, and engage the pin into the panel.



Step 2

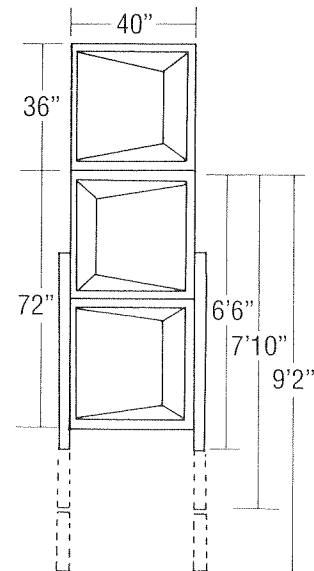
Lift the panel high enough to pivot the canopy to its first setting.



Filler panel hook will engage only if canopy is in first setting.

Step 3

Adjust the length of the panel legs (pick one of the three positions).

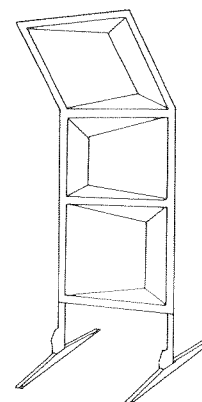


Step 4

Set the panel upright.

Step 5

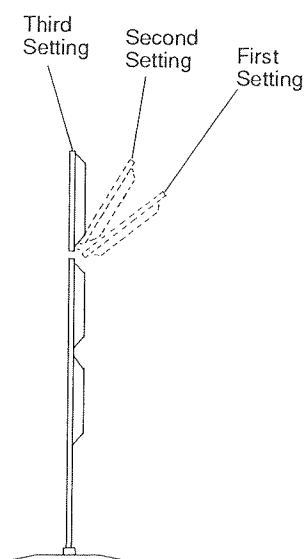
Raise all other shell panels in the same way.



Step 6

Set the shell canopies at the desired angle.

NOTE: If filler panels are to be used, attach them before changing the canopy settings.



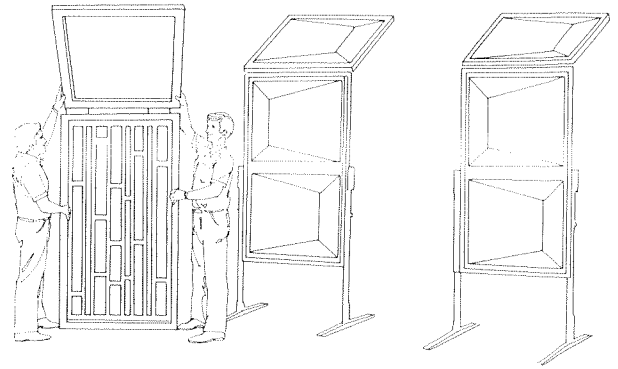
To Attach Filler Panels (If Used)

Step 1

Arrange the shell panels in their approximate location for use, about 3 feet apart.

Step 2

Raise a filler panel to its vertical position.



Step 3

Rest the filler panel's canopy on the canopies of two shell panels. Hook the filler panel into position on the shell panels (from the back side), as shown in the inset.

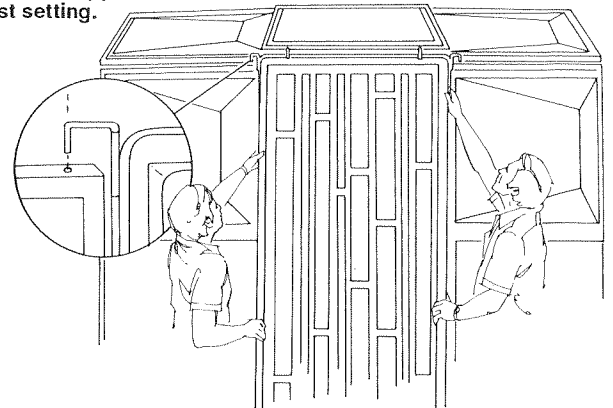
The filler panel hook will engage *only* when the shell canopy is in its first setting.

Step 4

Raise the filler panel's canopy and rest it on the canopies of the two shell panels.

Step 5

Install all other filler panels in the same way.



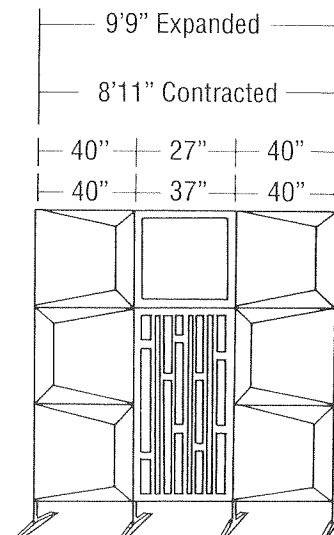
To Arrange the Shells

Step 1

Arrange the shells in the desired configuration.

Step 2

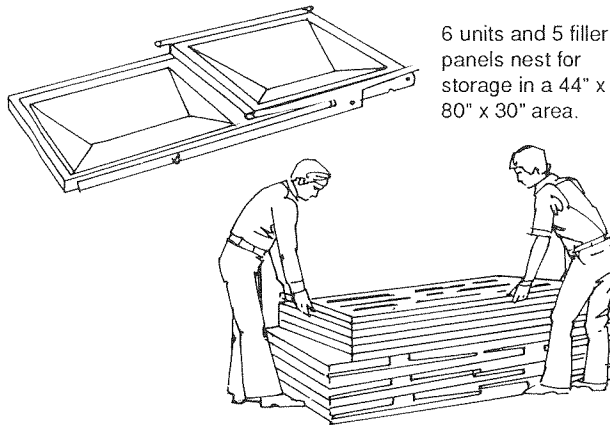
Expand or contract shell coverage as shown, by sliding the units apart or together.



Takedown, Storage, and Travel Options

OPTION 1: Minimum Space

1. Remove filler panels.
2. Place unit on floor with canopy folded.
3. Fold and remove leg assemblies.
4. Reattach legs to opposite side of unit.
5. Stack units, reversing every other unit.
6. Stack filler panels on top of units, reversing every other panel.

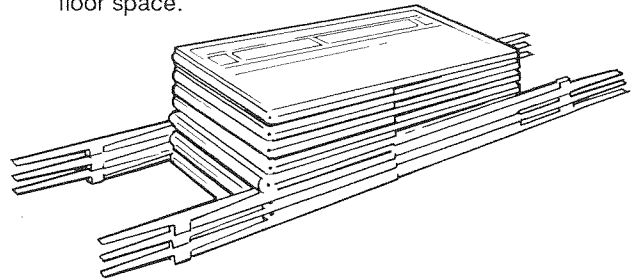


The shell may be stored or transported in different ways, depending on available space.

OPTION 2: Minimum Effort

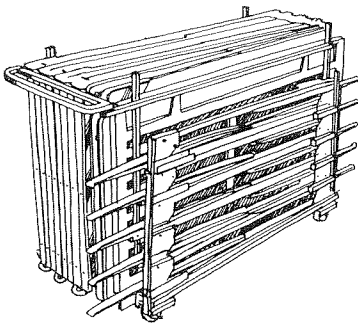
1. Remove filler panels.
2. Place unit on floor with canopy folded.
3. Fold leg assemblies.
4. Stack units as in Option 1.

NOTE: Legs will extend beyond shell unit, requiring more floor space.



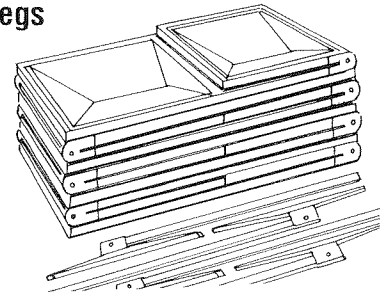
OPTION 4: Using a Storage Cart

Travelmaster's Transport/Storage Cart holds 5 shell panels and 4 filler panels. Follow the instructions supplied with the Cart.



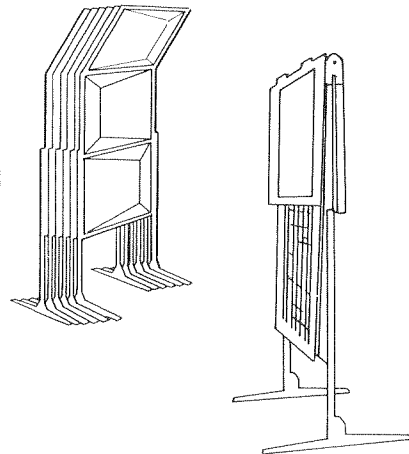
OPTION 3: Without Legs

Follow steps 1 through 3 in Option 1; then stack leg assemblies beside shell units.



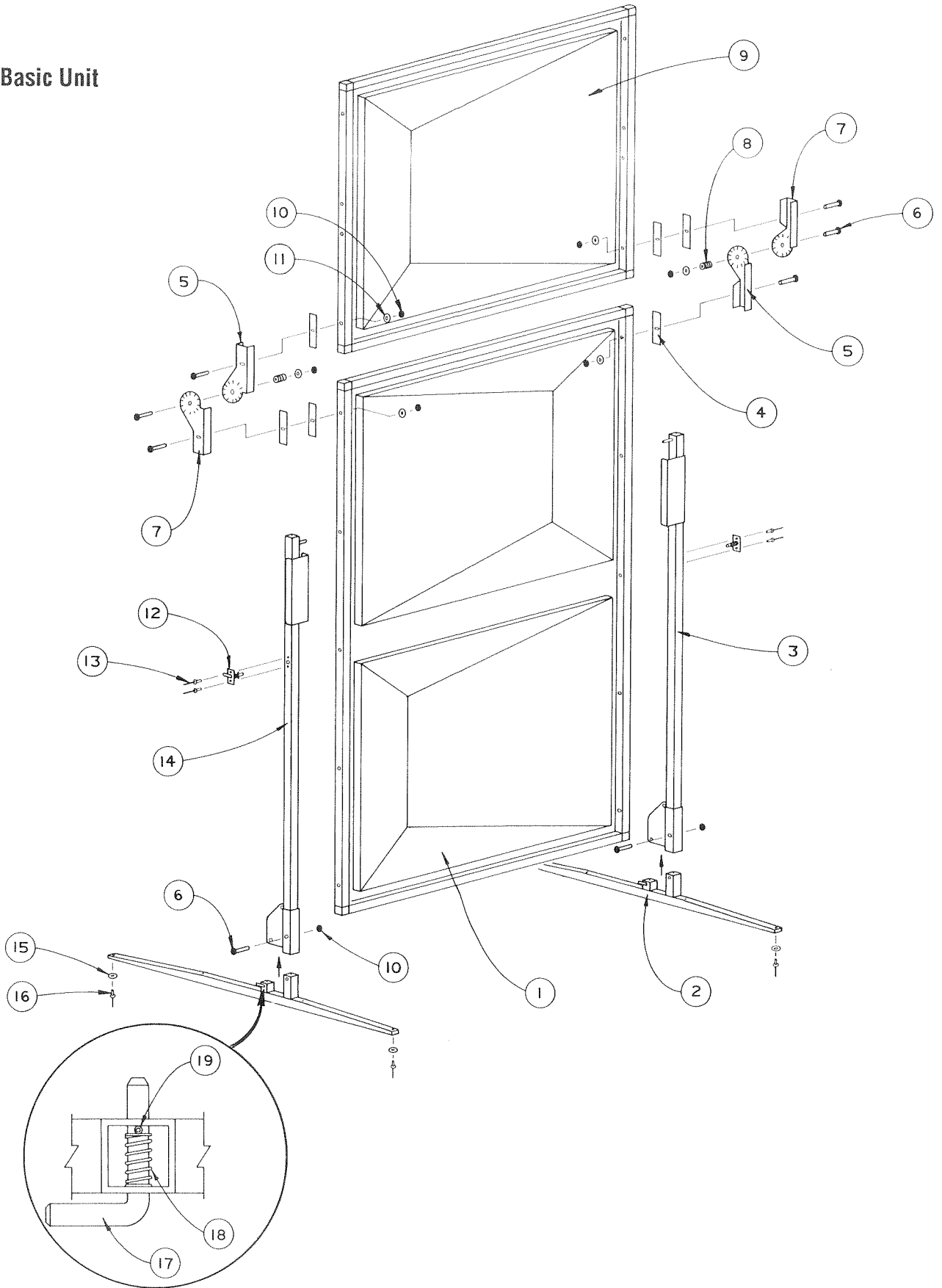
OPTION 5: Nesting

1. Remove filler panel.
2. Nest units against the wall with canopy either up or down.
3. Filler panel may be attached to back side of shell when canopy is lowered.



Replacement Parts List

Basic Unit



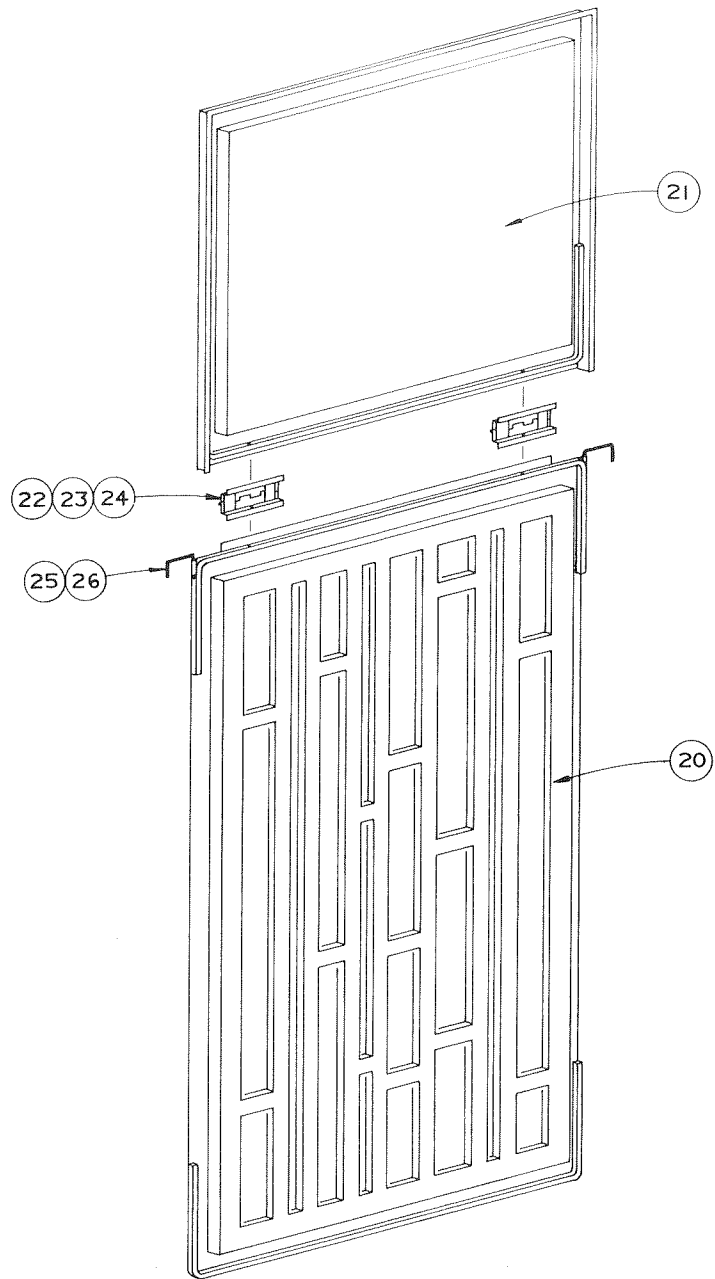
Ordering Replacement Parts

Replacement parts for your Travelmaster Shell can be ordered from Wenger Corporation by:

PHONE: USA, call (800) 733-0393
 International, call collect
 (507) 455-4100
 FAX: (507) 455-4258
 MAIL: Wenger Corporation
 555 Park Drive
 P. O. Box 448
 Owatonna, Minnesota,
 USA 55060-0448

When ordering replacement parts, always indicate the product name, model, and serial number – refer to the name plate on the back of the panel.

Filler Panel



Item	Qty.	Description
1	1	Panel Assembly, Lower
2	2	Base Assembly
3	1	Post Assembly, Right-Hand
4	6	Spacer, Hinge
5	2	Hinge Half, Right-Hand
6	6	Capscrew
7	2	Hinge Half, Left-Hand
8	2	Spring, Hinge
9	1	Panel Assembly, Upper
10	6	Locknut
11	6	Washer
12	2	Pin Assembly, Lock
13	4	Rivet, Blind, 0.402" Long
14	1	Post Assembly, Left-Hand
15	4	Glide
16	4	Rivet, Blind, 0.652" Long
17	2	Pin, Lock
18	2	Spring, Lock Pin
19	2	Pin, Spring, 5/8" Long
20	1	Panel, Filler, Lower
21	1	Panel, Filler, Upper
22	2	Hinge, Filler Panel
23	4	Screw, Machine
24	4	Nut
25	2	Hook
26	2	Pin, Spring, 1/2" Long

Maintenance

Mechanical Check

From time to time, check all fasteners for tightness.

Also check for worn or loose pivots or latches, and maintain enough tension on the hinge spring to hold the canopy in desired positions.

Replace worn or broken parts promptly. Refer to the Replacement Parts List.

Cleaning

Clean the panel surfaces with any standard nonabrasive household cleaner.

Warranty

Wenger Travelmaster Shell panels are guaranteed free of defects in materials and workmanship for three full years.

Our guarantee assures you of either a full refund or repair or replacement of the defective materials or workmanship without charge, at the discretion of our Customer Service Department. Just call a Customer Service Representative at 1-800-733-0393 and state the reason you are dissatisfied. If a product return is necessary, your Representative will issue a return authorization. This is your sole remedy for breach of this warranty.

Should you have a question or problem with any Wenger product, don't hesitate to call, even if the product is past warranty. It's important to us that all our customers be satisfied.

This is the sole warranty made by Wenger. Wenger disclaims all other warranties, including the warranties of merchantability and fitness for a particular purpose, as well as all liability for incidental, consequential, special, and indirect damage. Wenger liability for direct damages shall be limited to the amount you paid for the product involved. Wenger reserves the right to make product changes without obligation to incorporate such changes into products previously sold.

Some states do not allow the exclusion or limitation of damages or warranties, so the above may not apply to you. This warranty gives you specific legal rights. You may also have other rights which vary from state to state.