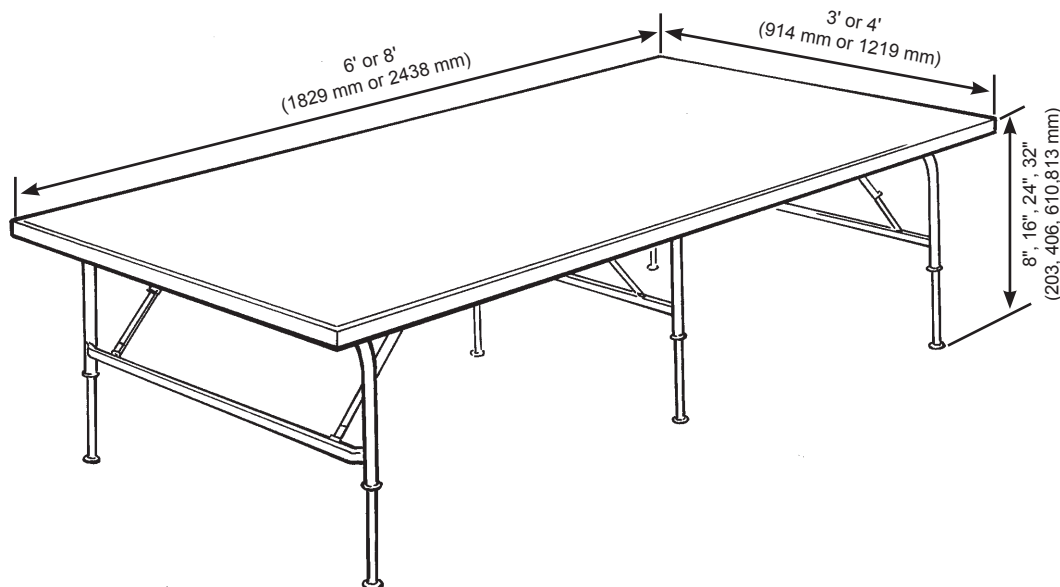


# Trouper® Platforms

- Decks are available in the following sizes:  
4' x 8' (1219 x 2438 mm), 4' x 6' (1219 x 1829 mm), 3' x 8' (914 x 2438 mm), 3' x 6' (914 x 1829 mm), choral pies-3' (914 mm) depth, band/orchestra pies-4' (1219 mm) depth.
- Rectangular decks are available in the following heights: 8" (203 mm) fixed height, 16" (406 mm) fixed height, 24" (610 mm) fixed height, 32" (813 mm) fixed height, 16"/24" (406/610 mm) dual height, 24"/32" (610/813 mm) dual height.  
Folds flat to a storage height of 2-5/8" (67 mm).
- Decks are available in the following surfaces:  
Black: 3/4" (19 mm) 7-ply plywood with a black slip resistant thermally fused overlay.  
Grey carpet: 3/4" (19 mm) 7-ply plywood with 1/8" (3 mm) (approximate pile height) manufacturer's standard grey carpet.
- Legs are one-piece, 16-gauge, 1-1/4" (32 mm) tubular steel with a reinforcing cross member.
- Legs are designed to open in one motion and are automatically locked in place by a spring-loaded clip.
- Wrap around 16-gauge steel provides strength and protects the deck edge from damage.
- Frame clamps are a quick cam-type lock for positive locking to the frame of the adjacent unit.  
One clamp per side of each stage unit, which provides two clamps per side when units are locked together.
- Environmental attributes and LEED compliance for this product can be found at [www.wengercorp.com/GREEN](http://www.wengercorp.com/GREEN) or by contacting your Wenger representative.
- Five year warranty.



## Accessories

### Transport Carts

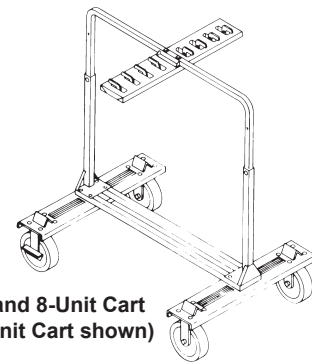
- 6-, 8-, and 12-unit storage/transport carts are available.
- 12-unit cart suggested when storing/transporting non-rectangular units.
- 3-, 6-, and 12-unit carts fit through a 36" (914 mm) door; eight-unit cart requires a double door.

### Stairways

- 2-step 113B016 68 lbs (31 kg)/3-step 113B026 88 lbs (40 kg).
- Stairways include permanently attached handrails for safety and non-slip safety treads.
- Steps measure 39" (991 mm) long x 11" (280 mm) wide.

### Rails

- Guardrails comply with many building code requirements for loading.
- Guardrails are available with either two cross bars or an infill panel that complies with the 4" (102 mm) sphere rule that appears in many building codes. Both designs incorporate a chair stop.
- Guardrails are 42" (1067 mm) high with a black powder-coat paint finish. Chair stop has a dark grey powder-coat paint finish.
- Guardrails clamp to the stage without the need for tools.
- Guardrail Cart: 011D800 91 lbs (41 kg) stores up to eight Trouper guardrails.

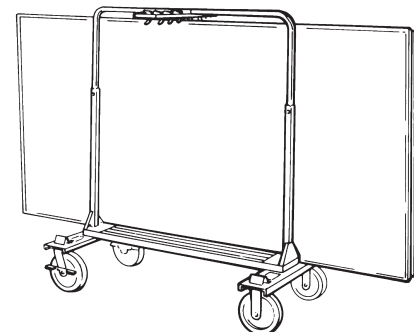


6- and 8-Unit Cart  
(8-Unit Cart shown)

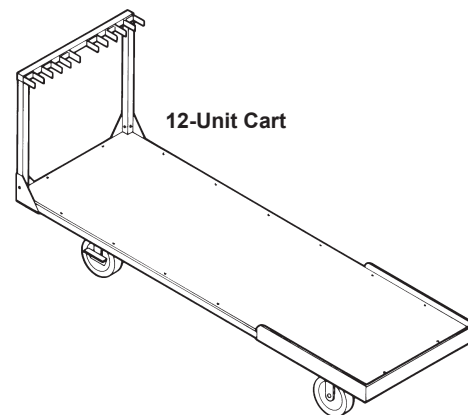
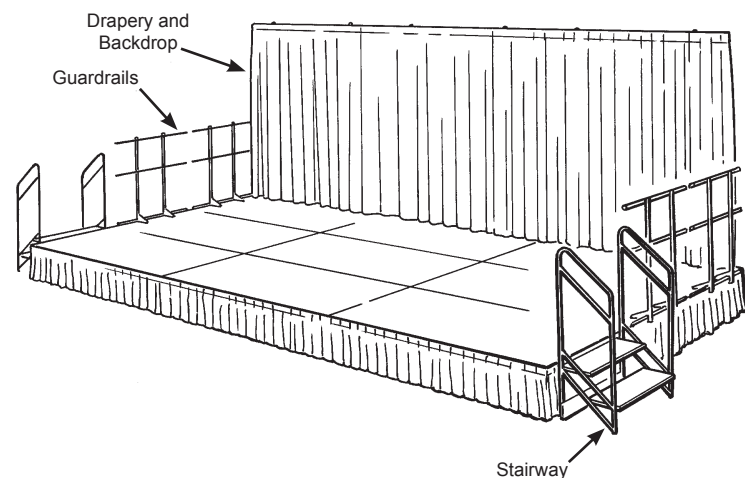
### Drapery and Backdrop

- Drapery closures are available in heights to match the staging elevations.
- Dual height drapery is available for the dual height stages.
- Drapery available in a wide variety of colors. 100% fire retardant woven polyester.
- Drapery attaches with hook and loop fastening system.
- Backdrop frame attaches to guardrails for safety. When installed backdrop is 8' (2439 mm) above the stage. Available in 4' (1219 mm), 6' (1829 mm), and 8' (2439 mm) widths.

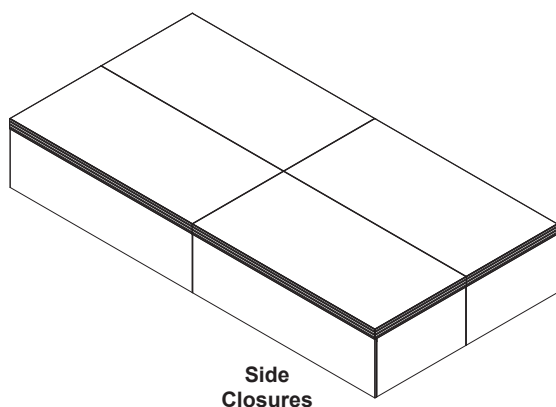
Loaded 8-Unit Cart



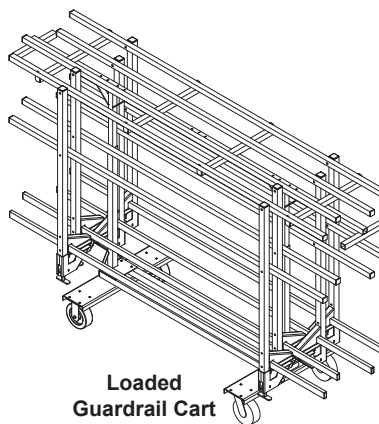
### Guardrail, Stairway, Backdrop and Drapery



12-Unit Cart



Side Closures



Loaded Guardrail Cart

Wenger®

JRCLANCY

GEARBOSS®

© 2017 Wenger Corporation  
USA/2017-12/W



#### WENGER CORPORATION

Phone 800.4WENGER (493-6437) Worldwide +1.507.455.4100 | Fax 507.455.4258 Worldwide +1.507.774.8576  
Parts & Service 800.887.7145 | Canada Office 800.268.0148 | Web wengercorp.com | 555 Park Drive, PO Box 448 | Owatonna | MN 55060-0448

#### JR CLANCY

Phone 800.836.1885 Worldwide +1.315.451.3440 | Fax 877.836.1885 Worldwide +1.315.451.1766 | Web jrclancy.com  
7041 Interstate Island Road | Syracuse | NY 13209-9713

#### GEARBOSS

Phone 800.493.6437 | email gearboss@wengercorp.com | Web gearboss.com | 555 Park Drive, PO Box 448 | Owatonna | MN 55060-0448