

Trouper® Storage Carts

6-Unit Storage Cart

- 130C001 91 lbs (41 kg).
- All steel construction. Zinc plated.
- Dimensions: Empty: 30" wide x 55" long x 59-1/4" high (762 x 1397 x 1505 mm)
Loaded: 30" wide x 96" long x 59-1/4" high (762 x 2438 x 1505 mm).
- 8" diameter casters. two swivel and two rigid. Swivel casters lock for safety.
- Stage unit is simply rotated off cart and into position.
- Fits through standard 36" (914 mm) doorway.

8-Unit Storage Cart

- 130C002 99 lbs (45 kg).
- All steel construction. Zinc plated.
- Dimensions: Empty: 37-1/2" wide x 54" long x 60-1/2" high (953 x 1372 x 1537 mm)
Loaded: 37-1/2" wide x 96" long x 60-1/2" high (953 x 2438 x 1537 mm).
- 8" (203 mm) diameter casters. two swivel and two rigid. Swivel casters lock for safety.
- Stage unit is simply rotated off cart and into position.
- 40" (1016 mm) doorway required.

12-Unit Storage Cart

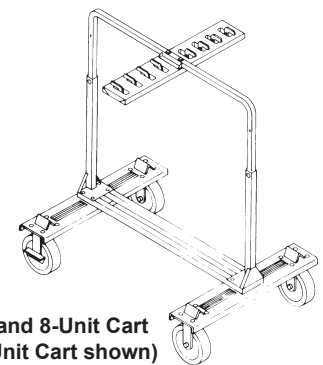
- 2289004 156 lbs (71 kg).
- All steel construction. Zinc plated.
- Dimensions: Empty: 32" wide x 99-1/4" long x 47-1/4" high (813 x 2521 x 1200 mm)
Loaded with 36" units: 32" wide x 99-1/4" long x 47-3/4" high (813 x 2521 x 1213 mm).
Loaded with 48" units: 32" wide x 99-1/4" long x 59-3/4" high (813 x 2521 x 1518 mm).
- Stage unit is simply rotated off cart and into position.
- Fits through standard 36" (914 mm) doorway.

Guardrail Cart

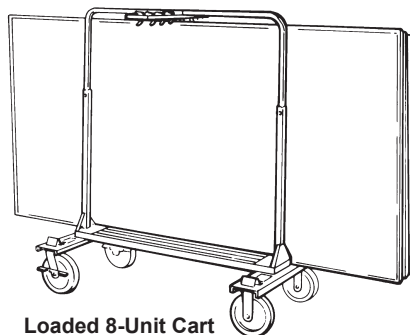
- 011D800 (91 lbs) (41 kg).
- Stores up to eight Trouper guardrails.
- Dimensions (loaded or unloaded): 27" w x 99" l x 59" h (686 x 2515 x 1499 mm)
- Ideal for space efficient storage of guardrails.

Five-year warranty on storage carts.

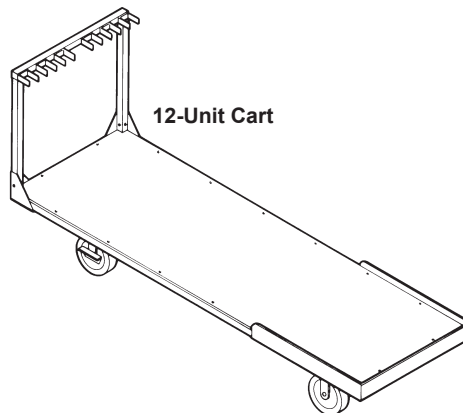
Environmental attributes and LEED compliance for these products can be found at www.wengercorp.com/GREEN or by contacting your Wenger representative.



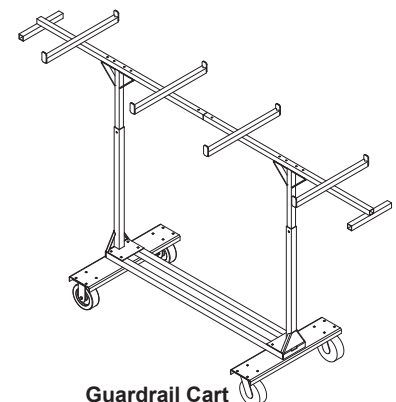
6- and 8-Unit Cart
(8-Unit Cart shown)



Loaded 8-Unit Cart



12-Unit Cart



Guardrail Cart



© 2017 Wenger Corporation
USA/2017-12/W



WENGER CORPORATION

Phone 800.4WENGER (493-6437) Worldwide +1.507.455.4100 | Fax 507.455.4258 Worldwide +1.507.774.8576
Parts & Service 800.887.7145 | Canada Office 800.268.0148 | Web wengercorp.com | 555 Park Drive, PO Box 448 | Owatonna | MN 55060-0448

JR CLANCY

Phone 800.836.1885 Worldwide +1.315.451.3440 | Fax 877.836.1885 Worldwide +1.315.451.1766 | Web jrclancy.com
7041 Interstate Island Road | Syracuse | NY 13209-9713

GEARBOSS

Phone 800.493.6437 | email gearboss@wengercorp.com | Web gearboss.com | 555 Park Drive, PO Box 448 | Owatonna | MN 55060-0448