

BEFORE YOU BEGIN

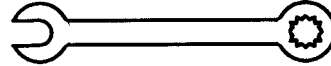
NOTE: The 12-Unit Storage Cart can be used for transporting and storing Wenger Trouper™ staging.

Read the complete assembly procedure before you start to assemble the cart.

Cut and remove the metal banding and wood cover used for shipping. Remove all items from the shipping carton, and lay them out approximately in their final position. Refer to the assembled drawing below, and to the exploded drawings on the other side of the sheet.

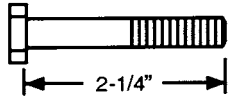
TOOLS REQUIRED

Two 9/16" open-end or socket wrenches.



FASTENERS USED

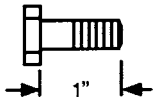
① Capscrew:



② Lock Nut:

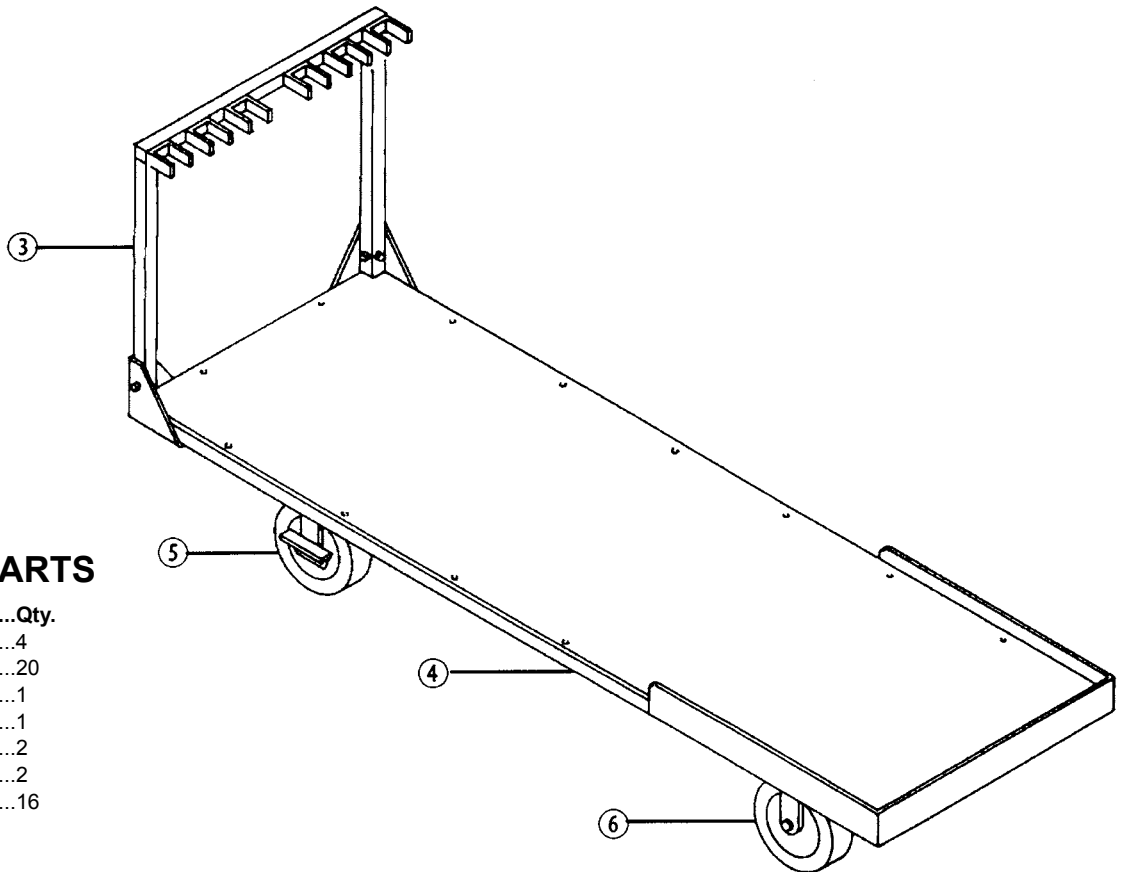


⑦ Capscrew:

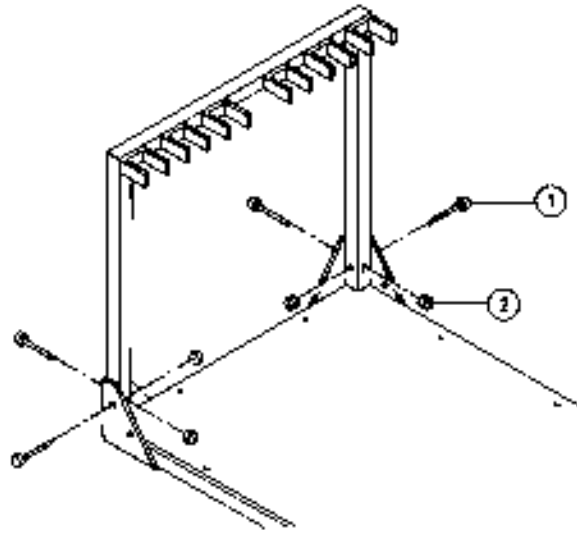


REPLACEMENT PARTS

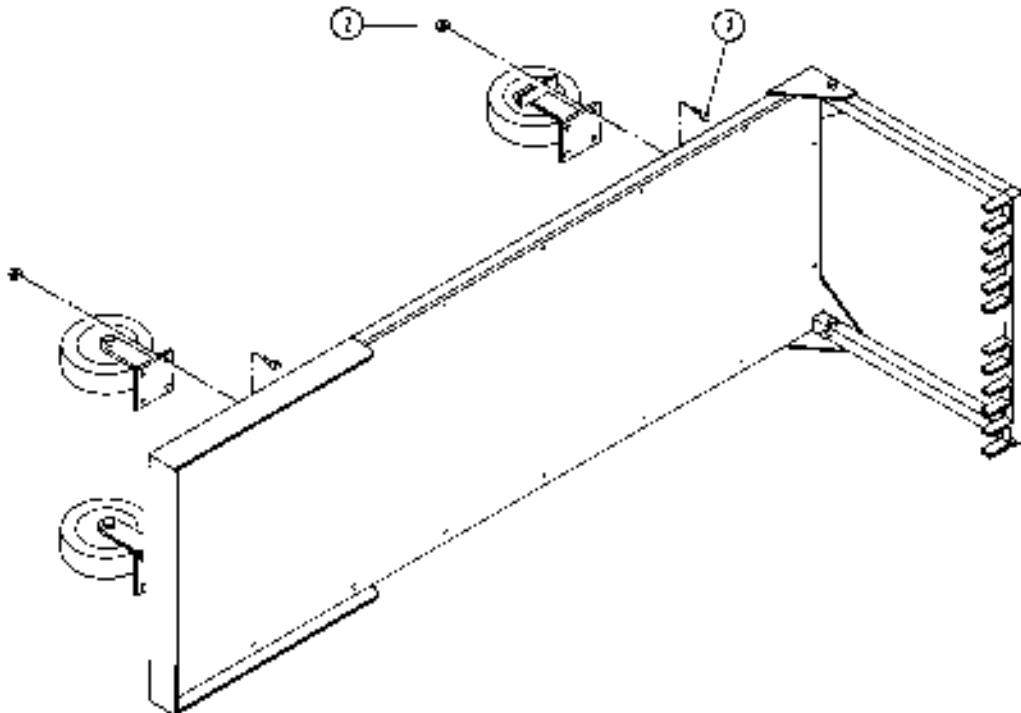
Item Description.....	Qty.
1 Capscrew, 3/8" x 2-1/4".....	4
2 Lock Nut, 3/8".....	20
3 End Bracket Assembly.....	1
4 Base Frame Assembly.....	1
5 Swivel Caster.....	2
6 Rigid Caster.....	2
7 Capscrew, 3/8" x 1".....	16



ASSEMBLY



1. Remove the four capscrews and lock nuts from the end bracket assembly (3).
2. Raise the end bracket to its upright position.
3. Secure the end bracket at the *upper* set of holes in the corners of the base frame (4), using four capscrews and lock nuts. Tighten the fasteners securely.



4. Tip the cart onto its side.
5. Attach the two swivel casters (5) at the bracket assembly end of the cart, using four capscrews and nuts for each caster.
6. Attach the two rigid caster (6) in the same manner at the opposite end of the cart.