



Upgrade Instructions Trouper™ Closure Panels

CONTENTS

| | |
|--|---|
| Safety Precautions | 2 |
| Important User Information | 2 |
| Required Tools | 3 |
| Upgrade Description | 3 |
| Upgrade Instructions | 4 |
| Floor Level Closures | 4 |
| Elevation Closures | 5 |
| Assembly Instructions | 6 |
| Riser Assembly | 6 |
| Floor-Level Closure Assembly | 8 |
| Elevation Closure Assembly | 8 |

This publication includes upgrade instructions for the Trouper Platform System.

Please take a few minutes to read and understand these instructions. If you should need additional information, just write or call.

For more detailed assembly, installation and owners instructions, see the “Trouper and Stagehand Platform Systems Owner’s Manual” Part #176A700.

SAFETY PRECAUTIONS

Throughout this manual, you will find **CAUTIONS** and **WARNINGS**:

- **WARNING** means that if safety information is not followed someone could be seriously injured or killed.
- **CAUTION** means that if safety information is not followed the platform could be damaged or personal injury could result.

SETUP

Insist that anyone who assists with this upgrade of the Trouper Platform System be familiar with these instructions.

PLATFORM STABILITY

All platform units must be locked together using the unit-to-unit clamps beneath the stage surface. These clamps are designed for use only with one-level stage sets. Do not set up a multilevel stage using Trouper units unless adequate special clamping is provided to secure the levels together. See “Riser Assembly” on page 6 for more information.

Trouper platforms are designed for level surfaces only and contain no provision for adjusting leg heights.



IMPORTANT USER INFORMATION

INSTALLATION

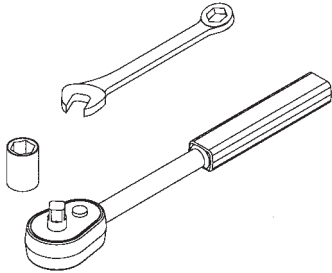
- The Trouper Closure Panel upgrade must comply with local building regulations and codes.
- Personnel installing the Trouper Closure Panel must comply with the instructions listed under “Safety Precautions”.

INTENDED USE

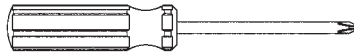
- The Trouper Closure Panels are intended for indoor use in normal ambient temperature and humidity conditions — they must not be exposed to prolonged outside weather conditions.
- The Trouper Closure Panels are intended to be installed only as described in these instructions.

REQUIRED TOOLS

The following tools must be available to upgrade the Trouper Closure Panel system:



3/8 " Combination Wrench or
Ratchet with 3/8 Socket



Phillips Head Screwdriver

UPGRADE DESCRIPTION

The components provided for the Trouper Closure Panel upgrade includes:

- Updated Front Floor-Level Closure Clips
- Updated Elevation Closure Positioning Brackets
- Updated Replacement Clips
- New Interlocking Leg Spacers.

The updated clips and brackets are made of an upgraded material to better resist material fatigue. The replacement clips look identical to the existing sets.

NOTE: Be sure not to mix new replacement parts with the old parts.

The interlocking leg spacers are machine cut wood blocks that have features that allow them to lock together like puzzle pieces. The interlocking leg spacers are intended to replace the metal leg spacers that were initially provided with the Trouper riser set.

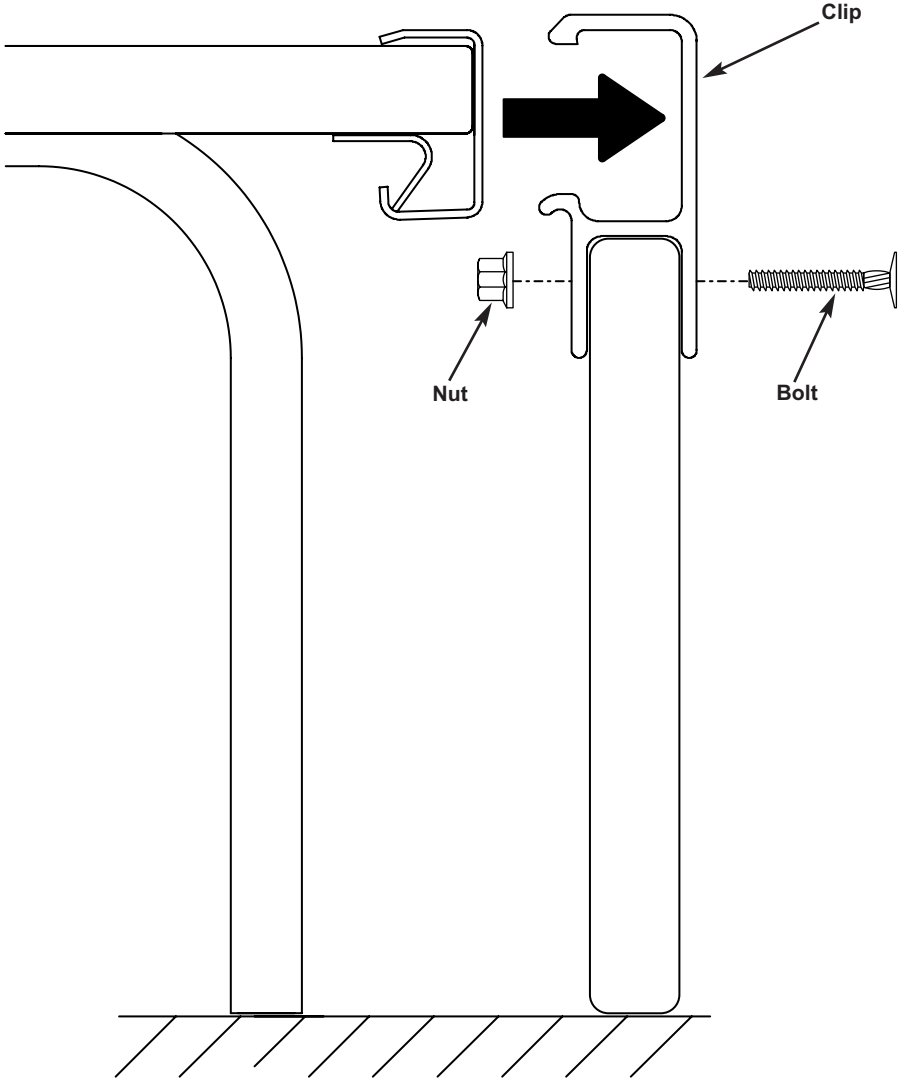
NOTE: Interlocking leg spacers are used only to connect rectangular platform units together.

Continue to use the original metal spacer assemblies to connect pie-shaped platform units together. The Interlocking leg spacers are also used as a backstop for the front closures.

UPGRADE INSTRUCTIONS

FLOOR-LEVEL CLOSURES

- 1. Remove all floor-level closure panels from the riser set (if riser set is assembled).
- 3. Replace the clips on the front and side floor level closures:
 - a. Use a 3/8" wrench or ratchet to loosen the nut.
 - b. Remove the nut and push out the bolt.
Keep these for installing the new clip.
 - c. Pull off the old clip and discard.
 - d. Attach the new clip to the same location using the existing hardware.

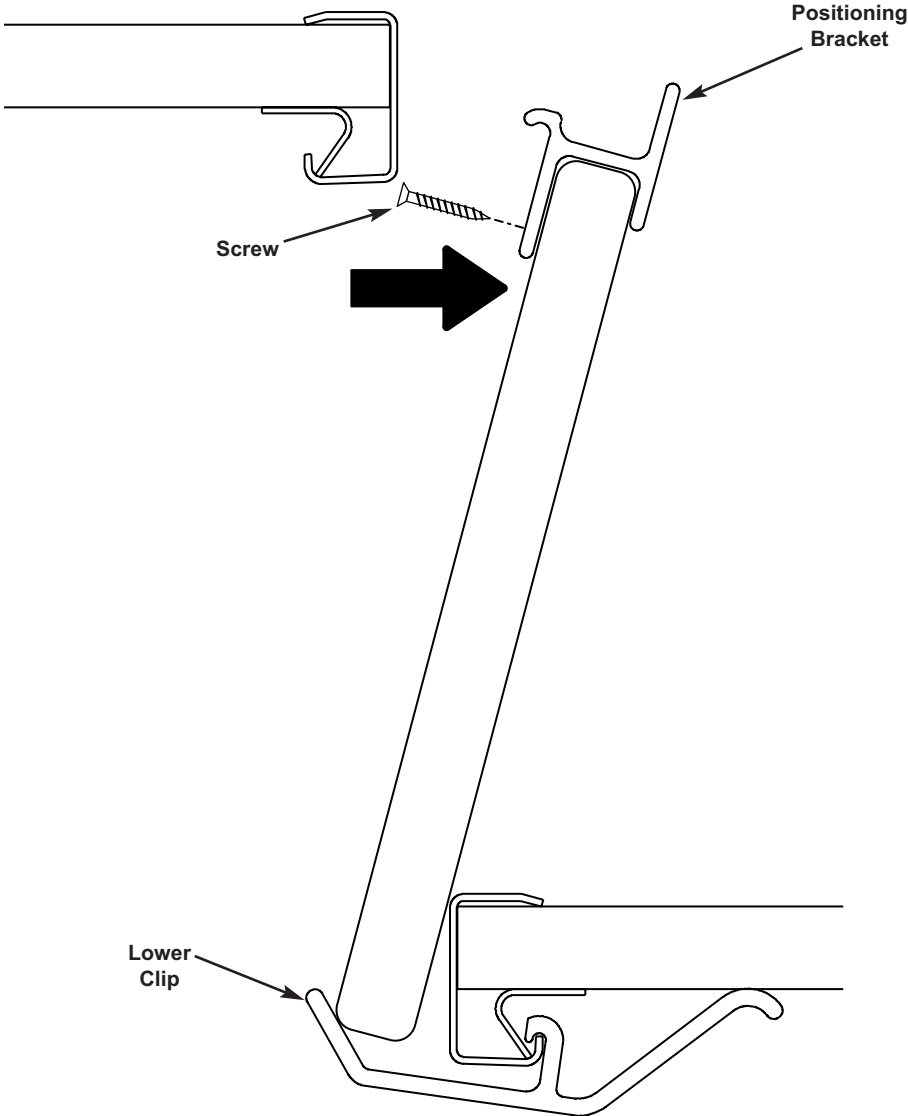


UPGRADE INSTRUCTIONS (CONTINUED)

ELEVATION CLOSURES

- 1. Remove all elevation closure panels from the riser set (if riser set is assembled).
- 2. Discard all of the existing loose lower clips.
- 3. Replace any damaged or broken positioning brackets:
 - a. Use a Phillips Head screwdriver to remove the screw attaching the bracket to the closure panel.
 - Keep the screw for installing the new bracket.**
 - b. Pull off the old bracket and discard.
 - c. Attach new bracket to the same location using the existing screw.

NOTE: It is only necessary to replace damaged or broken positioning brackets.

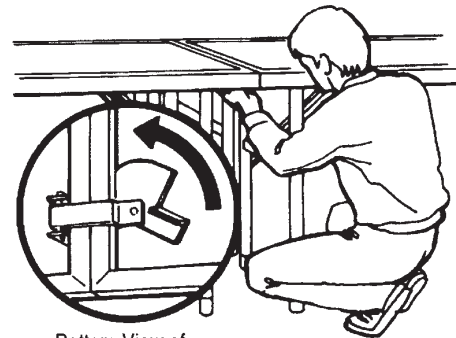
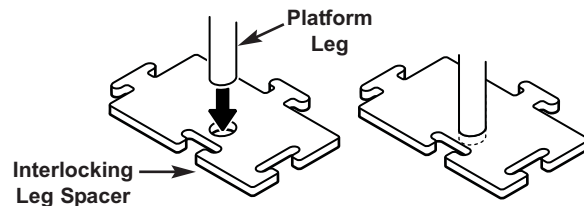
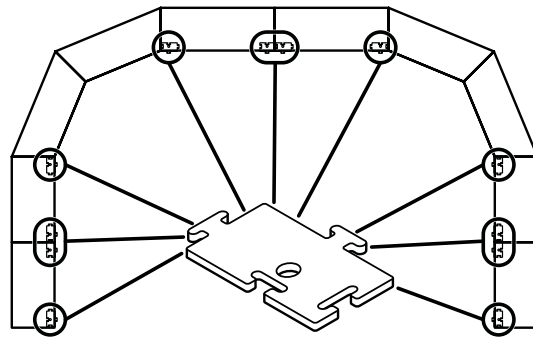


ASSEMBLY INSTRUCTIONS

RISER ASSEMBLY

1. Disassemble the rest of the riser set.
 - a. Detach all unit to unit connectors from adjacent staging units. Remove all metal spacer brackets connecting the leg assembly and set aside.
2. Set up the back row of platforms (including any rear extensions), to verify that there is enough space for the full riser set. **Do not lock these units together** until the remaining units are positioned.
3. Place interlocking leg spacers on the floor under the inside legs of the rectangular units as shown in the illustration. Platform legs fit into the hole in the center of the spacer.

Note: Interlocking leg spacers are used only to connect rectangular platform units together. Use metal spacer assemblies to connect pie-shaped platform units together as described on the following page.
4. Attach adjoining units together in at least two places, using the unit-to-unit clamps beneath the platform surface.

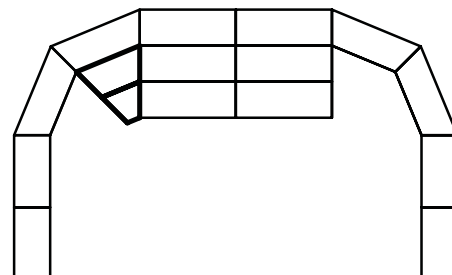
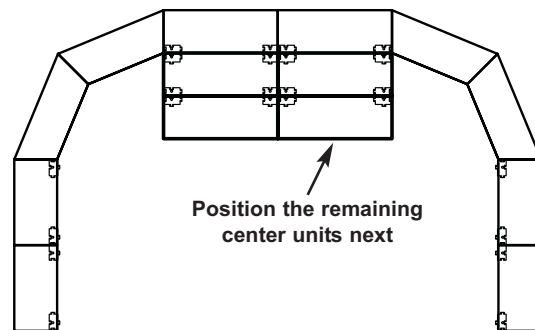


Bottom View of Unit-to-Unit Clamp

! WARNING

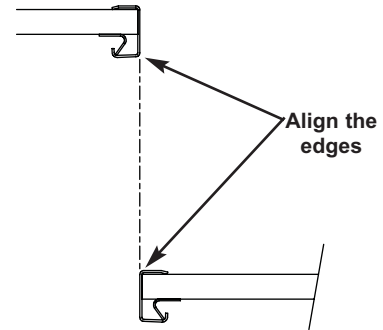
Platforms are unsafe if unit-to-unit clamps are not used as specified.

5. Position the remaining units for the center section — first the middle elevation (16"), then the front (8"). Repeat the pattern for the interlocking leg spacers on the rectangular units.
6. Assemble the next section (pie-shaped units) to the **left** of the completed section, again starting with the highest elevation and working down to the lowest elevation.

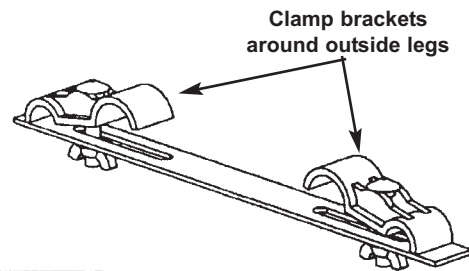
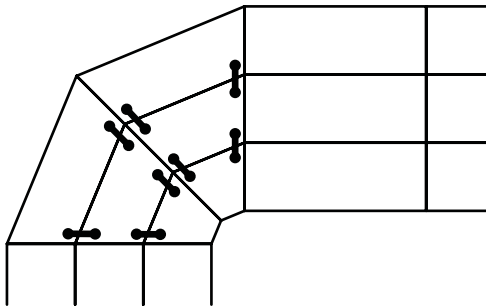


ASSEMBLY INSTRUCTIONS (CONTINUED)

- Align the edges of the pie-shaped units vertically. Make sure the corners of the decks are aligned.



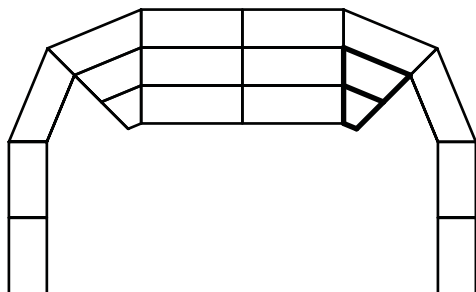
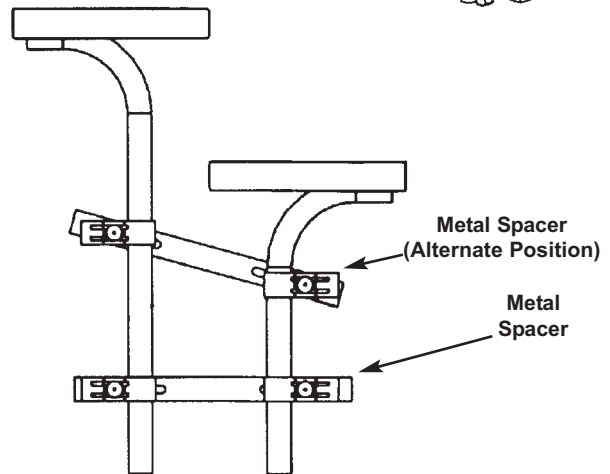
- Connect all matching height units together using the unit-to-unit clamps.
- Connect different height pie-shaped units together using the existing metal spacer assemblies.



! WARNING

Always install all leg spacers, and secure each section with unit-to-unit clamps, before beginning a new section.

- Assemble the next section (pie-shaped units) to the **right** of the completed sections, again repeating steps 6 - 8 and connecting same-height sections with the unit-to-unit clamps.



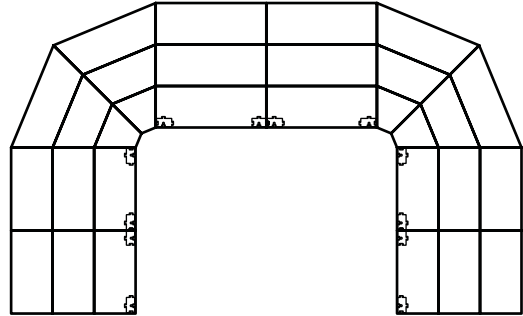
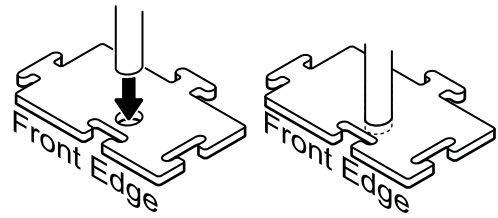
- Continue until all sections are installed.

ASSEMBLY INSTRUCTIONS (CONTINUED)

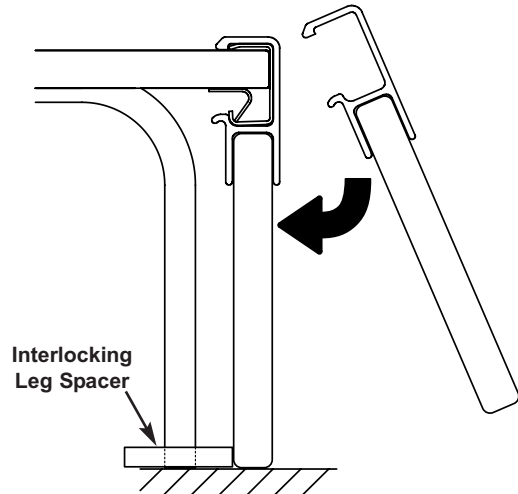
FLOOR-LEVEL CLOSURE ASSEMBLY

1. Place interlocking leg spacers on the floor under the inside legs of the front row of the rectangular units as shown in the illustration. Platform legs fit into the hole in the center of the spacer.

This provides a backstop for the front floor closure panels.



3. Snap the panels back onto the riser unit. The inside edge should be flush with interlocking leg spacer for support.



ELEVATION CLOSURE ASSEMBLY

4. Reinstall the panels back onto the riser unit:

NOTE: Install the panels from the middle of the riser set, and then work your way toward the ends. This will even out any gaps between the elevation closures and the side closure panels.

- a. Hook the new lower clips onto the lower elevation units at the same intervals as the positioning brackets that came installed on the closure panel.
- b. Set the closure panel onto the clips, then push the closure panel down and rotate it until the positioning brackets catch the upper elevation unit.

