

Contents

Important User Information	2	Assembly.....	3
Fasteners - Not Supplied	3	Operation.....	4

Note: Please read and understand the instructions before starting the assembly.
Note: If you need additional information, contact Wenger Corporation using the information below.

Important User Information

General

Copyright © 2017 by Wenger Corporation

All rights reserved. No part of the contents of this manual may be reproduced, copied, or transmitted in any form or by any means including graphic, electronic, or mechanical methods or photocopying, recording, or information storage and retrieval systems without the written permission of the publisher, unless it is for the purchaser's personal use.

Printed and bound in the United States of America.

The information in this manual is subject to change without notice and does not represent a commitment on the part of Wenger Corporation. Wenger Corporation does not assume any responsibility for any errors that may appear in this manual.

In no event will Wenger Corporation be liable for technical or editorial omissions made herein, nor for direct, indirect, special, incidental, or consequential damages resulting from the use or defect of this manual.

The information in this document is not intended to cover all possible conditions and situations that might occur. The end user must exercise caution and common sense when assembling or installing Wenger Corporation products. If any questions or problems arise, call Wenger Corporation at 1-800-887-7145.

Manufacturer

The Tuba/Sousaphone Wall Bracket is manufactured by:

Wenger Corporation
555 Park Drive, Owatonna, MN 55060
800-4WENGER (493-6437) • 1-507-455-4100 www.wengercorp.com

Intended Use

- This product is designed to hold tubas and sousaphones only, it does not fit Miraphone Tubas, Baritone Horns, or Rotary Valve Tubas.
- This product is intended for indoor use in normal ambient temperature and humidity conditions — it must not be exposed to outside weather conditions.
- This product is intended to be assembled only as described in these instructions.

Warranty

This product is guaranteed free of defects in materials and workmanship for five full years from date of shipment. A full warranty statement is available upon request.

Fasteners - Not Supplied

Because materials and construction of walls can vary, fasteners for attaching the Tuba/Sousaphone Wall Bracket to the structure are not provided. The installer must choose the appropriate fastener and follow the manufacturer's instructions.



Wall Mounting Guidelines:

For drywalled wood stud or metal stud walls, the Wall Bracket should be mounted on a stud, NOT on unsupported drywall.

Wood Studs: Use 1/4" lag screws or #12 sheetrock screws or larger screws that will provide a minimum of 1-1/2" of penetration into the stud.

Steel Studs: Use 1/4" sheetmetal screws.

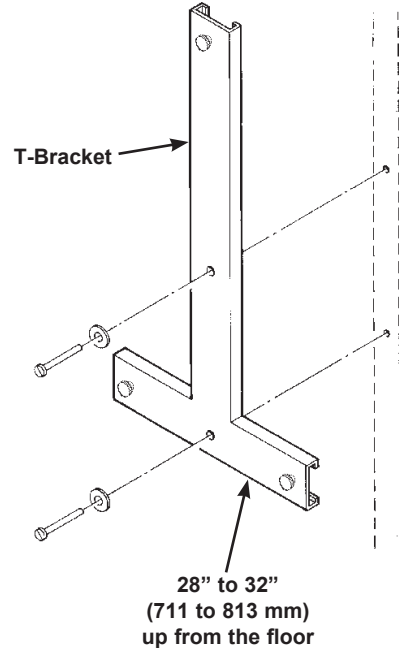
For poured concrete walls, Use 1/4" x 2" expanding anchor or a 3/8" x 1-3/4" concrete anchor. Trim the stud if necessary to prevent damaging the instrument.

For concrete block walls, Use 3/8" x 1-3/4" concrete anchors or an adhesive anchor system.

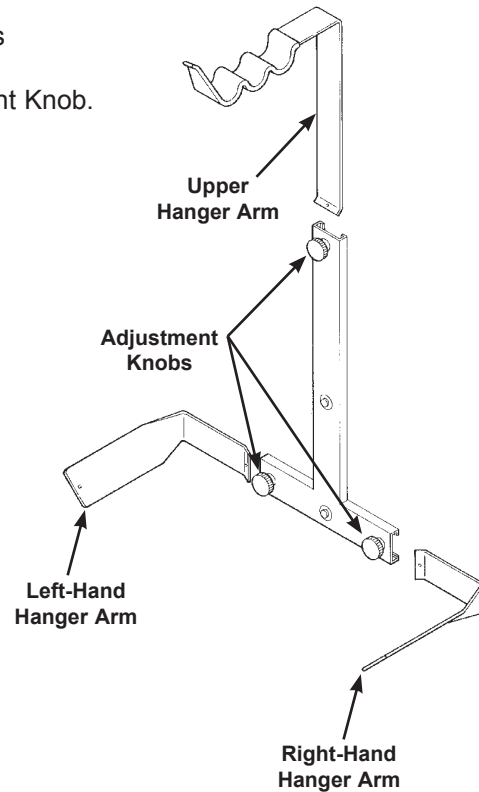
Assembly

1. Attach the T-Bracket to the wall using the appropriate fasteners and method described in the "Fasteners - Not Supplied" section.

It is recommended to mount the Bracket is 28" to 32" (711 to 813 mm) up from the floor in a lower traffic area.

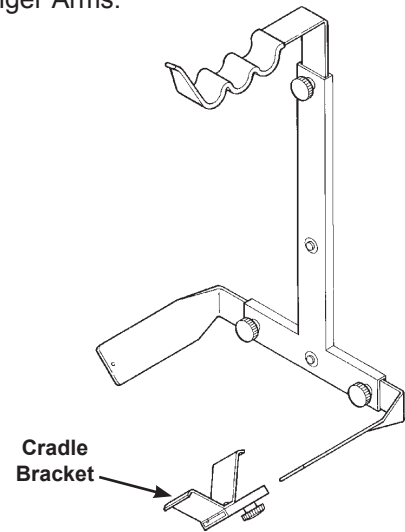


2. Insert the Left-Hand, Right-Hand, and Upper Hanger Arms into the T-Bracket.
Secure each Arm into position by tightening the Adjustment Knob.



Assembly (continued)

- Slide the Cradle Brackets onto the Left-Hand and Right-Hand Hanger Arms. Secure each Arm into position by tightening the Adjustment Knob.



Operation

The Wall Bracket can be used for a variety of tubas and sousaphones by adjusting the Hanger Arms to match the size and shape of the instrument.

The Upper Hanger Arm has three grooves to accommodate various sized instruments.

- Hold the instrument on the Wall Bracket.
- Adjust the Left-Hand and Right-Hand Handle Arms and the Cradle Brackets. Tighten the Adjustment Knobs.
- Adjust the Upper Hanger Arm and tighten the Adjustment Knob.

