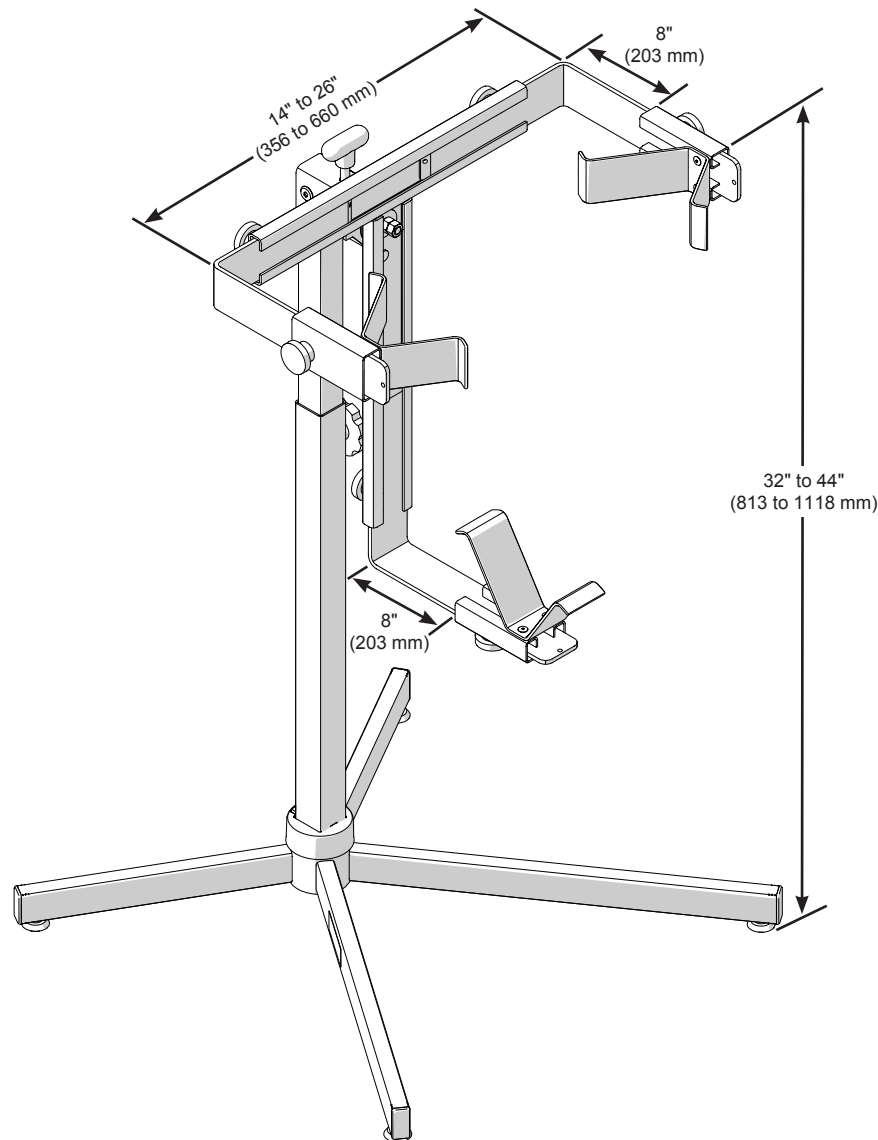


Tuba Tamer™

- 049E001 27 lbs. (12.2 kg).
- Special design helps musicians control and properly position the instrument.
- Liberates the musician to focus on technique.
- Adjustable, vinyl-clad instrument support stand protects the instrument.
- Height-adjustable.
- Adjusts five ways to hold a tuba or sousaphone.
- Ideal for rehearsal and performance.
- Great for storage and helps prevent damage due to frequent handling.
- Assembly required.
- Does not fit Miraphone Tubas, Baritone Horns or Rotary Valve Tubas.
- Environmental attributes and LEED compliance for this product can be found at www.wengercorp.com/GREEN or by contacting your Wenger representative.
- Five-year warranty.



© 2017 Wenger Corporation
USA/2017-12/W

