

Tuba/Sousaphone Mobile Storage Rack



Your Performance Partner

- Wood parts are constructed of 3/4" (19 mm) industrial grade composite wood with no formaldehyde added.
- Polyester laminate finish in Wenger standard colors.
- Adjustable instrument cradles are constructed of padded steel weldments that can be positioned left or right to hold instruments.
- Cradles are adjustable by hand, no tools required.
- Racks are adjustable vertically and horizontally to hold a combination of different sized and shaped tubas and sousaphones.
- Racks have four swivel, hard rubber casters with two front locking, 4" (102 mm) in diameter.
- Top cross member is constructed of 14-gauge tubular steel.
- Bottom cross member supports are covered with flexible PVC to protect instruments.
- Environmental attributes and LEED compliance for this product can be found at www.wengercorp.com/GREEN or by contacting your Wenger representative.
- Five-year warranty.
- Assembly required.

3-Unit Tuba/Sousaphone Mobile Storage Rack

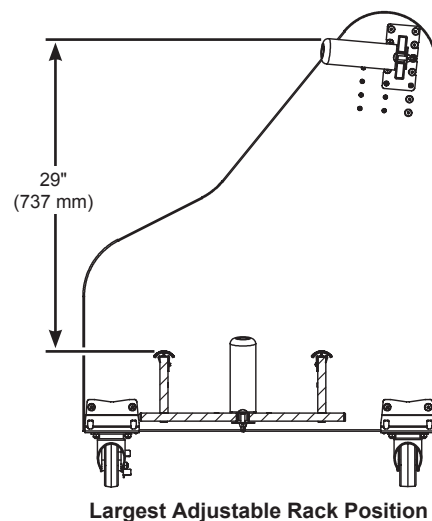
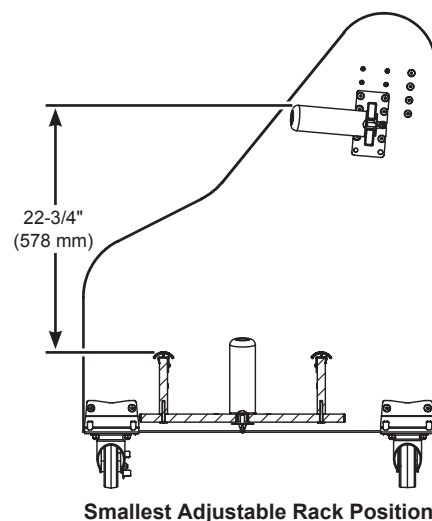
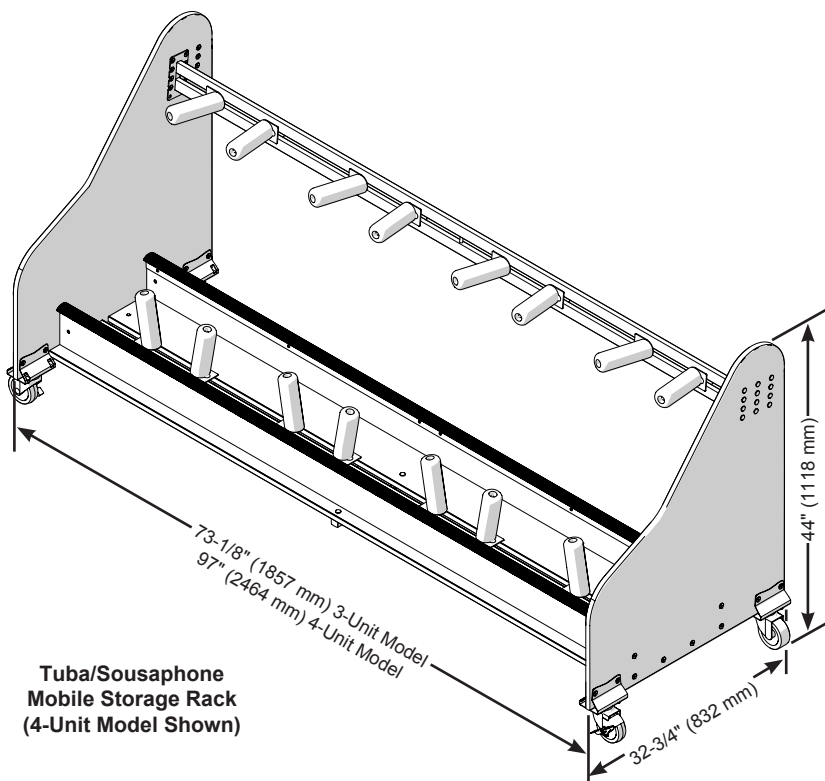
- 148J007 - 121 lbs (55 kg).
- Unit is configured to hold:
Three tubas or three sousaphones or a combination of three total tubas and sousaphones.

4-Unit Tuba/Sousaphone Mobile Storage Rack

- 148J008 - 143 lbs (65 kg).
- Unit is configured to hold:
Four tubas or four sousaphones or a combination of four total tubas and sousaphones.

Accessories

- 148J015 Accessory Cradle Kit
It may be possible to store an additional tuba when only tubas, not a combination of tubas and sousaphones are being stored.



© 2017 Wenger Corporation
USA/2017-12/W



WENGER CORPORATION

Phone 800.4WENGER (493-6437) Worldwide +1.507.455.4100 | Fax 507.455.4258 Worldwide +1.507.774.8576
Parts & Service 800.887.7145 | Canada Office 800.268.0148 | Web wengercorp.com | 555 Park Drive, PO Box 448 | Owatonna | MN 55060-0448

JR CLANCY

Phone 800.836.1885 Worldwide +1.315.451.3440 | Fax 877.836.1885 Worldwide +1.315.451.1766 | Web jrclancy.com
7041 Interstate Island Road | Syracuse | NY 13209-9713

GEARBOSS

Phone 800.493.6437 | email gearboss@wengercorp.com | Web gearboss.com | 555 Park Drive, PO Box 448 | Owatonna | MN 55060-0448