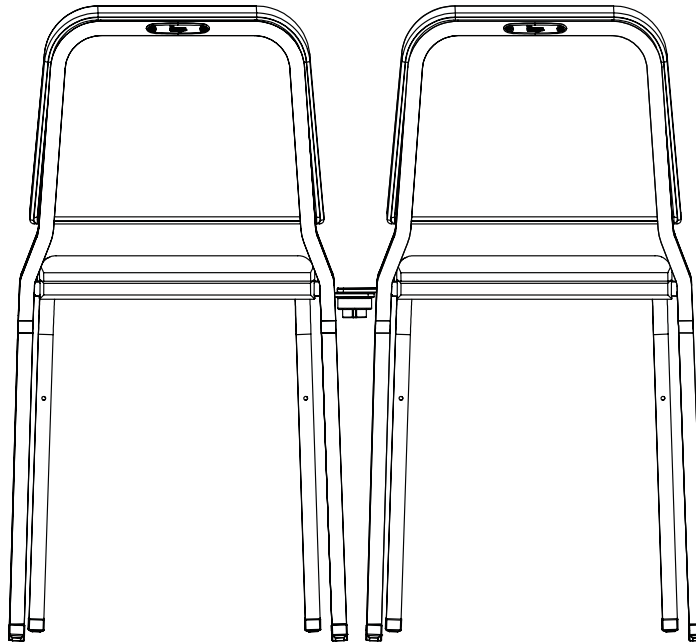




Your Performance Partner

# Assembly Instructions Universal Ganging Clamp

for Wenger Nota® Standard, Nota® Premier, Student and Musician Chairs



Musician Chairs Shown (from the back)

## CONTENTS

Before You Begin .....	2
Warranty .....	2
Required Tools .....	2
Fastener Parts List .....	2
Assembly .....	3
Operation .....	4

**Note:** Please read and understand the Universal Ganging Clamp Assembly Instructions before attempting installation, assembly, or use.

**Note:** Remove all items from the shipping containers and sort the components by type, size, etc. Refer to the illustrations on the following pages. If you need additional information, contact the Wenger Corporation using the information listed below.

# BEFORE YOU BEGIN

---

Read and understand the complete assembly procedure before you begin.

Remove all items from the shipping carton.

# WARRANTY

---

The Wenger Universal Ganging Clamp is guaranteed free of defects in materials and workmanship for five full years.

Our guarantee assures you of either a full refund or repair or replacement of the defective materials or workmanship without charge, at the discretion of our Customer Service Department. Just call a Customer Service Representative at 1-800-887-7145 and state the reason you are dissatisfied. If a product return is necessary, your representative will issue a return authorization. This is your sole remedy for breach of this warranty.

Should you have a question or problem with any Wenger product, don't hesitate to call, even if the product is past warranty. It's important to us that all our customers be satisfied.

This is the sole warranty made by Wenger. Wenger disclaims all other warranties, including the warranties of merchantability and fitness for a particular purpose, as well as all liability for incidental, consequential, special, and indirect damage. Wenger liability for direct damages shall be limited to the amount you paid for the product involved. Wenger reserves the right to make product changes without obligation to incorporate such changes into products previously sold.

Some states do not allow the exclusion or limitation of damages or warranties, so the above may not apply to you. This warranty gives you specific legal rights. You may also have other rights which vary from state to state.

# REQUIRED TOOLS

---

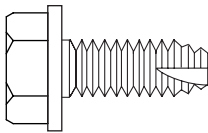
The following tools must be supplied to assemble and install the Universal Ganging Clamp.

- Socket Wrench or Electric Drill with 1/2" socket

# FASTENER PARTS LIST

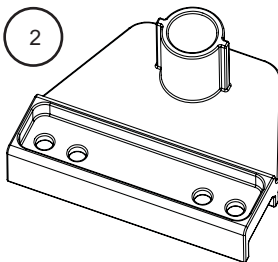
---

1



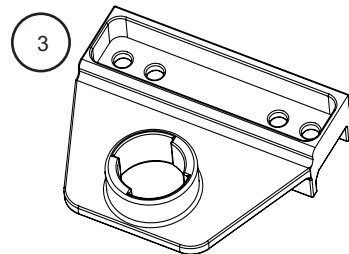
Screw, Self Tapping,  
5/16 x 3/4", Hex Head

2



Ganging Clamp Spline

3

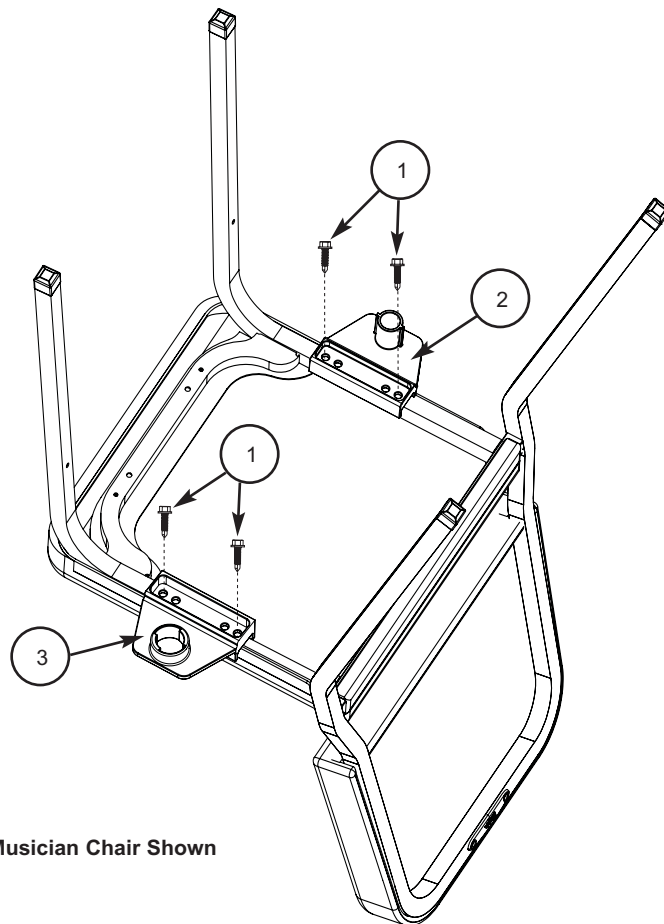


Ganging Clamp Receiver

# ASSEMBLY

---

1. Place the chair upside down on a table or bench. Protect the chair by placing a pad or blanket on the work surface.
  2. Pre-cut the Ganging Clamp mounting holes by threading, and then removing, the  $\frac{5}{16} \times \frac{3}{4}$ " Self-Tapping Screws (#1) into the pre-punched mounting holes on the bottom of the chair frame front legs.
  3. Attach the Ganging Clamp Spline (#2) to the user's left side leg of the chair using two of the  $\frac{5}{16}$ " x  $\frac{3}{4}$ " self-tapping screws (#1).
- Note:** There are four mounting holes in the bracket. The inner two holes are used for attaching the bracket to Wenger Nota chairs. The outer two holes are used for attaching the brackets to Wenger Student and Musician chairs.
4. Attach the Ganging Clamp Receiver (#3) to the user's right side leg of the chair in the same manner as Step 2.
  5. Place the chair right side up on the floor.

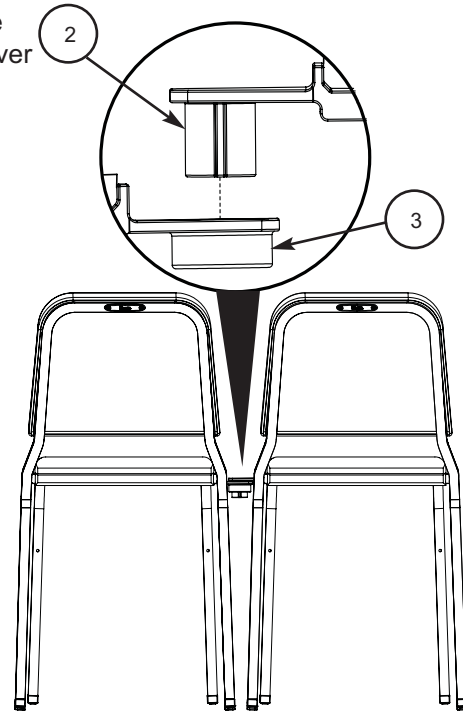


Musician Chair Shown

## OPERATION

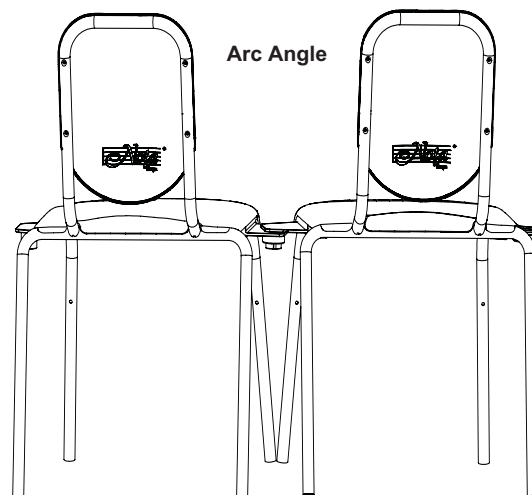
---

1. To gang chairs together, lift a chair so that the spline side bracket can be positioned and inserted through the receiver hole of the adjacent chair.



Musician Chairs Shown (from the back)

2. Configurations using the Ganging Brackets:
  - **Straight** - position the chairs in a straight row.
  - **Arc Angle** - position the chairs in any random arc angle up to the maximum when the front chair legs make contact. (Shown below)
  - **Reversed Arc** - to create a reverse arch, the ganging brackets must be mounted with the spline clamp (#2) on the right side and the receiver clamp on the left side.



Nota Chairs Shown (from the back)