

V-Ready® Room System

CONTENTS

Required Tools	2	Door Stop	20
Electrical Wiring	3	Clean the Panels	20
Installation	4	Door Seal Adjustment	21
Before You Begin	4	Electrical Connections	22
Install the Wall Frame	4	Optional Communications Panel	22
Install the Door Frame	6	Install the Optional Floor System	23
Level the Wall Frame	9	Floor Section Roto Locks	23
Wall Panel installation	10	Floor Installation	23
Roto Locks	10	Center the Floor	24
Wall Panel Alignment	11	Door Step Trim	24
Install Corners	11	Floor Trim Molding	24
Assemble the Fan Panel	12	Molding Installation	25
Assemble the Vent Panel	12	Install the Horizontal Closure Panels	26
Ceiling Frame Rail (with module beam option)	13	Install the Vertical Closures	27
Install Ceiling Frame Rails	14	Maintenance	28
Ceiling Rail Alignment	16	Cleaning	28
Install Ceiling Panels	17	Adjustments	28
HVAC Ceiling Panels	18	Fan Assembly Replacement	29
Ceiling Panel Configuration	18	Glass Door or Window Replacement	29
Align Ceiling Panels	18	Magnetic Gasket Replacement	29
Lock the Ceiling Panels Together	18	Sweep Seal Gasket Replacement	30
Lock the Ceiling to the V-Ready Room	18	Key Replacement	30
Ceiling Clips	19	Capacities and Ratings	31
Clip Retainers	19	Glossary	32
Lights	20	Symbol Legend	34
Hole Plugs	20	Limited Warranty	35

- Note:** Please read and understand the V-Ready® Room System Assembly Instructions before starting the installation.
- Note:** Examine the illustrations on the following pages. If you need additional information about your V-Ready® Room System, write, email, or telephone Wenger Corporation at the number below.
- Note:** Save these instructions.
- Note:** Many assembly steps require two or more people.
- Note:** Not all rooms can be converted to V-Room® Practice rooms. Rooms with 15-inch or 30-inch extensions and rooms that are 125-square feet or larger cannot be converted.

REQUIRED TOOLS

Tools required are a mallet, screwdriver, Phillips screwdriver, box level, tape rule, adjustable jaw pliers, sockets and ratchet, small pry bar, 5/16" hex allen wrench. The Floor Option requires a Phillips drive bit, drill, 1/8" drill bit, and hacksaw.



Mallet



Screwdriver



Phillips Screwdriver



24-inch Box Level



8' Tape Rule



Channel Lock Pliers



Socket and Ratchet Set



Pry Bar



5/16" Hex Wrench

Tools needed for Floor Option



Hacksaw



Cordless Drill



Phillips Drive Bit



1/8" Drill Bit

Owner _____

Models: _____

Location: _____

Accessories: _____

Date Installed: _____

Installer: _____

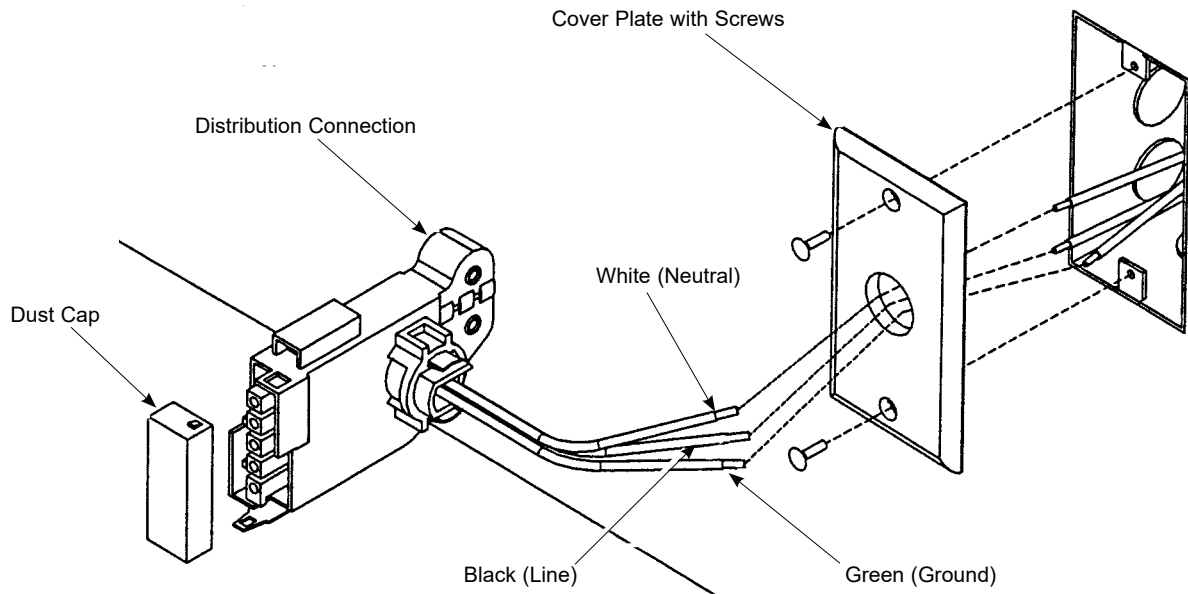
Key Numbers: _____

ELECTRICAL WIRING

The V-Ready® Room system is a prewired unit. Wenger Corporation always ships the end user kits (UL Power Panel Kit, part number 216_481) before shipping the V-Ready® Room system. A licensed electrician must install the Power Panel Kit **BEFORE** a representative from Wenger Corporation arrives to install the rooms.

The kit (Power Panel Kit, UL) consists of:

- Distribution Connector
- Handy box cover with 1/2" knockout
- Dust cap
- Instruction form



INSTALLATION

BEFORE YOU BEGIN

1. A licensed electrician must install all distribution connections for the electrical service shown in the unit plan.
2. Clear the construction area and allow twelve inches of space around the module.
3. Place all parts into stacks of similar part numbers where they can be easily reached.

Warning! *Components are large and heavy and must be moved by two people working together. Moving doors requires four people working together. Failure to observe this warning can result in serious injury.*

Warning! *All electrical connections and electrical installation must be done by a licensed electrician. Failure to observe this precaution can result in serious injury, death, or damage to property.*

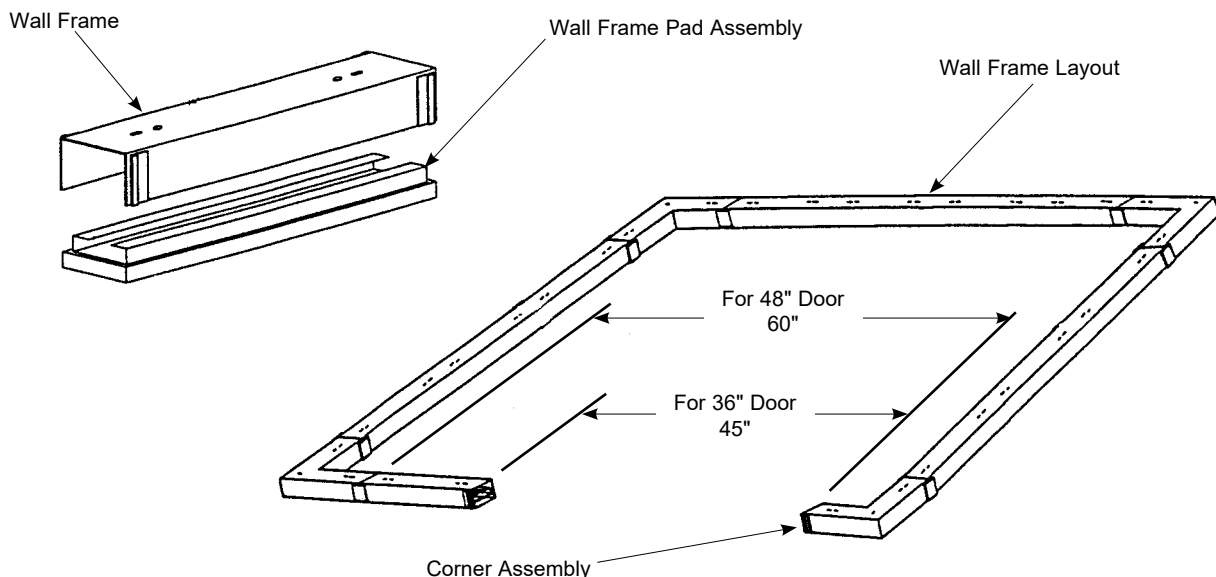
Warning! *The V-Ready® Room electrical source must be permanently wired with the UL Power Panel Kit and comply with local electrical codes. Failure to observe this precaution can result in serious injury, death, or damage to property.*

Warning! *Always wear safety glasses and safety shoes when working on the V-Ready® Room system. Failure to observe this warning can result in serious injury.*

INSTALL THE WALL FRAME

Using the pack sheet supplied with these instructions, find the wall frames. Two pieces make up each of the sections. The wall frame is a metal channel and a wall frame pad assembly.

1. Place the wall frame channel over the pad assembly (the pad should extend beyond the end of the channel slightly).
2. Find the four wall frame corner assemblies, corner pad assemblies and the wall frame clips.
3. Lay out the wall frame assemblies in the rough outline of the module. Leave an opening in the frame to locate the standard door which is 45-inches wide. (Optional 4-foot door is 60-inches wide.)
4. Corner assemblies are located on the four corners of the module wall frame, regardless of the position chosen for the door.

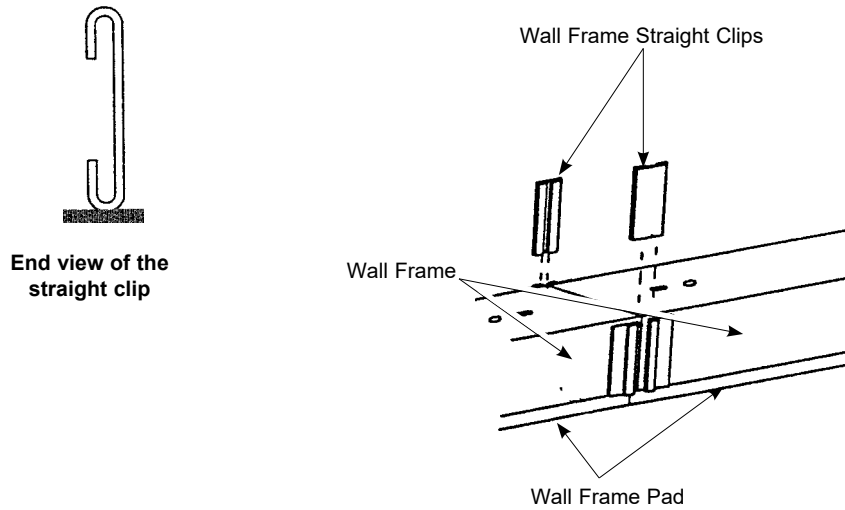


INSTALLATION CONTINUED

INSTALL THE WALL FRAME CONTINUED

The wall frame flat clips have uniform lips on both sides and are used for all in-line frame connections of wall frame and corner sections. Two flat clips are used at each joint in the frame section. As the pad is slightly longer than the channel, each section should slightly compress the pad when clips are installed. Drive the clips into place with a mallet.

Note: Drive on clips so that they are even or just below the top of the frame channel. ***Do not drive the Straight Clips down to floor surface.***

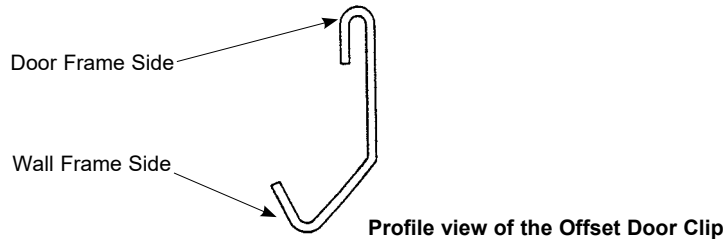


INSTALLATION CONTINUED

INSTALL THE DOOR FRAME

The V-Ready® Room door is fully assembled, adjusted, and shipped in a wooden crate.

1. Before removing the door from the crate, locate and remove four offset door clips from the plastic bag. These clips have a slight convex peak and uneven lips. Clips are offset because the door frame is 3/4" wider than the wall frame section.

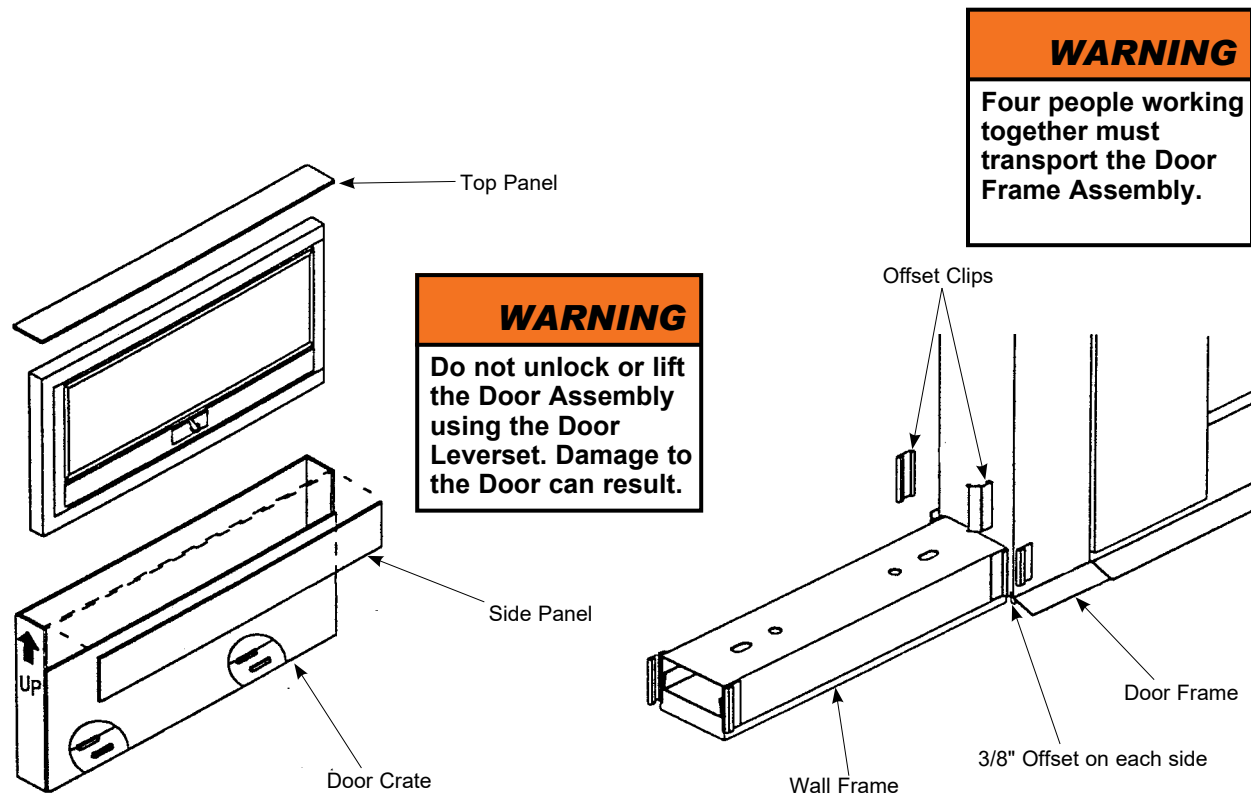


2. To remove the door, remove the special screws holding the side and top of the crate. The door is shipped with the hinge side up and the leverset in the locked position to hold the door leaf in place.

Warning! *The Door Frame Assembly weighs more than 250-pounds. Four people working together must lift the assembly from the crate and set it into place. Failure to observe this warning can result in serious injury or damage to property.*

- a. Lift the Door Frame Assembly from the crate and transport the assembly with it horizontal.
- b. Place the assembly into the final position with the assembly vertical and the Door swinging to the outside (or inside) as shown on the room drawing plan view.

Note: Do not slide the Door Frame Assembly to avoid damage to the gasket on the bottom surface of the Door Frame. Sliding the Door Frame Assembly can cause the gasket to roll under the Frame or tear away from the Frame.

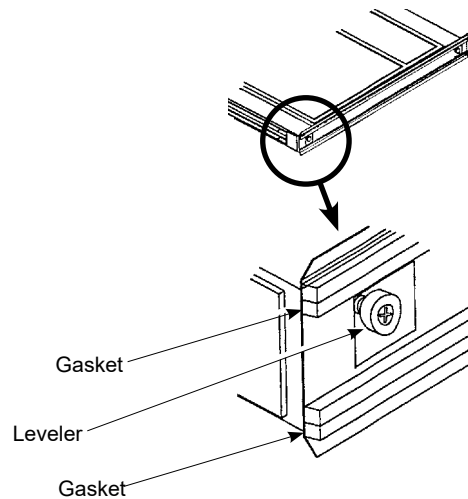


INSTALLATION CONTINUED

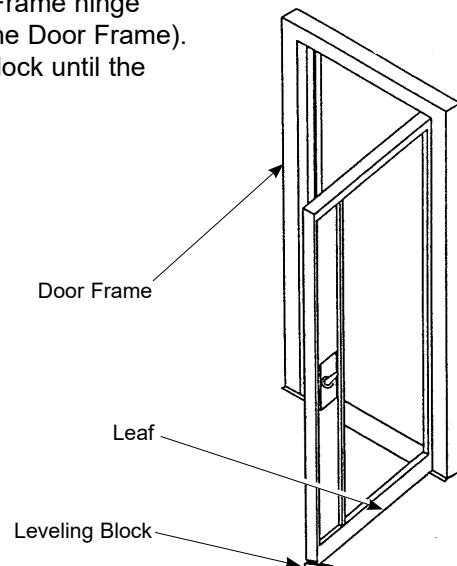
INSTALL THE DOOR FRAME CONTINUED

- Using a 24-inch Box Level, check the level of the floor where the door is to be located.
- Use the 24-inch Box Level and adjust the Levelers on the bottom of the Door Frame so that the Door Frame will stand vertical and square to the floor.

Note: Do not extend levelers beyond the gasket attached to the base of the door.



- When the Door Frame Assembly is in position and aligned to the Door Frame, continue to hold it vertical with the Door closed. Check the Door Frame and make sure that the Frame edges that will mate with the Wall panels are plumb.
- If the Frame is not plumb, carefully tilt the Frame to allow access to the Levelers.
 - Start with the Levelers retracted as far as possible.
 - On the corner that is lowest, extend the Leveler until the Frame is plumb when resting on the floor.
- Once the Door Frame is plumb, unlock the Door with the key that is taped to the Leverset.
 - Open the Door 90-degrees.
 - Place a 3/4-inch block under the outermost corner of the Door Leaf to support the Door weight.
Do not place the block under the sweep seal.
 - Using the 24-inch Box Level, make sure that the Door Frame hinge side is plumb (measured on the inner or outer face of the Door Frame).
 - If necessary, add or remove shims under the leveling block until the Door Frame is plumb.

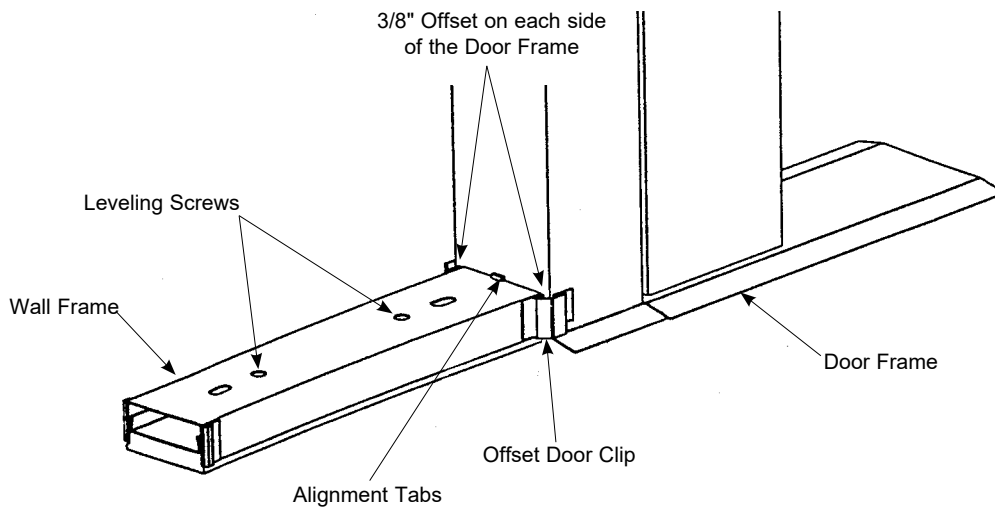


INSTALLATION CONTINUED

INSTALL THE DOOR FRAME CONTINUED

8. The Wall Frame channel must be flush against the Door Frame underneath the Alignment Tab (refer to the illustration below).
9. Using a mallet, attach the Wall Frame to the Door Frame with the Offset Door Clips. The narrower Wall Frame must be centered on the Door Frame.

Note: The Offset Door Clips will only fit one way.



INSTALLATION CONTINUED

LEVEL THE WALL FRAME

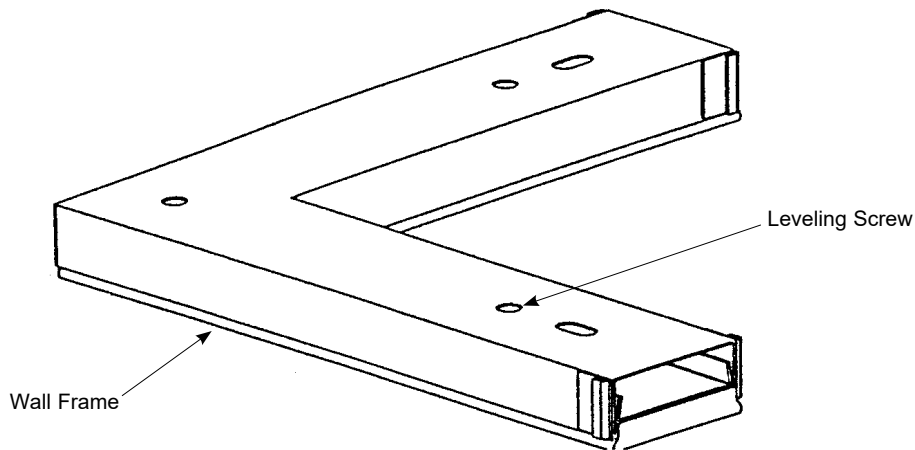
Note: Level the Wall Frame at this time carefully to prevent sound leaks.

1. With the door in position and all frame members clamped together, square the frame by measuring diagonally from corner to corner. Both dimensions must be equal. Make any necessary adjustments.
2. Using the 24-inch box level, start at the inside of the Door and level each Wall Frame working in a clockwise direction.
 - a. Leveling Screws are in the center of the frame covers (refer to the illustration below).
 - b. Turn each Leveling Screw clockwise to lift the Wall Frame and counterclockwise to lower the Wall Frame until the entire Frame is level.

Note: Each Leveling Screw must contact the Wall Frame Pad Assembly.

- c. The rubber pad under the frame compresses slightly under the weight of the module panels.

Note: If the room you are installing has a Wenger floor, it is suggested that it be installed now. This allows additional room to assemble the floor. However, the floor may be assembled in the completed module or removed (it is completely independent from the rest of the unit). Trim molding is supplied with the floor kit and applied when the module is finished.



INSTALLATION CONTINUED

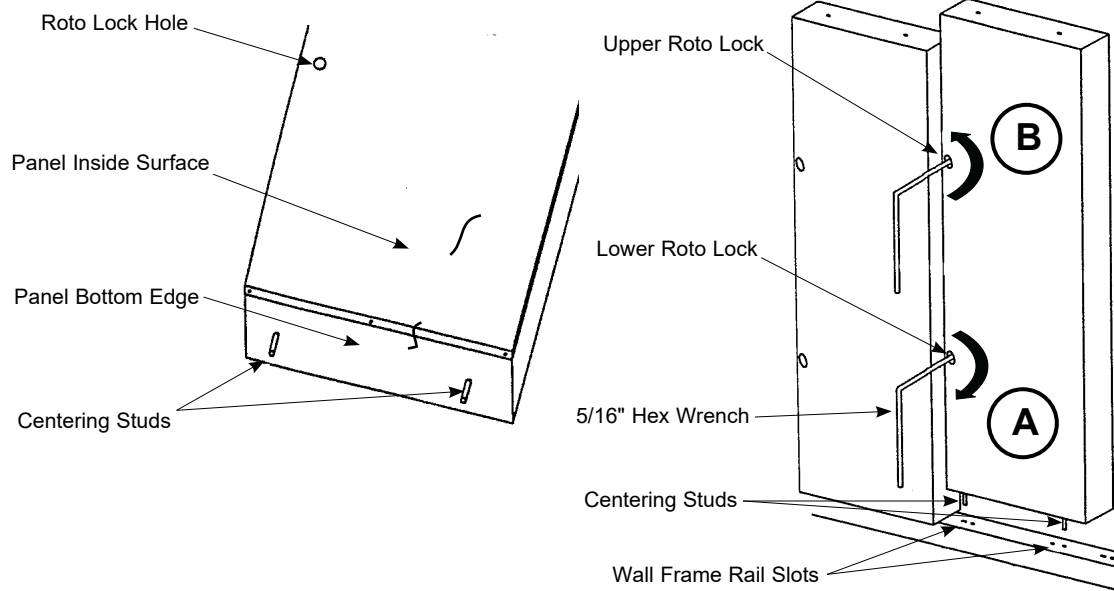
WALL PANEL INSTALLATION

- Refer to layout drawing for panel layout.
- Identify each type of panel.
- Be sure to note where solid, perforated, electrical, control, and microphone panel locations are located.
- It is ***IMPORTANT*** to keep microphone panel locations as shown! (This will assist installation of V-technology at a later time.)
- Start on the right side of the door when standing in the room.

Install panels as follows.

1. Start installing panels inside of room working clockwise.
2. Insert two Centering Studs into the bottom surface of each Wall Panel (refer to the illustration below).
 - a. The Centering Studs are in the wall hardware box.
 - b. Screw the Centering Studs in ***finger tight***.
3. Place each Wall Panels into place, inserting the Centering Studs into the Wall Frame Rail Slots.

Note: To determine the bottom of the panel, the Roto Lock Hole must always be on the left inside edge of the Panel.



ROTO LOCKS

Note: The Upper and Lower Roto Locks turn in opposite directions. This allows the Panel to move vertically up or down for perfect alignment and seal. Locked Panels must be even at the top and sealed at the bottom. Refer to the illustration above.

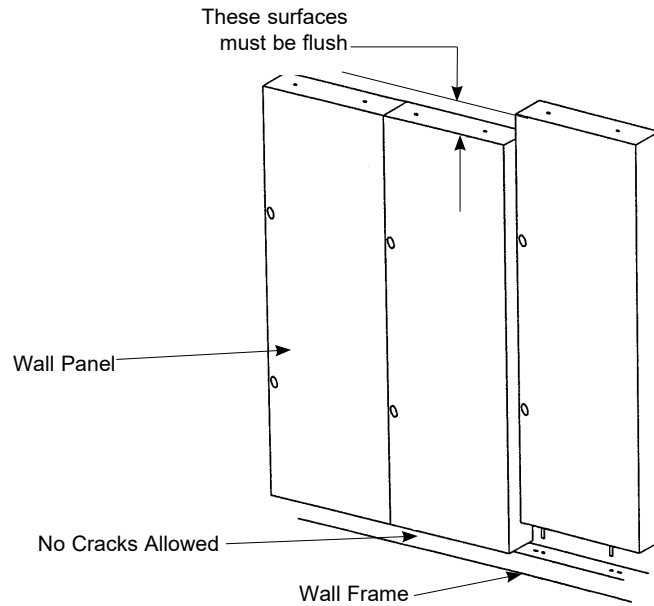
To tighten the Roto Locks, do as follows:

1. Using a 5/16-inch Hex Wrench, turn the Lower Roto Lock, **A**, clockwise until the top of the panel is flush with the panel next to it.
2. Using a 5/16-inch Hex Wrench, turn the Upper Roto Lock, **B**, counterclockwise until it is tight.
3. Finish tightening the Lower Roto Lock, **A**, by turning it clockwise. Make sure the panels are flush with each other at the top. Repeat steps if panel is not flush.

INSTALLATION CONTINUED

WALL PANEL ALIGNMENT

1. As panels are put in place, make sure that the Wall Panels are even at the top.
 - a. Run fingers across the center of the Wall Panels between gaskets to check for evenness (not across the Panel skins because they vary slightly in size and appear to be uneven).
 - b. Look under each Wall Panels and make sure of a seal to the Wall Frame. If there is light, the Panel is not sealed.
 - c. If a gap is evident between a Wall Frame and Wall Panel, the Wall Panel must be readjusted.



INSTALL CORNERS

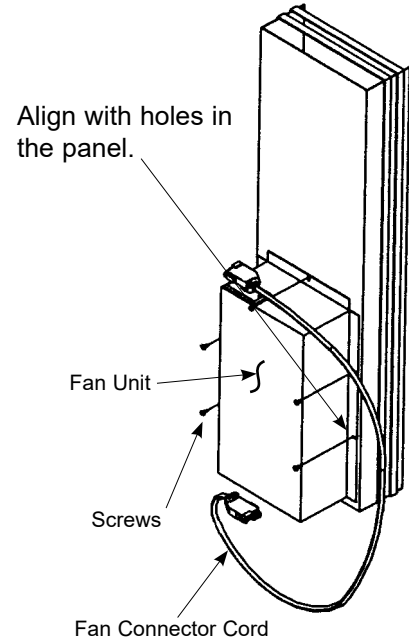
Corners are roto locked to Panels and should be checked with a Box Level to be sure the corner is plumb before the next Wall Panel is attached.

INSTALLATION CONTINUED

ASSEMBLE THE FAN PANEL

If a Fan Panel is required, the following steps are necessary prior to installing.

1. Open Fan Panel carton on the floor.
2. Turn the Panel so that the outside of the Panel faces upward (the opening for the fan assembly faces upward) and the Panel is resting on the carton to protect the Panel finish.
3. Remove fan unit from the carton.
4. Remove fan plate with large hole and remove all three pieces of cardboard packing (found above and below fan housing and the motor protector packing).
5. Spin the fan blades to make sure of freedom of movement.
6. Place the fan assembly into the opening of the Fan Panel by lifting the fan assembly into the upper channel and then lowering it into the lower channel.
7. Attach the fan to the fan panel with the screws from the hardware bag.
8. The panel is now ready to be installed as a wall panel in the module.

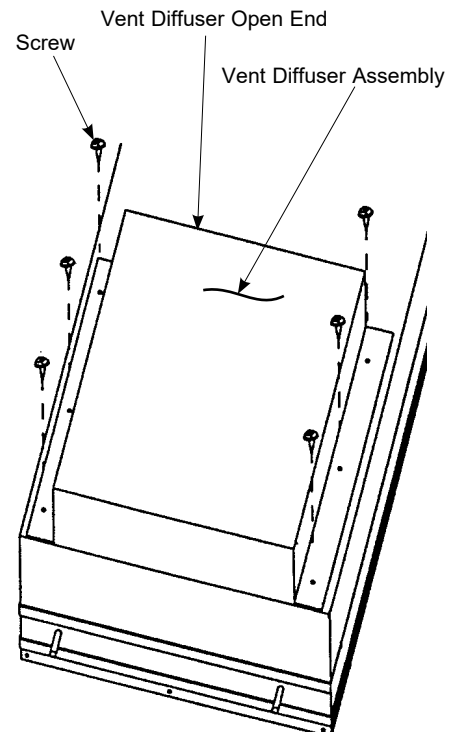


ASSEMBLE THE WALL VENT PANEL

Pre-assemble the appropriate adapter to the wall vent panel as follows.

To use in a fan-ventilated room, attach a Vent Diffuser Assembly to the outside of the wall vent panel. The top of this diffuser extends about two-feet above the floor. The fan draws ambient air through the vent and into the room.

1. Place the Vent Diffuser Assembly over the opening in the wall vent panel outside with the Vent Diffuser Assembly Open End facing upward.
2. Align the Vent Diffuser Assembly mounting holes to the wall vent panel pre-drilled screw holes.
3. Attach the Vent Diffuser Assembly to the wall vent panel with the screws provided.



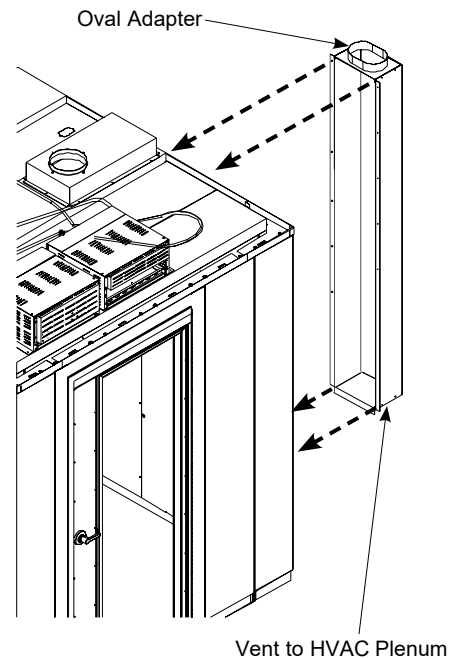
INSTALLATION CONTINUED

ASSEMBLE THE WALL VENT PANEL CONTINUED

To connect to the host building HVAC system, attach a longer Vent to HVAC Plenum to the wall vent panel. It extends to the top of the room and terminates with an eight-inch diameter oval adapter that fits to eight-inch diameter flex ducting.

1. Place the Vent to HVAC Plenum over the wall vent panel outside opening with the Vent to HVAC Plenum Oval Adapter facing upward as shown in the illustration below.
2. Center the Vent to HVAC Plenum on the wall vent panel with the Vent to HVAC Plenum bottom lip flush with the wall vent panel bottom.
 - a. Using the Vent to HVAC Plenum as a template, mark the location of each Vent to HVAC Plenum mounting hole.
 - b. Set the Vent to HVAC Plenum aside and drill a 1/8-inch diameter hole at each mounting hole location.
3. Align the Vent to HVAC Plenum mounting holes to the drilled wall vent panel mounting holes.
4. Attach the Vent to HVAC Plenum to the wall vent panel with the screws provided.

The assembled panel is ready to be installed in the module wall when required.

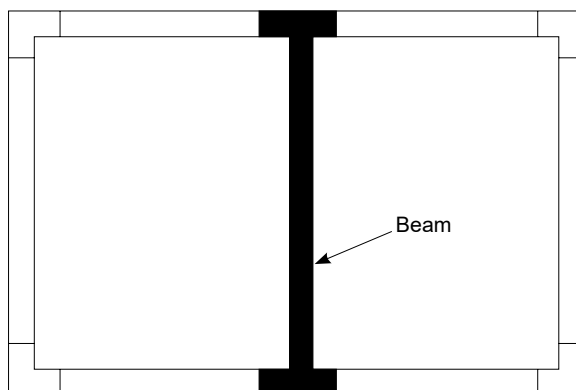


CEILING FRAME RAIL (UNITS WITH MODULE BEAM OPTION)

Note: If you have a smaller module without a beam go directly to the next page.

When all wall panels are in place, the ceiling frame rail system and beam assembly are next to be installed.

1. Refer to assembly drawing to determine the Beam location.
2. Position the Beam on top of the Walls.
3. Without delay, attach a bolt at each Beam end, connecting the Beam ends to the Wall Panels to prevent the Beam from falling.



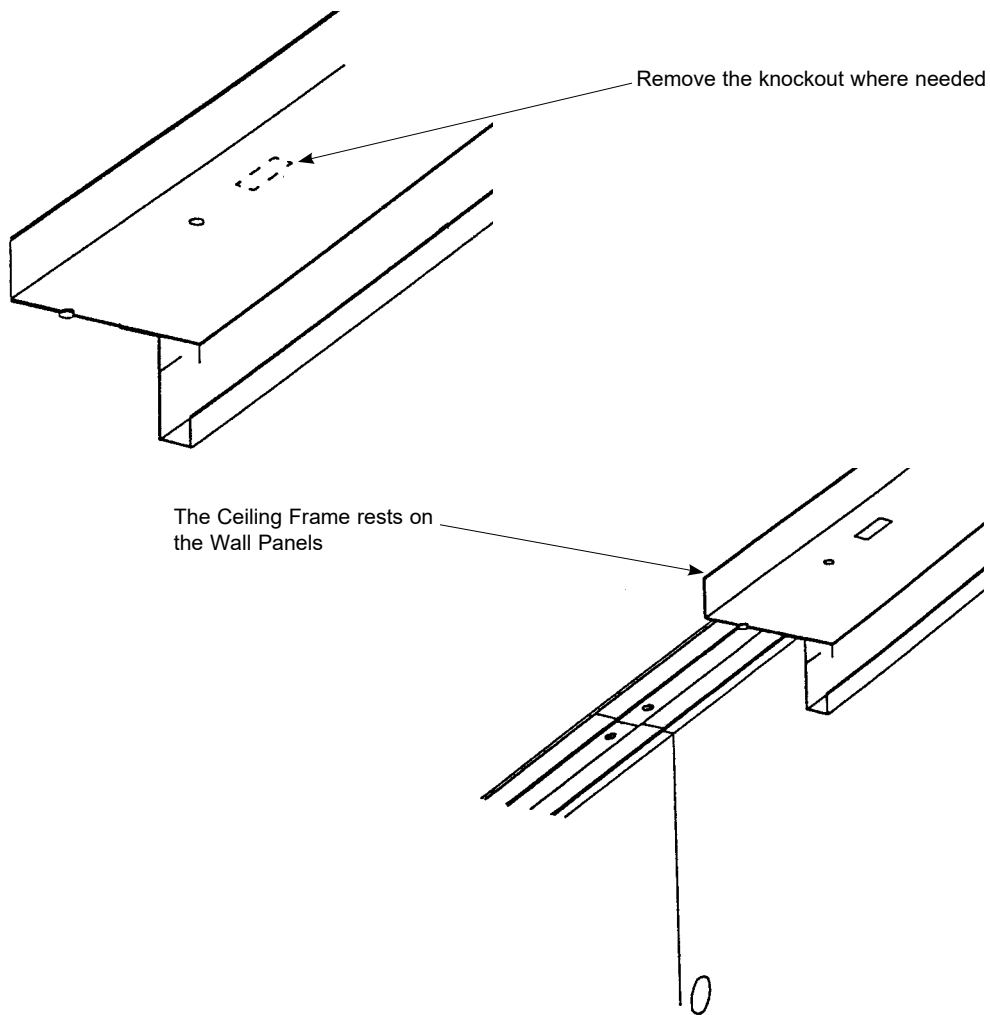
INSTALLATION CONTINUED

INSTALL CEILING FRAME RAILS

Install the Ceiling Frame Rail System when all Wall Panels are in place.

1. Place the ceiling rails on the floor around inside of room.
2. Remove knock outs in the locations where electrical connections come through ceiling rails for the corner panels, two microphone panels, and one power panel.
3. Place the ceiling rails on top of wall panels with the 1-3/4-inch lip to the outside and facing upward. The formed channel hangs down inside the module.
4. Start at a corner and work completely around the room.

Note: Be careful not to damage the electrical connectors when installing ceiling rails (or push connectors back into the panels). Punch out knockouts where there are connectors.

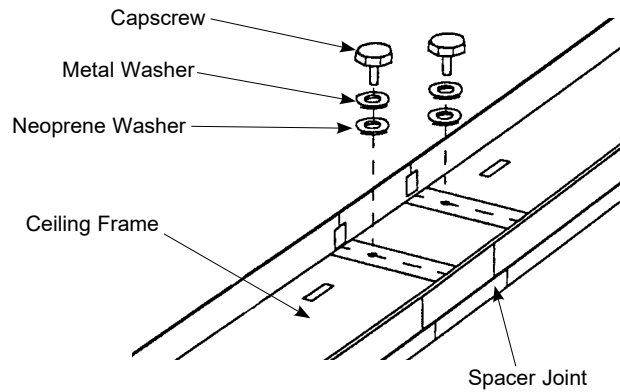


INSTALLATION CONTINUED

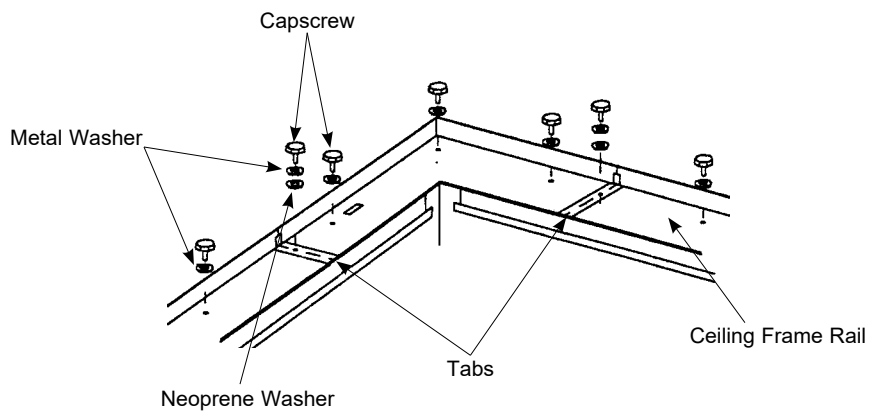
INSTALL CEILING FRAME RAILS CONTINUED

Note: Every ceiling frame joint must have a neoprene washer under the metal washer for sound seal. A spacer joint is used between each ceiling frame section.

1. Place neoprene washers under the metal washers where a bolt joins a section (including joints at the corners).
2. Attach the bolts, ***finger tight***, through ceiling frames into wall panels.



3. Corner pieces and spacers have metal tabs on the inside of their seams for a sound seal. Make sure adjoining ceiling rail is placed behind and under these tabs.

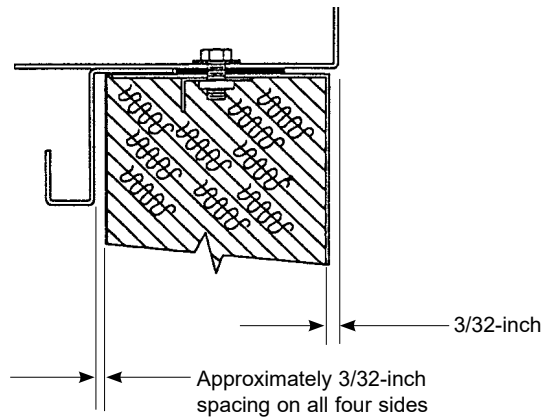


INSTALLATION CONTINUED

CEILING RAIL ALIGNMENT

The vertical lip of the ceiling rail system must be nearly even with the outside of the Wall Panels.

1. Before the Bolts are tightened, make sure the alignment of the outside surface of the Wall Panel and the vertical lip is correct. This will cause a space behind the formed channel on the module's interior.
2. All rails, corners and spacer joints must fit together perfectly. If they do not, the frame will not be square and will need readjusting. The most important factor is that no gaps be allowed between any or all ceiling rail pieces.
3. Use the Wenger Panel Adjustment Tool (215_945) if available to assist positioning the Wall Panels.
4. Tighten all bolts.



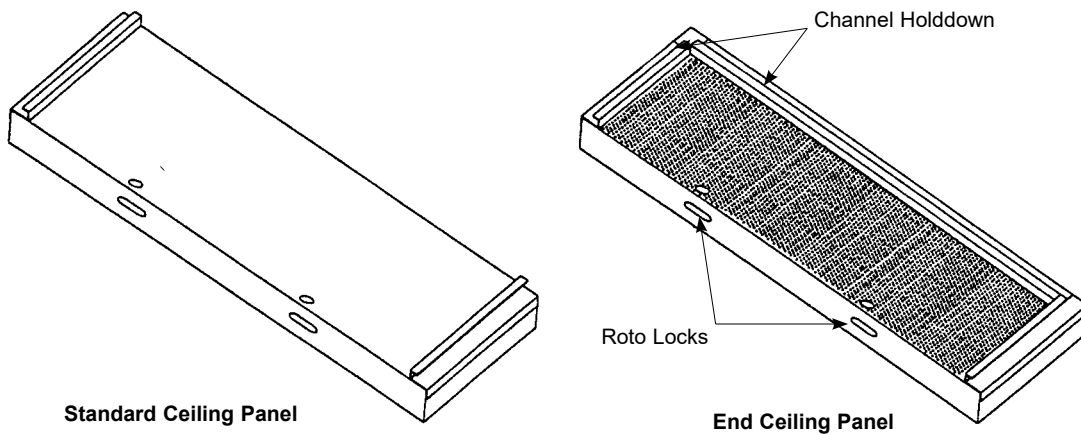
INSTALLATION CONTINUED

INSTALL CEILING PANELS

The ceiling panels are installed from inside the module. Each ceiling panel rests on the straight edge of the ceiling rail above the formed channel and has a channel section attached at each end. The two end panels also have a channel along one side.

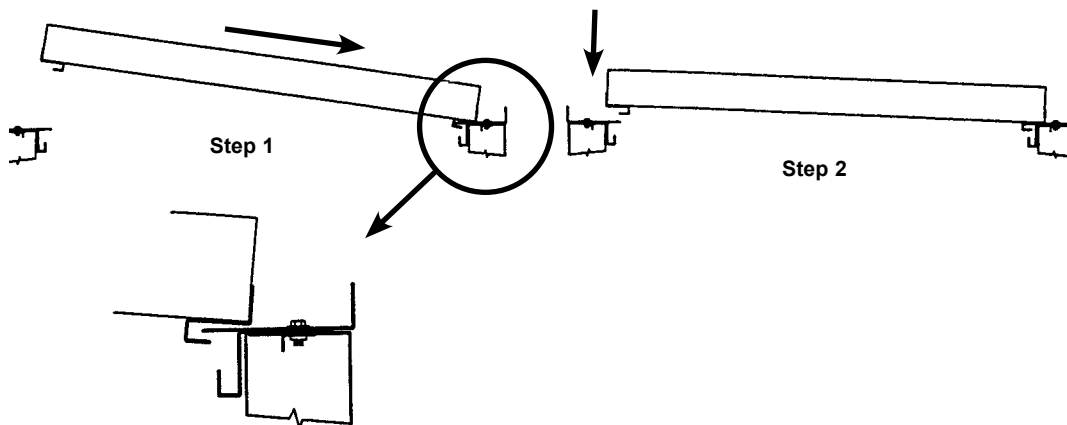
Install the end panels first. Each ceiling end panel has roto lock connections on only one side. This is the side that will connect to the other ceiling panels. The end panels have only one male roto lock and one female roto lock.

Note: Before the ceiling end panels are installed it is necessary to switch a pair of roto locks between end panels. One of the panels must have two male roto locks and the other panel must have two female roto locks. Use a Phillips screwdriver to make these changes. Then install ceiling end panels so the one with female roto locks will be matched with male roto locks on the next ceiling panel.



To install ceiling panels:

1. Lift one end over the wall and slide the channel on the bottom of the other end into the straight edge of the ceiling rail as far as it will go. **BE CAREFUL** not to hit the electrical connector when installing ceiling panels.
2. Lower the other end of the panel into place, then center the ceiling panel so that both channels extend evenly over the ceiling rails edge.
3. Push both end panels as far to the outside of the end wall as they will go.



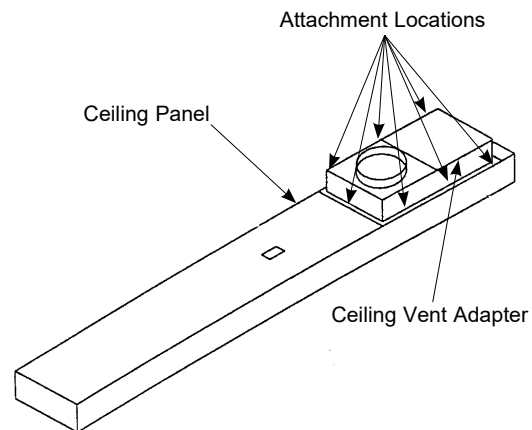
INSTALLATION CONTINUED

HVAC CEILING PANELS

If included with you room, attach the Ceiling Vent Adapter to the top of the ceiling panels as shown.

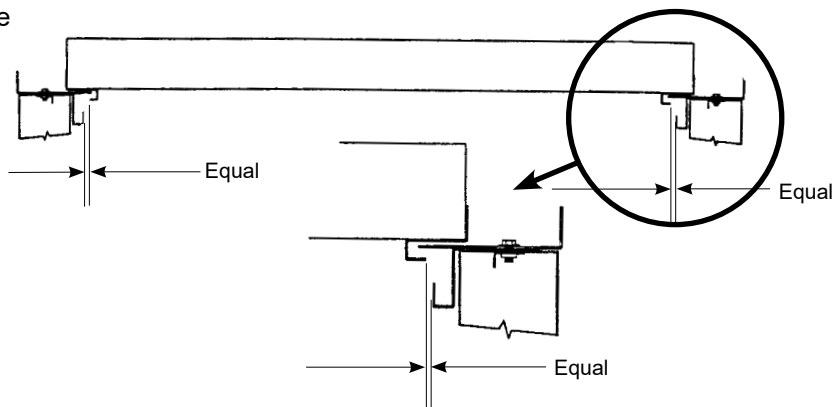
Note: Connection to the building HVAC system must be made with an 8-inch diameter flexible duct, **NOT** rigid duct. Rigid duct will decrease the sound isolation of the rooms. This is **NOT** included with the rooms but is available from any HVAC contractor.

Air flow to the rooms must be adjusted as described on the drawing for the size room being installed. This is done by the HVAC contractor.



CEILING PANEL CONFIGURATION

1. Install the remaining ceiling panels in the same manner, following the plan view drawing.
2. Place the HVAC ceiling panels, if required, into the appropriate position.
3. Place lights in the appropriate position.
4. Place the first connection cable (closest) to power panel from the lights down the outside of the module for the present time. Make sure remaining connection cables stay on top ceiling panels.
5. Make sure male and female roto locks mate properly, but **do not lock the panels together.**



ALIGN CEILING PANELS

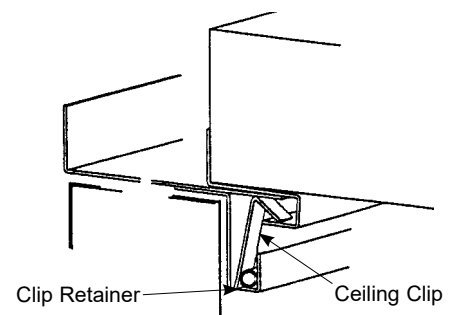
All ceiling sections are now in place but not locked together. Before roto locks are engaged, align the panels squarely on the module. Use the wall panel edges as guides and align ceiling panels with the wall panels. Then be sure each panel is properly centered on the edge of the ceiling rail. Allow equal overlap for the ceiling channel at each side wall and at the ceiling end channel in relation to the end wall.

LOCK THE CEILING PANELS TOGETHER

Starting at one end, engage roto locks carefully. Partially tighten both locks before full tension is applied so that ceiling panels are not shifted by the locks.

LOCK THE CEILING TO THE V-READY ROOM

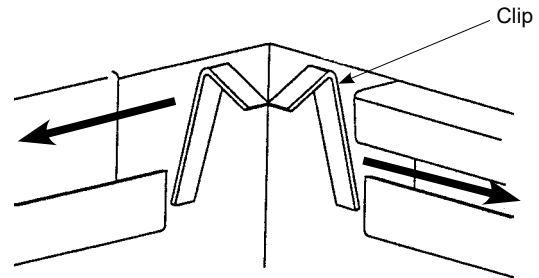
With all ceiling panels now in place and locked together, the ceiling system needs to be locked to the wall structure. Remove the stack of angles (ceiling clips) and short tubular pieces (clip retainers) from the hardware box. These clips will now be installed to lock the ceiling to the module.



INSTALLATION CONTINUED

CEILING CLIPS

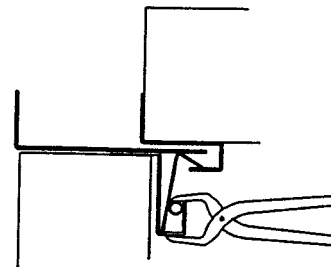
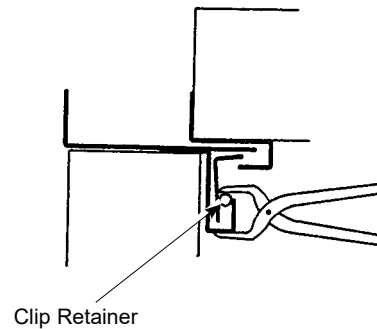
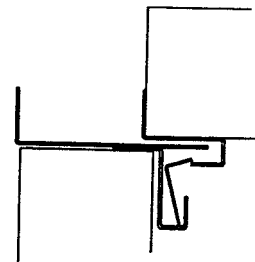
The ceiling clips are inserted from the corners of the module where a space is in the ceiling frame rail. The short leg of the clip is inserted into the channel of the ceiling panel while the long leg slides into the formed channel of the ceiling frame rail. Clips are then slid in the rail to proper position. Place one clip in the center of each ceiling panel end. On the long side of the ceiling panel, place clips every 15-inches to match pattern of clips on ends of ceiling panels. At all four corners, place one clip in each direction, but within the first 7 1/2-inches of corner for proper seal. Do not place a clip on the ceiling rail splices.



CLIP RETAINERS

When ceiling clips are in place, insert the clip retainers. Lay the retainers on the ceiling rail channel directly in front of each clip. Press the retainer straight down into the bottom of the rail. Insert one retainer for each clip using an adjustable jaw pliers or Wenger clip retainer tool. (Part No. 115_204)

This unit is now structurally complete.



INSTALLATION CONTINUED

LIGHTS

Remove any packing tape from tubes in fixture and light diffuser lens.

HOLE PLUGS

Insert the light colored hole plugs into all holes except those in the door and windows. Insert the dark colored hole plugs into the door and window roto lock holes.

DOOR STOP

A door stop bumper is provided with each module. (taped to the outside of the door leverset). Select the location of the mounting by opening the door and choosing the locations you want to prevent damage. Remove self adhesive cover and install on the wall.

CLEAN THE PANELS

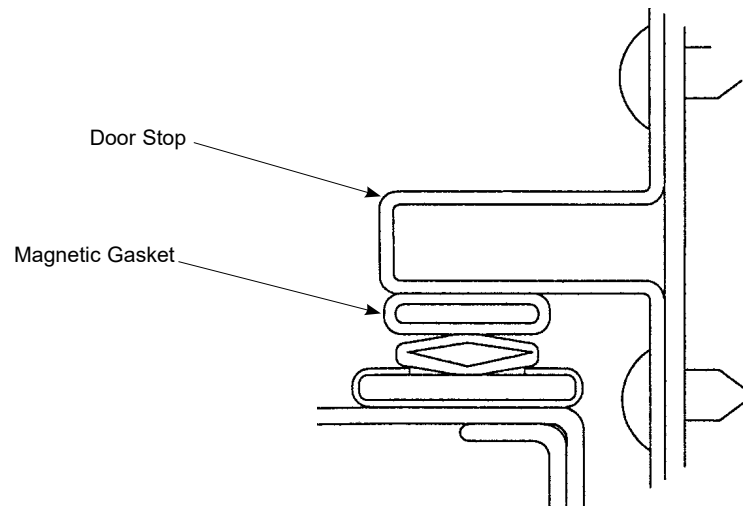
The cleaning of panels and glass adds greatly to the appearance of the module. Finger prints, smudges and other marks may be easily removed with a damp cloth and common detergent or commercial cleaner.

INSTALLATION CONTINUED

DOOR SEAL ADJUSTMENT

When the module is assembled, recheck the door seals.

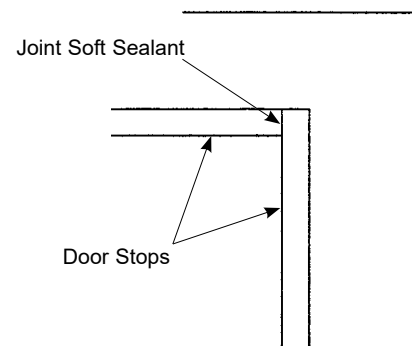
1. Pull the door closed slowly while standing inside the room (outside the room for in-swinging doors).
2. Watch the magnetic gasket as it makes contact with the door stop on the hinge side.
 - a. If the gasket is squeezed and distorted, the door stop is too close to the door.
 - b. If the door closes and the gasket is not completely sealed, the door stop must be adjusted closer.



Door Seal Detail

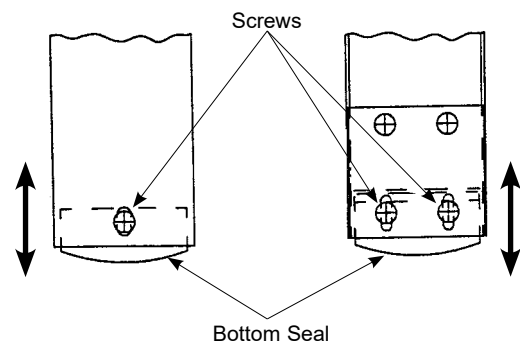
To adjust the Door Stop:

1. Loosen the door stop screws slightly and move the stop in the proper direction.
2. The magnetic gasket should jump slightly to the door stop when it is adjusted correctly.
3. Tighten the screws and check upper corners of the door stop to see if the soft sealant is still sealing the joint between the vertical and horizontal door stop.



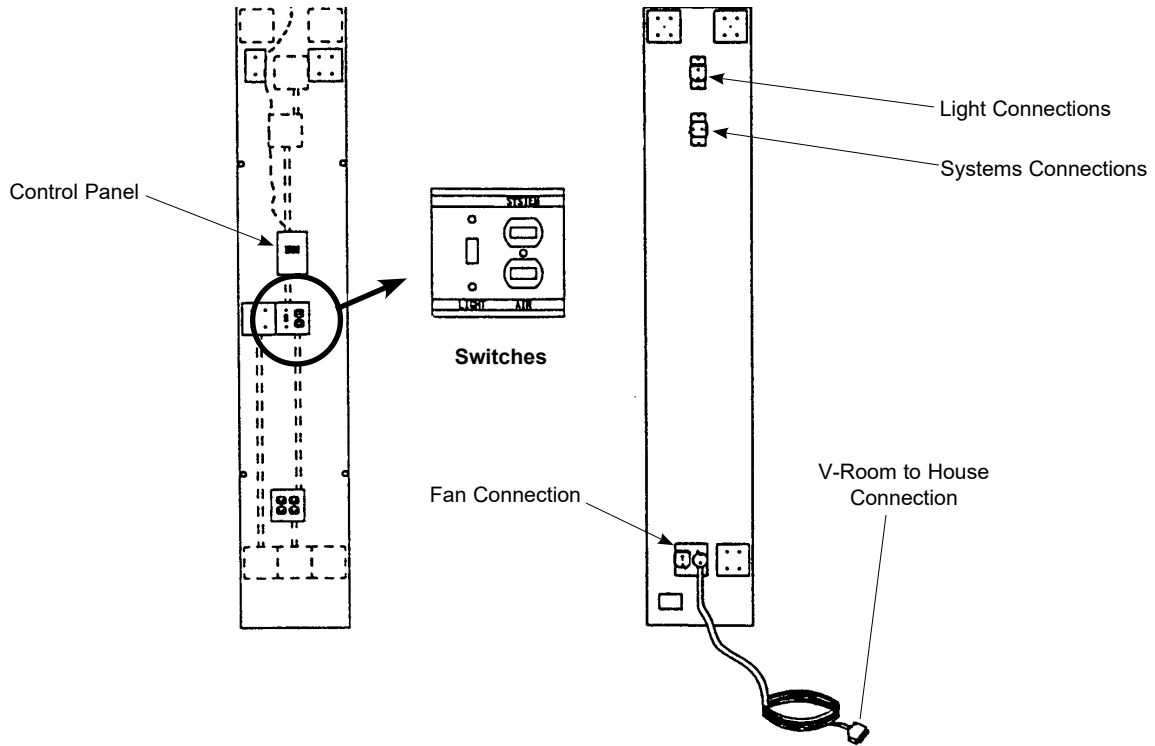
Remove the protective masking from the threshold and check the sweep seal on the bottom of the door and make sure that it is sealed.

1. This seal should compress slightly when closing the door.
2. This adjustment is made by loosening the three screws located on the ends.
3. Readjust the height and tighten the three screws.



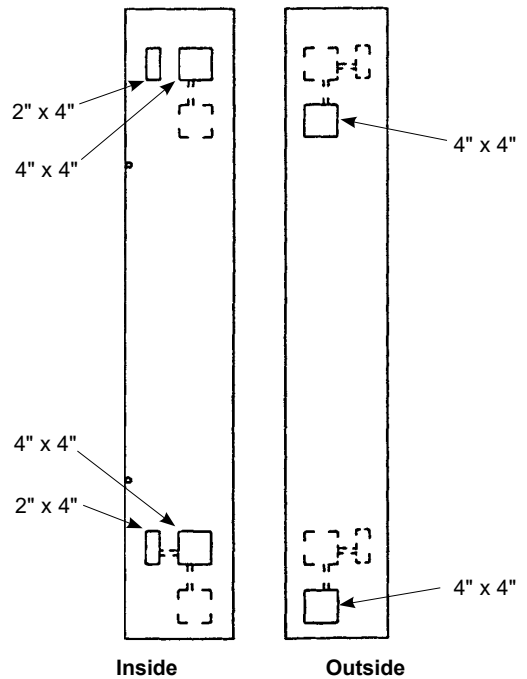
ELECTRICAL CONNECTIONS

Plug the connector cable for the light fixture closest to the power panel into the power panel. Then connect light to light. If fans are used, plug in connector cables for the fan panel closest to the power panel. Then connect fan to fan. Connect the house service connector cable from power panel to the connector on the wall (preinstalled by electrician). Enter the module and turn on the lights and fans. Make sure that all are working.



OPTIONAL COMMUNICATIONS PANEL

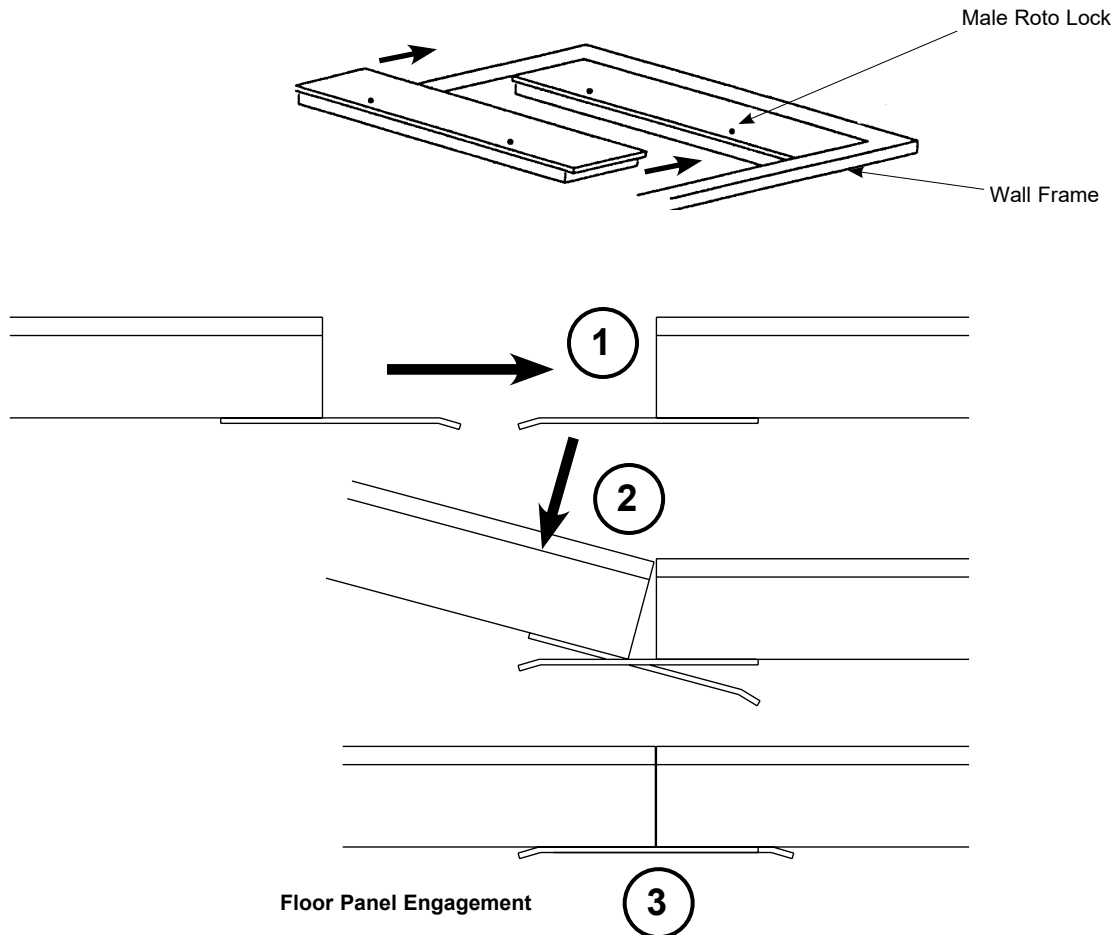
This panel has raceways from inside to outside that may be used for connecting additional electrical devices into module. When wiring is completed, be sure to seal any openings with a soft sealant to stop sound leakage.



Box Sizes

INSTALL THE OPTIONAL FLOOR SYSTEM

The floor sections come in two widths, 15-inches and 30-inches and are parallel with the Ceiling Panels. They lock together with roto locks in the same way as the wall panels. Install the Floor Sections starting opposite the doorway and working toward the Door.



FLOOR SECTION ROTO LOCKS

Each section has two male roto locks on one side and two female roto locks on the other side.

1. Using a Phillips screwdriver, prepare the first floor section by removing the female roto locks, brackets, and plates from this floor section only.
2. Place this side flush against the wall frame. The female lock side or end of panels must be away from the door to avoid interference with the threshold plate.

FLOOR INSTALLATION

1. Keeping male locks matched to female locks, set the second panel nest to the first panel.

Note: Avoid sliding the panels on the floor as the rubber pads on the bottom of the isolator could be damaged.

2. Place panels together until male locks will engage.
3. Do not place the floor sections tight against the Wall Frames.
4. Alternately tighten both locks to keep ends even.

Note: It may be necessary to notch edges of floor to clear clips on the wall frame.

INSTALL THE FLOOR SYSTEM CONTINUED

CENTER THE FLOOR

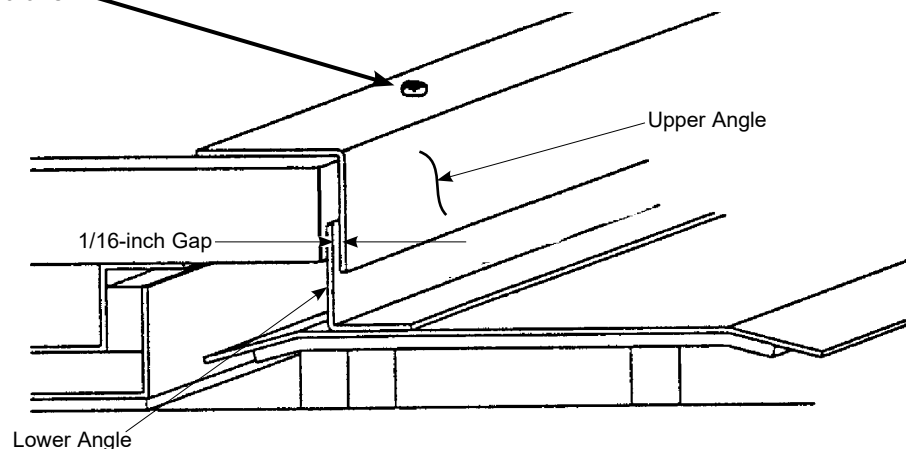
When all the sections are locked together, a solid one piece floor is the result. It should be centered within the wall frame, not touching the frame with a 1/4-inch to 3/8-inch space around the floor. Plug the Roto lock holes in the floor with small hole plugs from the floor hardware kit.

DOOR STEP TRIM

This trim is used in the door opening only when a sound module floor system is installed. It consists of two plated angles (one angle has countersunk holes and one angle has double back tape).

1. Remove the backing and attach the lower angle to door threshold (keep the vertical leg approximately 1/16-inch from the edge of floor).
 - a. The upper angle can be used as a temporary spacer jig.
 - b. Press the angle firmly onto the threshold.
2. Located upper angle so that the vertical leg is approximately 1/16-inch in front of the vertical member of the lower angle.
3. Mark holes on floor surface
4. Drill 1/8-inch pilot holes and attach the angle with flat headed screws from the floor hardware kit.

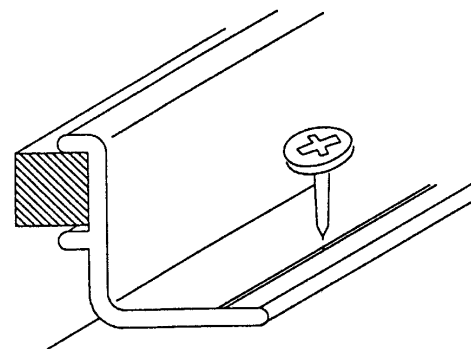
Place the Upper Angle about 1/16-inch in front of the Lower Angle. Mark the position of the holes and drill 1/8-inch pilot holes. Attach the Upper Angle with Flat Head Screws.



FLOOR TRIM MOLDING

The trim molding is screwed to the floor of the module. The molding consists of eight corner pieces, both right and left hand miter, and lengths of straight molding.

Note: Molding has a screw groove on its floor side surface. The wall side surface is smooth and has gasket on the back side of it.

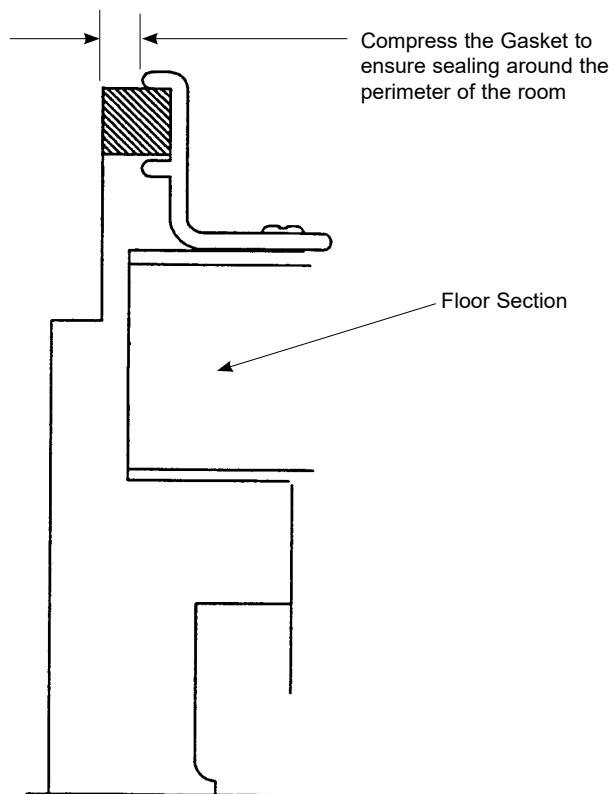


Floor Trim

INSTALL THE FLOOR SYSTEM CONTINUED

MOLDING INSTALLATION

Place two matching mitered corners in position and screw to floor. Do all corners this way. Measure between the corners, with a hacksaw, cut the molding to length as needed. Note: Foam strip on back of molding should be compressed slightly to seal to wall. Do not allow the metal molding to contact the wall. Add the remaining molding and screw in place. Slightly miter cut the molding at each side of the door frame for a neat appearance.

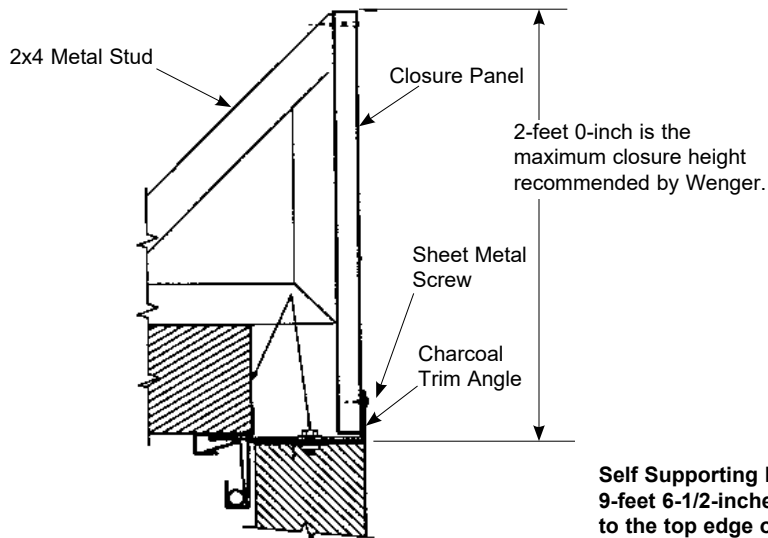
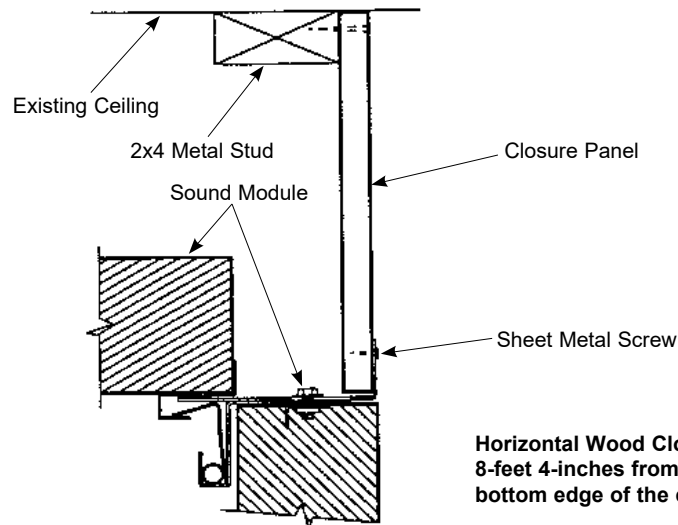


INSTALL THE HORIZONTAL CLOSURE PANELS

Material - Polyboard, 3/4-inch face both sides to be oyster colored thermosetting polyester, substrate industrial particle board with a plastic U-channel on all edges. Mounted using sheet metal screws painted oyster into metal 2x4 studs provided for support.

Application - Full width coverage from module ceiling rail to ceiling, cut to fit at installation.

Optional - A ventilation grille, painted oyster, approximately 8x13 1/2" added to closure.

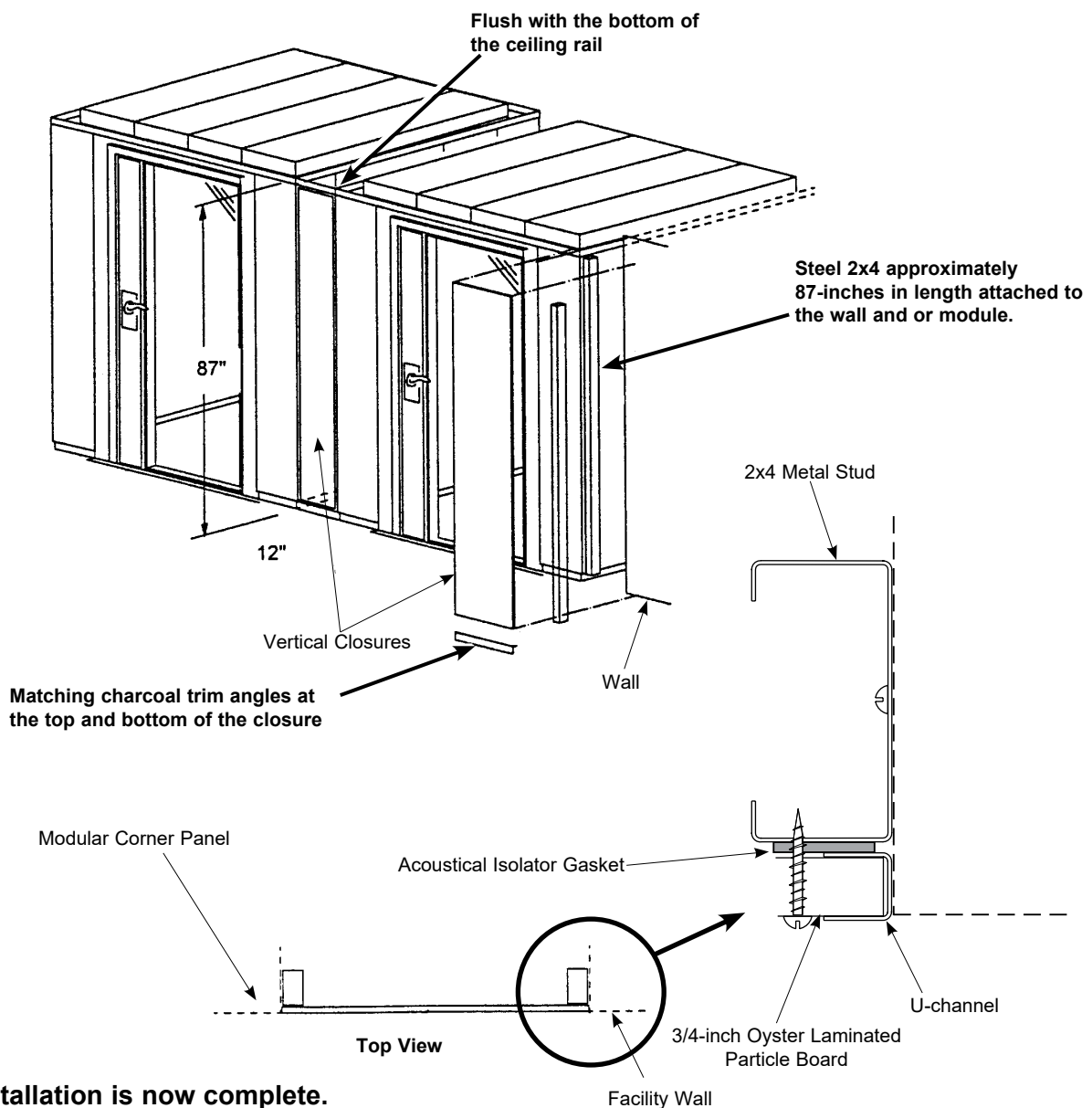


INSTALL THE VERTICAL CLOSURES

Material - Polyboard, 3/4" faces both sides to be oyster colored thermosetting polyester, substrate industrial particle board with acoustical isolator gaskets and plastic "U" channel on all edges. Mounted using sheet metal screws painted oyster into metal 2x4 studs provided for support.

Application - Full length coverage from module ceiling rail to floor, cut to fit at installation.

Optional - A ventilation grille, painted oyster, approximately 8"x13-1/2" added to closure.



Installation is now complete.

MAINTENANCE

CLEANING

Painted Surfaces — Any commercial non-abrasive cleaner

Glass — Any commercial glass cleaner

Floor — Standard floor cleaner

Vent Grille — Remove, clean in a commercial detergent and replace

Perforated Surfaces — Only slightly dampen a sponge or rag with water.
(Chemicals or excessive water can promote corrosion).

ADJUSTMENTS

Magnetic door gasket to door stop - Adjust only as necessary.

1. Loosen screws in vertical and/or horizontal door stops.
2. If gap is too tight, tap stops away from door with a rubber mallet or smooth wooden block.
3. Close door.
4. Gently tap stops toward magnetic gasket until a seal between magnet and door stop is made.
5. Open door and retighten screws
6. Remold sealant in upper corners where vertical and horizontal stops meet, if this seal is damaged during adjustment.
7. If there is a gap between the door stop and gasket perform steps C through F.

Sweep Seal Gasket at bottom of the door - adjust only as necessary.

1. Loosen two screws at sweep on latch side and one screw at sweep on the hinge side of the door.
2. Place Phillips screwdriver bit on screw heads and tap down on both ends of seal to lower sweep seal.

Note: If seal is forced down too far the door will be hard to open and close.

3. Tighten adjustment screws.

Oil Fan Motor

1. Remove four screws from inside service panel to remove the panel.
2. Slide three retaining clips from top channel.
3. Pull top of plate assembly, with large hole, out of housing.
4. Pull fan from bottom up and tip out to have access to motor. Put one drop of 10W, 20W or light machine oil in each of the two holes located on the motor.

Do not use WD-40! WD-40 can damage the motor.

5. Lower fan into position and replace plate assembly. Replace retaining clips, replace service panel cover and secure with the four screws.

Note: Oiling annually is sufficient. Over oiling can damage the motor.

MAINTENANCE CONTINUED

FAN ASSEMBLY REPLACEMENT

1. Turn fan switch to off and unplug fan connector cable from power panel.
2. Repeat steps 1, 2, and 3 of *Oil Fan Motor*.
3. Remove screws holding springs.
4. Lay fan flat and open electrical box on fan motor.
5. Disconnect cord from motor.
6. Remove fan unit.
7. Replace the new fan in reversed order.
8. Reverse steps 1, 2, and 3 of *Oil Fan Motor*.

GLASS DOOR OR WINDOW REPLACEMENT

1. Inner Most Glass Panel
 - a. Remove glass retainers on outer side of door leaf frame.
 - b. Remove 1/4" pane of glass Note: Glass is quite heavy.
 - c. Remove one vertical perforated metal glass separator.
 - d. Remove upper and lower horizontal separators (perforated metal).
 - e. Remove remaining vertical separator.
 - f. Remove inner panel of glass.
 - g. Remove rubber channel edging from glass and place on new pane of glass
 - h. Place new pane of glass into cavity, be sure surface to be placed between panes is clean.
 - i. Reseal corners with soft sealant left over from disassembly.
 - j. Replace separators, be sure thin wires are between rubber around windows and frame or door - these wires keep the separators from bowing out at the center.
 - k. Clean glass with glass cleaner and soft rag.
 - l. Replace outside window pane.
 - m. Reseal corners with soft sealant.
 - n. Replace retainers and smooth out soft sealant in corners.
2. Outside Glass Pane — unnecessary to remove separators.

MAGNETIC GASKET REPLACEMENT

1. Open top leg of aluminum gasket retainer with a wide flat bladed screwdriver. Do not destroy basic shape of lip.
2. Open legs of vertical retainers at the extreme bottom where gasket is held from dipping below retainer.
3. Slide gasket upwards out of retainers.
4. Thread new gasket into retainers starting from top, fitting open ends simultaneously into channels on both sides.
5. Use extreme care in pulling gasket into retainers to avoid damage to the thin webbing. Grasping the gasket around the magnet and pulling out away from the door and then down, will help avoid damage. The gasket should be held up about 6" above the door so that it can be fed straight into the vertical retainers.

MAINTENANCE CONTINUED

SWEEP SEAL GASKET REPLACEMENT

1. Remove four screws at sweep on latch side, remove the plate and remove one screw at sweep, holding sweep at hinge side.
2. With door open about 12-inches, push down on end of sweep seal and pull it out from end (or latch side) of door. It will help to fold the flange seal foam up and out of the way to ease pulling sweep seal from door. This will also ease installing a new seal.
3. Reverse this process to replace with new sweep seal.

KEY REPLACEMENT

A list of key numbers should be made immediately following installation and kept in a safe place. Should any keys be misplaced, you may contact the closest Schlage lock distributor.

CAPACITIES AND RATINGS

A. Ceiling Capacity 100 lb./sq.ft.

B. Power Requirements

The recommendation for power connections to V-Room Practice is that each room must have one dedicated 20A circuit.

Light Fixture

One 8" Fixture..... 1.1A

One 4' Fixture 0.6A

Fan (each) 1.9A

Electronic System (V-Room Practice only) 1.0A @ 120V AC 60 Hz

Inrush Current..... 20A maximum for 2 milliseconds.

Time to Steady State 10 milliseconds.

Interior outlets, maximum amperage per power panel available is 10 amps.

C. Floor Load Capacity

Distributed Load 200 lb./sq.ft.

Concentrated Load 300 lb./sq.ft.

D. Glass Specs: (CPSC Standard No. 1201 Category II) Covered by Federal Spec. DD-G-451C

Inner Pane: 3/16"x24 15/16"x76 7/8" Laminated Safety Glass with .030 Plastic.

Outer Pane: 1/4"x24 15/16"x76 7/8" Laminated Safety Glass with .030 Plastic.

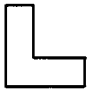
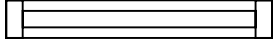
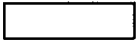


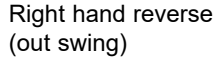
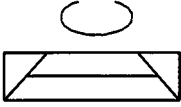
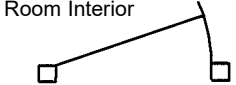

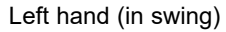
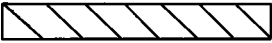
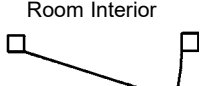
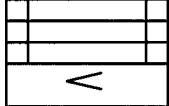
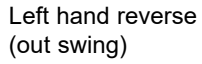
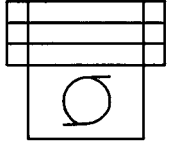
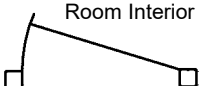




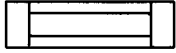
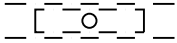

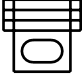


GLOSSARY

BOTTOM SEAL	Sweep seal at bottom of door leaf.
CEILING CLIP	Metal angle bracket located in channels of ceiling frame and ceiling panel frame that lock ceiling in place.
CEILING FRAME	Metal assembly that rests on wall panels and supports the ceiling panels.
CEILING PANEL	Modular panels that make up the ceiling.
CEILING RETAINER	Piece of tubing used to force cam lock action of ceiling clip.
CONNECTION CABLE	Electrical cable connecting panel to panel.
CONTROL PANEL	Part of electrical panel. Contains plate where future control panel will go for V-Room Practice.
CORNER PANEL	Contains integrated special boxes and wiring.
DIFFUSER	Fixture added to back of vent panel to improve sound control.
DISTRIBUTION CONNECTOR	Electrical fixture to make connections.
DOOR ASSEMBLY	Door outer frame and door leaf fully assembled.
DOOR LEVELING FEET	Rubber pad with threaded shank providing height adjustment.
DOOR LEVERSET	Handle with lock
DOOR SEAL	Magnetic gasket on door leaf
DOOR STEP TRIM	Metal plates used to protect floor edging at doorway
DOOR STOPS	Channel that the magnetic gasket seals against in door frame (page 24)
FAN UNIT	A housing added to wall panel that will pull air through the module.
HOLE PLUG	Plastic plug for holes in module panels
LEVELING SCREWS	Adjuster in wall frames with access from top side of frames
MICROPHONE PANEL	Modular perforated, 15-inch vertical wall section that contains the microphone mount (diamond shaped hole pattern on the perforated skin).
MODULAR BEAMS	A structure that bridges from wall to wall and support the ceiling.
OUTSIDE ANGLE SEAL	Angle projection from door leaf on outside of frame with sound seal
RETAINER	Round metal barrel used to hold ceiling clips in place.
ROTO LOCK	Cam action device to lock module panels one to another
SEPARATOR	Perforated channel that separates the two panels of glass.
SOFT SEALANT	Soft, pliable butyl rubber
SPACER JOINT	Ceiling frame section that fills spaces between the larger frame rails.
STUDS	Pins located at bottom of wall panels.

GLOSSARY (CONTINUED)

- TABS A plate added to ceiling joints and corner ceiling frames to hold alignment.
- TRIM MOLDING Metal angle to finish off module at floor, to wall at base.
- WALL FRAME Channel with sound seal and leveling adjusters. Makes up module foundation.
- WALL FRAME CLIPS Metal "C" shaped device that couples wall frame sections together
- WALL PANELS Modular vertical wall sections

SYMBOL LEGEND

Corner Post		30" Window Wall Pane	
15" Perforated Wall Panel		Room Interior	
15" Solid Wall Panel		Right hand reverse (out swing)	
Communication Panel		Room Interior	
30" Perforated Wall Panel		Left hand (in swing)	
30" Solid Wall Panel		Room Interior	
15" Vented Wall Panel		Left hand reverse (out swing)	
15" Fan Panel and Fan		Room Interior	
15" Power Panel with Fan & Light Switches: Interior & Exterior Outlets: Electrical & Audio		115V, 20 Ampere House Service (to be installed by others)	
15" Microphone Wall Panel		HVAC Plenum with 8-inch Round Adapter	
15" Window Wall Panel		Ceiling with Light	
		Ceiling with Vent	
		15-inch HVAC Wall Vent	
		Sprinkler Ready Ceiling Panel	
		Seismic floor brace location	

LIMITED WARRANTY

The Wenger V-Ready® Room System is guaranteed free of defects in materials and workmanship for five full years. Our guarantee assures you of either a full refund or repair or replacement of the defective materials or workmanship without charge, at the discretion of our Customer Service Department. Just call a Customer Service Representative at 1-800-887-7145 and state the reason you are dissatisfied. If a product return is necessary, your representative will issue a return authorization. This is your sole remedy for breach of this warranty.

Should you have a question or problem with any Wenger product, don't hesitate to call, even if the product is past warranty. It's important to us that all our customers be satisfied.

This is the sole warranty made by Wenger. Wenger disclaims all other warranties, including the warranties of merchantability and fitness for a particular purpose, as well as liability for incidental, consequential, special and indirect damage. Wenger liability for direct damages shall be limited to the amount you paid for the product involved. Wenger reserves the right to make product changes without obligation to incorporate such changes into products previously sold.

Some states do not allow the exclusion or limitation of damages or warranties, so the above may not apply to you. This warranty gives you specific legal rights. You may also have other rights which vary from state to state.

This page is intentionally blank.