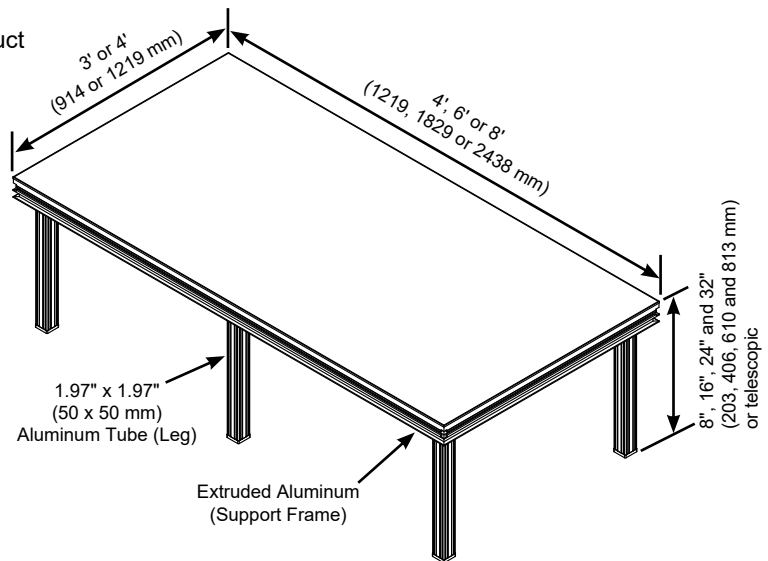
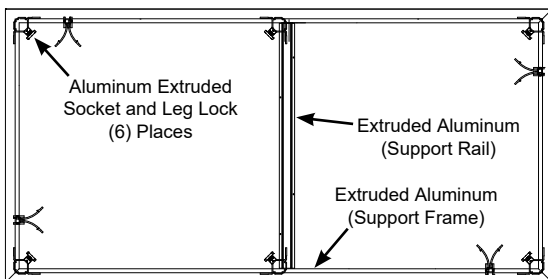


Versalite® Platforms

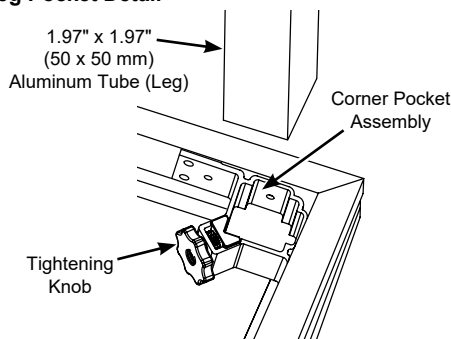
- 133H803_ Decks are available in the following sizes:

3' x 3' (914 x 914 mm): 37 lb (16.8 kg)	3' x 6' (914 x 1829 mm): 65 lb (29 kg)
3' x 8' (914 x 2438 mm): 87 lb (39 kg)	4' x 4' (1219 x 1219 mm): 59 lb (27 kg)
4' x 6' (1219 x 1829 mm): 85 lb (38.5 kg)	4' x 8' (1219 x 2438 mm): 107 lb (48.5 kg).
- Surface options:
 - Black Standard (Moroccan): Platforms are 3/4" (19 mm) plywood with slip resistant overlay recommended for general multi-purpose applications
 - Black Heavy-Duty (Quadriple): Platforms are 3/4" (19 mm) plywood with an aggressive textured overlay for applications requiring greater slip resistance
 - Natural Hardboard: Platforms are 3/4" (19 mm) using 1/2" (12 mm) plywood bonded between two faces of 1/8" (3 mm) tempered hard-ply
 - Carpeted: Manufacturer's standard grey carpet over a 5/8" (16 mm) plywood core (Contact Wenger for a sample)
 - Carpet Ready: A 5/8" (16 mm) plywood core ready to receive carpet surface
- Versalite Load Ratings as measured on a 4' x 8' (1219 x 2438 mm) rectangular deck:
 - Standard Uniform Load: 125 lb/ft² (6 kN/m²)
 - Dynamic Live Load: Side load of 15% of total uniform live load which equals 600 lb (2.7 kN) side load on a platform under a total uniform live load of 4,000 lb (17.8 kN)
 - Point Load: 1,500lb (6.7 kN) applied via 1" (25 mm) diameter pin
- Frame and edging are fabricated from 3" (76 mm) thick aluminum extrusion. The extrusion is designed with special grooves to protect the top surface edge, connect adjacent platforms and attach all accessories.
- Deck units have six extruded aluminum leg sockets to accept the detachable legs. 3' x 6' (914 x 1829 mm) and 4' x 4' (1219 x 1219 mm) decks have four leg sockets. Legs lock quickly into leg socket with the rotation of the knob.
- Standard leg sizes are 8" (203 mm), 16" (406 mm), 24" (610 mm) and 32" (813 mm). Custom leg sizes are available.
- Adjustable telescopic leg sets 16"-28" (406-711 mm), 25"-40" (635-1016 mm) and 31"-54" (787-1372 mm)
- Legs are made from aluminum and have a plastic cap to protect flooring.
- Optional legs are available with adjustable screw-type feet to accommodate uneven surfaces.
- Optional leg storage clips are available.
- Unit-to-unit connectors lock units together, both side-to-side and end-to-end to provide strength and uniformity throughout the stage system.
- Environmental attributes and LEED compliance for this product can be found at www.wengercorp.com/GREEN or by contacting your Wenger representative
- Five-year warranty

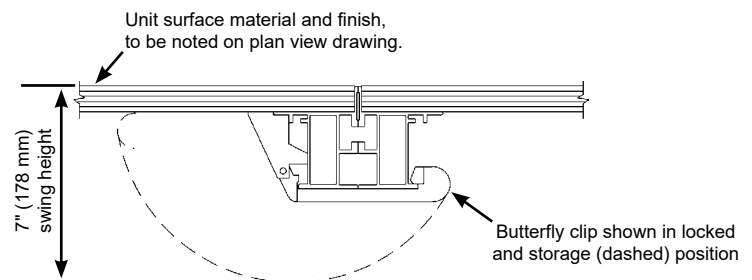
Versalite Typical Staging Unit



Leg Pocket Detail



Typical Unit to Unit Connection



Accessories

Transport Carts

- Staging Universal Deck & Rail Cart is ideal for non-rectangular units such as pie shapes used in seated risers and oversize units used in the portable disability ramp or when no double door is available (fits through a 32" [813 mm] door)

Stairways – Fixed Height and Adjustable

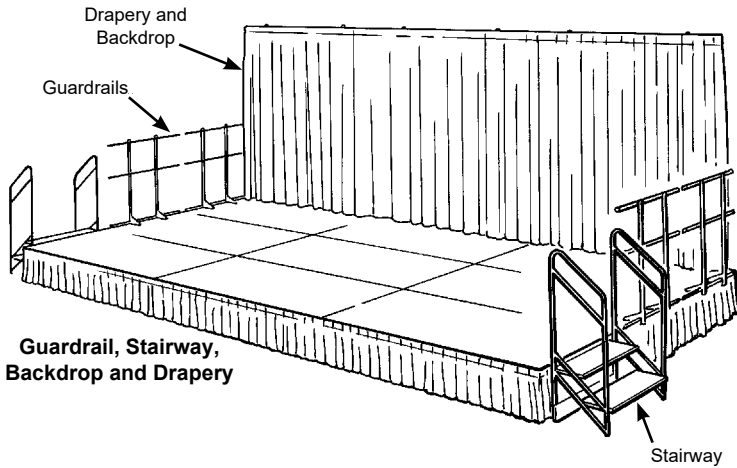
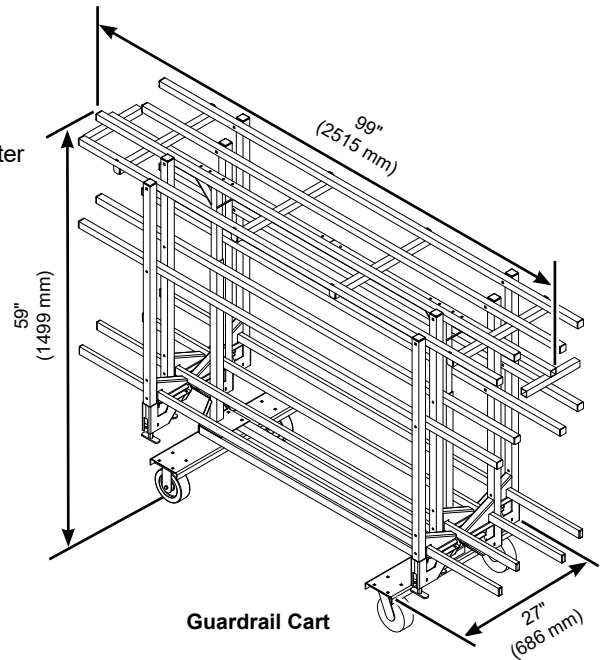
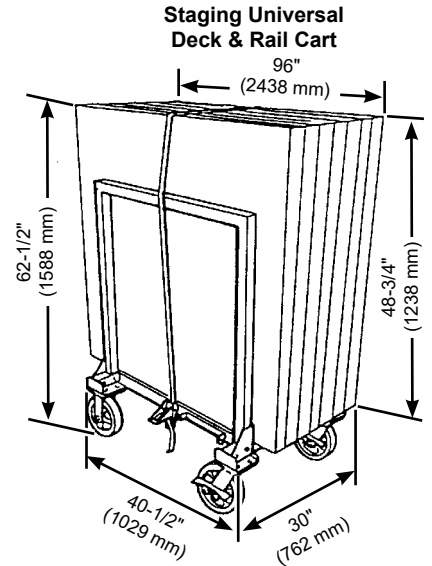
- Fixed Height Stairways:
 - 2-Step: 281A100 55 lb (25 kg), 3-Step: 281A101 76 lb (34 kg)
 - 4-Step: 281A102 94 lb (43 kg)
- Adjustable Height Stairways:
 - 3-Step: 281A201 107 lb (49 kg), 4-Step: 281A202 122 lb (55 kg)
 - 6-Step: 281A203 160 lb (73 kg), 8-Step: 281A204 188 lb (85 kg)

Rails

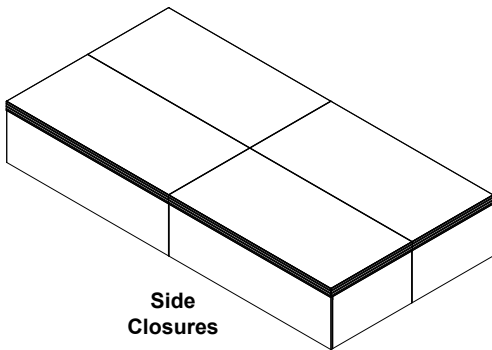
- Guardrails comply with many building code requirements for loading
- Guardrails are available with either two cross bars or an infill panel that complies with the 4" (102 mm) sphere rule that appears in many building codes. Both designs incorporate a chair stop.
- Guardrails are 42" (1067 mm) high with a black powder paint finish. Chair stop has a dark grey powder paint finish.
- Guardrails clamp to the stage without the need for tools
- Guardrail Cart: 011D800 91 lb (41 kg)

Drapery and Backdrop

- Drapery closures are available in heights to match the staging elevations
- Dual height drapery is available for the dual height stages
- Drapery available in a wide variety of colors. 100% fire retardant woven polyester
- Drapery attaches with hook and loop fastening system
- Backdrop frame attaches to guardrails for safety



Guardrail, Stairway, Backdrop and Drapery



© 2021 Wenger Corporation
USA/2021-05

MUSIC EDUCATION AND PERFORMING ARTS

Owatonna Office: Phone 800.4WENGER (493-6437) Worldwide +1.507.455.4100 | Parts & Service 800.887.7145 | wengercorp.com
555 Park Drive, PO Box 448 | Owatonna | MN 55060-0448

Syracuse Office: Phone 800.836.1885 Worldwide +1.315.451.3440 | jrclancy.com | 7041 Interstate Island Road | Syracuse | NY 13209-9713

ATHLETICS Phone 800.493.6437 | email gearboss@wengercorp.com | gearboss.com | 555 Park Drive, PO Box 448 | Owatonna | MN 55060-0448