

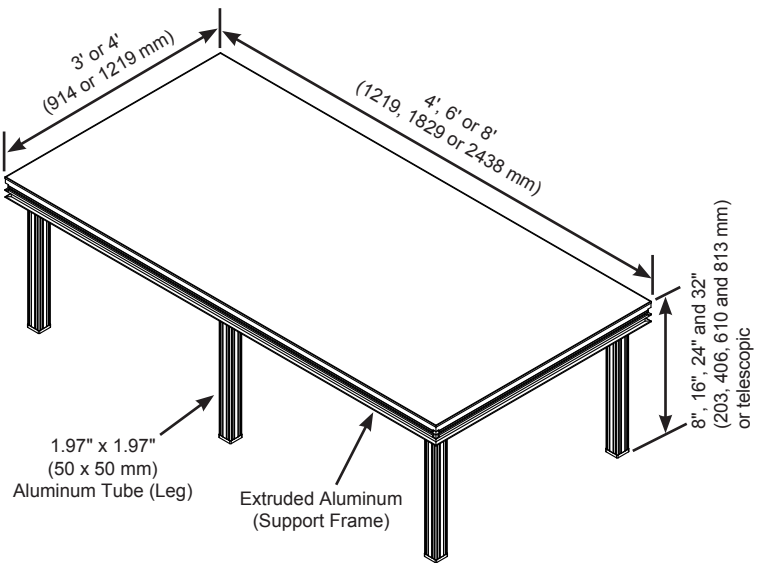
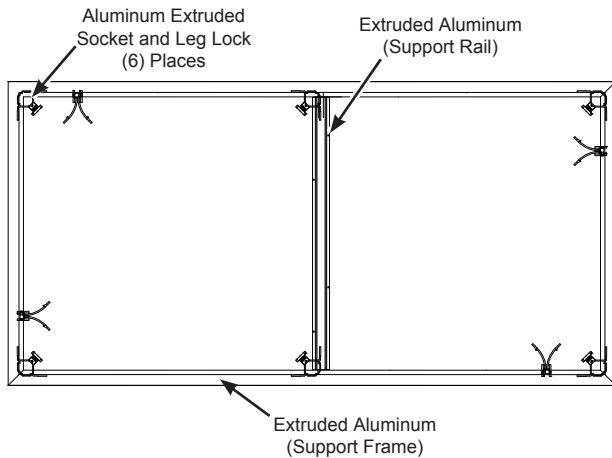
Versalite® Seated Band/Orchestra Risers



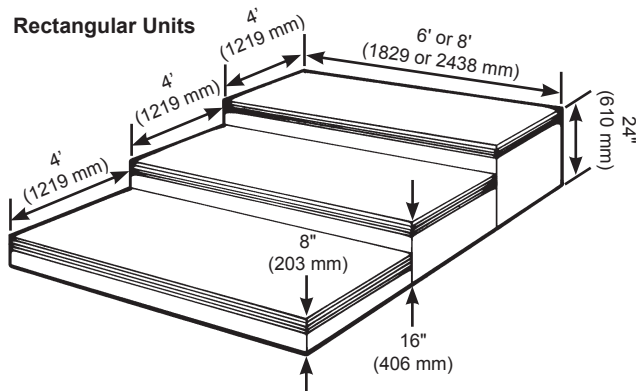
Your Performance Partner

- System consists of individual Versalite® platforms, combined to create a multi-level seating arrangement.
- Platforms are available in 4' x 6' (1219 x 1829 mm) and 4' x 8' (1219 x 2438 mm) surface dimensions and in standard heights of 8", 16", 24" and 32" (203, 406, 610 and 813 mm). Pie-shaped units are also available.
- Surface options:
 - Black Standard (Moroccan): Platforms are 3/4" (19 mm) plywood with slip resistant overlay recommended for general multi-purpose applications.
 - Black Heavy-Duty (Quadriple): Platforms are 3/4" (19 mm) plywood with an aggressive textured overlay for applications requiring greater slip resistance.
 - Natural Hardboard: Platforms are 3/4" (19 mm) using 1/2" (12 mm) plywood bonded between two faces of 1/8" (3 mm) tempered hard-ply.
 - Carpeted: Manufacturer's standard grey carpet over a 5/8" (16 mm) plywood core (Contact Wenger for a sample).
- Frame and edging are fabricated from aluminum extrusion. The extrusion is designed with special grooves to protect the top surface edge, connect adjacent platform and attach all accessories.
- Chair stops are provided for each riser set.
- Deck units have extruded aluminum leg sockets to accept the detachable legs. Legs lock quickly into leg socket with the rotation of the knob.
- Optional Leg Storage Clips are available.
- Environmental attributes and LEED compliance for this product can be found at www.wengercorp.com/GREEN or by contacting your Wenger representative.
- Five-year warranty.

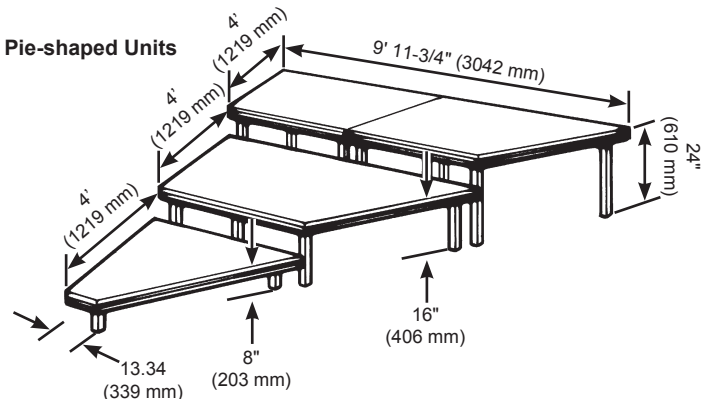
Versalite® Typical Staging Unit



Rectangular Units



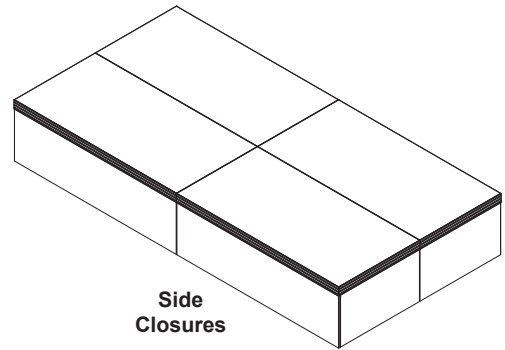
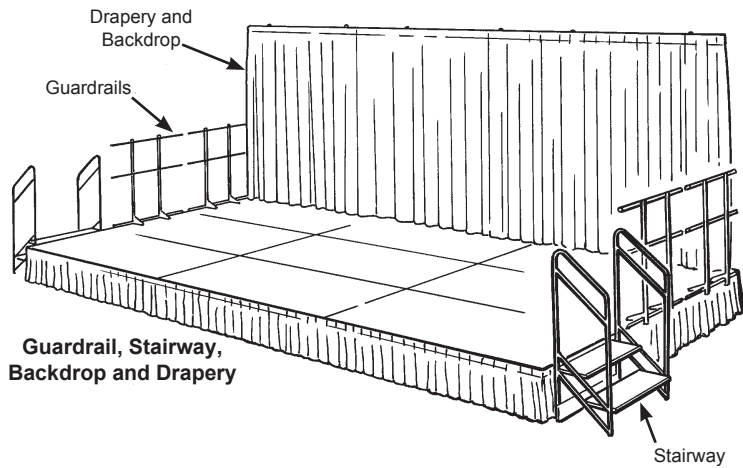
Pie-shaped Units



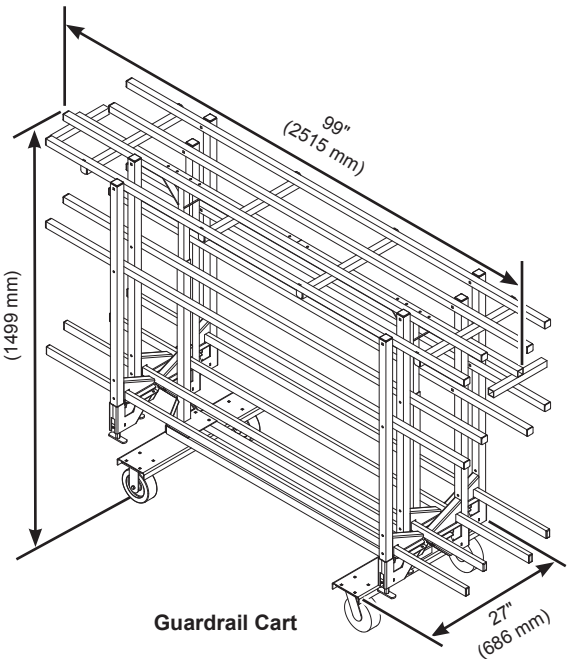
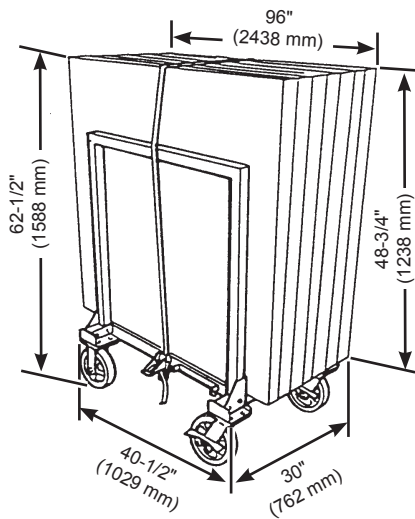
Accessories continued on next page.

Accessories

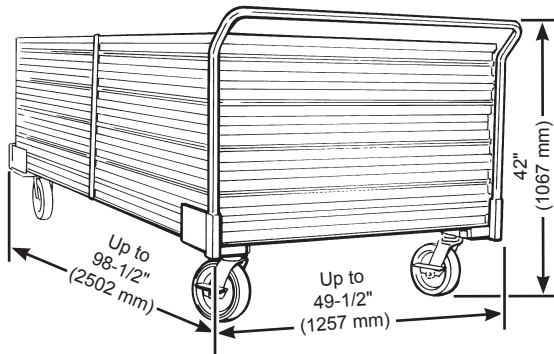
- Side Closure Panels – Close each end of the riser arrangement.
- Front Closure Panels – Closes the gaps between elevations. Gives a finished-off, built-in look.
- Guardrails – Provide a measure of protection while adding a professional appearance.
- Transport Carts – Move units from one location to another. Enables efficient two-person handling.
- Guardrail Carts – Move guardrails from one location to another.



Universal Deck & Rail Cart



10-Unit Transport Cart



© 2017 Wenger Corporation
USA/2017-12/W

