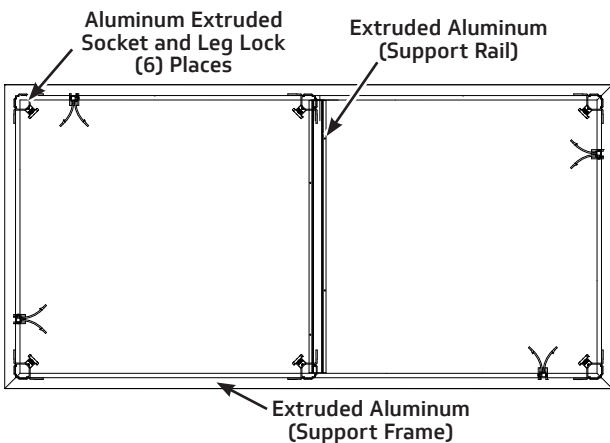
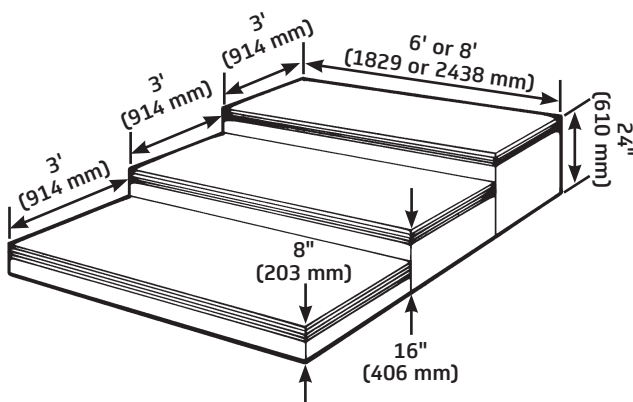
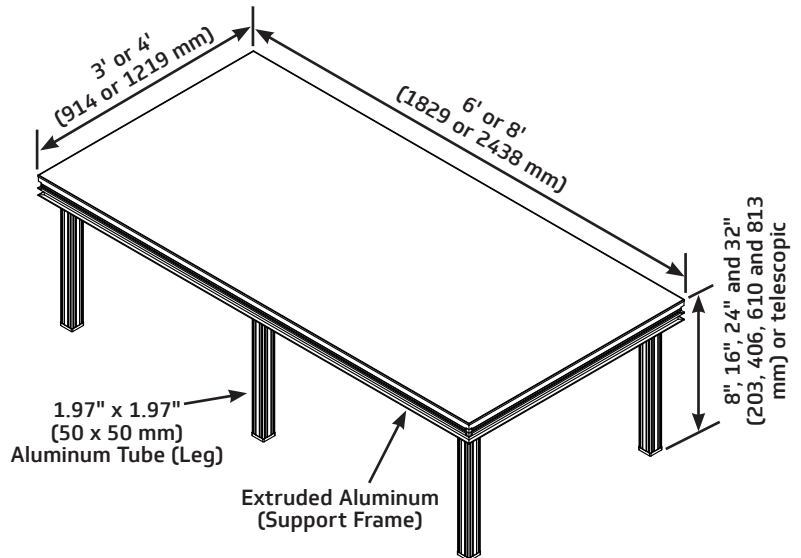


# Versalite® Seated Choral Risers

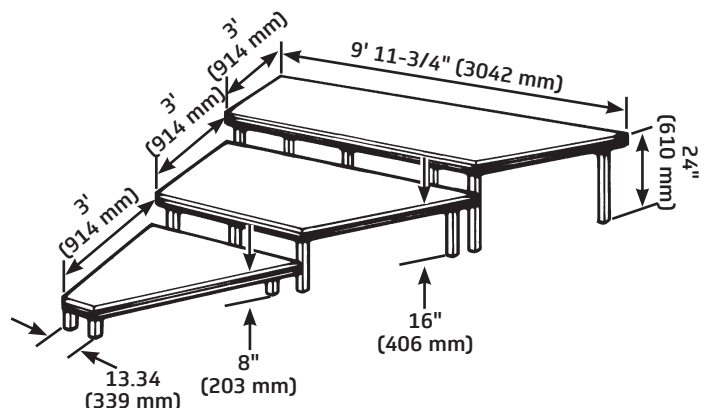
- System consists of individual Versalite platforms, combined to create a multi-level seating arrangement
- Platforms are available in 3' x 6' (914 x 1829 mm) and 3' x 8' (914 x 2438 mm) surface dimensions and in standard heights of 8", 16", 24" and 32" (203, 406, 610 and 813 mm), pie-shaped units are also available
- Surface options:
  - Black Standard (Moroccan): Platforms are 3/4" (19 mm) plywood with slip resistant overlay recommended for general multi-purpose applications
  - Black Heavy-Duty (Quadriple): Platforms are 3/4" (19 mm) plywood with an aggressive textured overlay for applications requiring greater slip resistance
  - Natural Hardboard: Platforms are 3/4" (19 mm) using 1/2" (12 mm) plywood bonded between two faces of 1/8" (3 mm) tempered hard-ply
  - Carpeted: Manufacturer's standard grey carpet over a 5/8" (16 mm) plywood core (Contact Wenger for a sample)
- Frame and edging are fabricated from 3" (76 mm) thick aluminum extrusion; the extrusion is designed with special grooves to protect the top surface edge, to connect adjacent platforms and to attach all accessories
- Chair stops are provided for each riser set
- Deck units have extruded aluminum leg sockets to accept the detachable legs that lock quickly into leg socket with the rotation of the knob
- Optional leg storage clips are available
- Five-year warranty



**Versalite Typical Staging Unit**



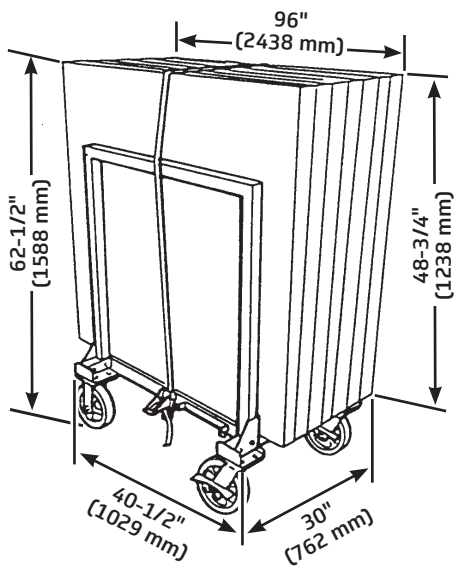
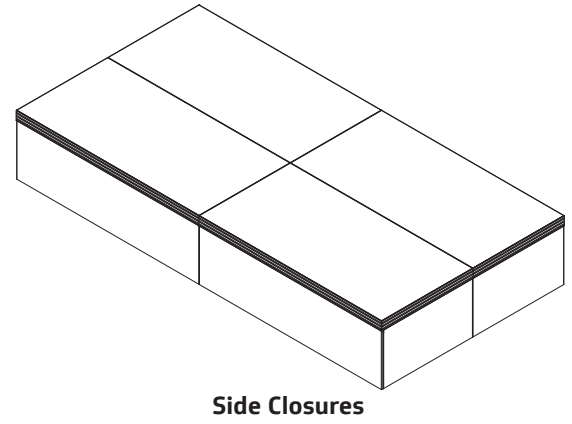
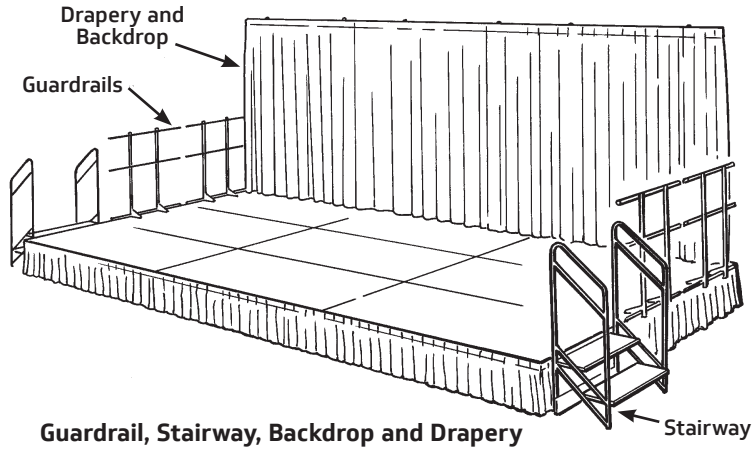
**Rectangular Units**



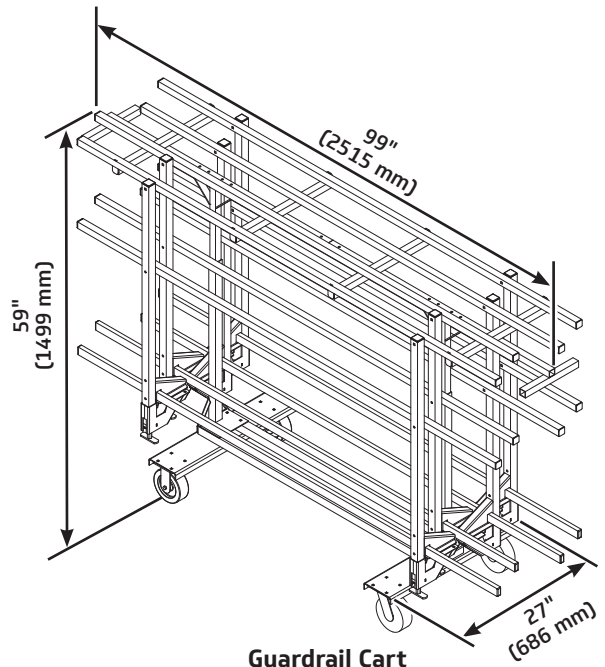
**Pie-shaped Units**

**Accessories**

- Side Closure Panels – Close each end of the riser arrangement
- Front Closure Panels – Closes the gaps between elevations; gives a finished-off, built-in look
- Guardrails – Provide a measure of protection while adding a professional appearance
- Transport Carts – Move units from one location to another; enables efficient two-person handling
- Guardrail Carts – Move guardrails from one location to another



**Staging Universal Deck & Rail Cart**



**Guardrail Cart**



© 2024 Wenger Corporation  
USA/2024-04

**Minnesota Location** Wenger Phone 800.4WENGER (493-6437) Wenger Worldwide +1.507.455.4100 | Parts & Service 800.887.7145 | wengercorp.com  
GearBoss Phone 800.493.6437 | gearboss.com  
555 Park Drive, PO Box 448 | Owatonna | MN 55060

**New York Location** J.R. Clancy Phone 800.836.1885 JR Clancy Worldwide +1.315.451.3440 | jrclancy.com | 7041 Interstate Island Road | Syracuse | NY 13209