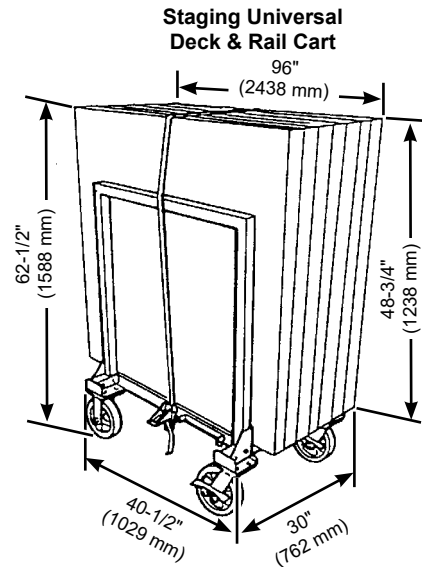


Versalite® Storage Carts

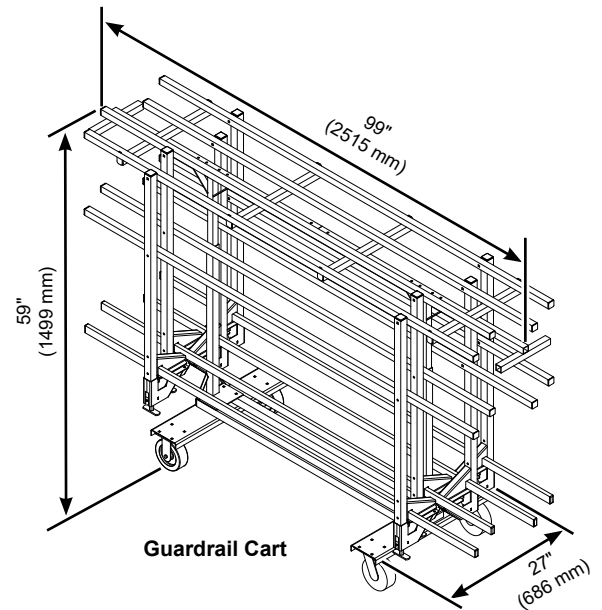
Staging Universal Deck & Rail Cart

- 113J001 (85 lbs) (38 kg).
- All steel construction. Black powder-coat painted finish.
- Dimensions:
Empty: 30" wide x 40-1/2" long x 48-3/4" high (762 x 1029 x 1238 mm)
Loaded: 30" wide x 96" long x 62-1/2" high (762 x 2438 x 1588 mm)
Folded: 43-1/2" wide x 40-1/2" long x 18-1/2" high (1105 x 1029 x 470 mm).
- 8" (203 mm) diameter casters, two swivel and two rigid.
- Stage unit is simply rotated off the cart and into position.
- Cart conveniently folds when empty for easy storage.
- Fits through standard 36" (914 mm) doorway.
- Ideal for non-rectangular units such as pie shapes used in seated risers or oversized units used in the Portable Disability Ramp.
- This 8-unit cart is also used for the Wenger Pit Filler, but the capacity is reduced to 6-units.
- Five-year warranty.



Guardrail Cart

- 011D800 (91 lbs) (41 kg).
- Dimensions (loaded or unloaded):
27" w x 99" l x 59" h (686 x 2515 x 1499 mm)
- Ideal for space efficient storage of guardrails.
- Environmental attributes and LEED compliance for this product can be found at www.wengercorp.com/GREEN or by contacting your Wenger representative
- Five-year warranty.



MUSIC EDUCATION AND PERFORMING ARTS

Owatonna Office: Phone 800.4WENGER (493-6437) Worldwide +1.507.455.4100 | Parts & Service 800.887.7145 | wengercorp.com
555 Park Drive, PO Box 448 | Owatonna | MN 55060-0448

Syracuse Office: Phone 800.836.1885 Worldwide +1.315.451.3440 | jrclancy.com | 7041 Interstate Island Road | Syracuse | NY 13209-9713

ATHLETICS Phone 800.493.6437 | email gearboss@wengercorp.com | gearboss.com | 555 Park Drive, PO Box 448 | Owatonna | MN 55060-0448