

Versalite Dual Post Leg Pocket

## CONTENTS

CONTENTS .....	1
WARRANTY .....	2
USER INFORMATION .....	2
REQUIRED TOOLS .....	3
PARTS LIST .....	3
REPLACEMENT INSTRUCTIONS .....	3-4

**Note:** Please read and understand the Versalite Dual Post Leg Pocket Replacement Instructions before replacing the parts.

# WARRANTY

---

The Versalite Dual Leg Pocket is guaranteed free of defects in materials and workmanship for five full years.

Our guarantee assures you of either a full refund, repair or replacement of the defective materials or workmanship without charge, at the discretion of our Customer Service Department.

Call a Customer Service Representative at 1-800-887-7145 and state the reason you are dissatisfied. If a product return is necessary, your representative will issue a return authorization.

This is your sole remedy for breach of this warranty.

Should you have a question or problem with any Wenger product, don't hesitate to call, even if the product is past warranty. It's important to us that all our customers be satisfied.

This is the sole warranty made by Wenger. Wenger disclaims all other warranties, including the warranties of merchantability and fitness for a particular purpose, as well as all liability for incidental, consequential, special, and indirect damage. Wenger liability for direct damages shall be limited to the amount you paid for the product involved. Wenger reserves the right to make product changes without obligation to incorporate such changes into products previously sold.

Some states do not allow the exclusion or limitation of damages or warranties, so the above may not apply to you. This warranty gives you specific legal rights. You may also have other rights which vary from state to state.

## IMPORTANT USER INFORMATION

---

### GENERAL

Copyright® 2009 by Wenger Corporation

All rights reserved. No part of the contents of this manual may be reproduced, copied, or transmitted in any form or by any means including graphic, electronic, or mechanical methods or photocopying, recording, or information storage and retrieval systems without the written permission of the publisher, unless it is for the purchaser's personal use.

Printed and bound in the United States of America.

The information in this manual is subject to change without notice and does not represent a commitment on the part of Wenger Corporation. Wenger Corporation does not assume any responsibility for any errors that may appear in this manual.

In no event will Wenger Corporation be liable for technical or editorial omissions made herein, nor for direct, indirect, special, incidental, or consequential damages resulting from the use or defect of this manual.

The information in this document is not intended to cover all possible conditions and situations that might occur. The end user must exercise caution and common sense when assembling or installing Wenger Corporation products. If any questions or problems arise, call Wenger Corporation at 1-800-733-0393.

### MANUFACTURER

The Versalite Dual Post Leg Pocket is manufactured by:

Wenger Corporation

555 Park Drive

Owatonna, MN 55060

1-507-455-4100 • 1-800-733-0393

[www.wengercorp.com](http://www.wengercorp.com)

### INTENDED USE

- This product is intended for indoor use in normal ambient temperature and humidity conditions — it must not be exposed to prolonged outside weather conditions.
  - This product is intended to be assembled only as described in these instructions.
-

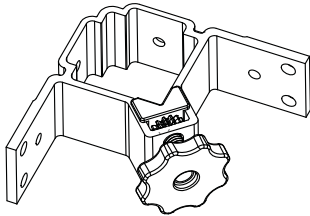
## TOOLS REQUIRED

---

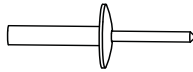
- Electric Drill with 1/4 inch (.250) dia. Drill Bit
- Phillips Screwdriver (#2 tip)
- Pneumatic Riveting Gun capable of riveting 1/4 dia. steel blind rivets.

## PARTS LIST

---



Versalite Dual Post Corner  
Pocket Assembly (1)

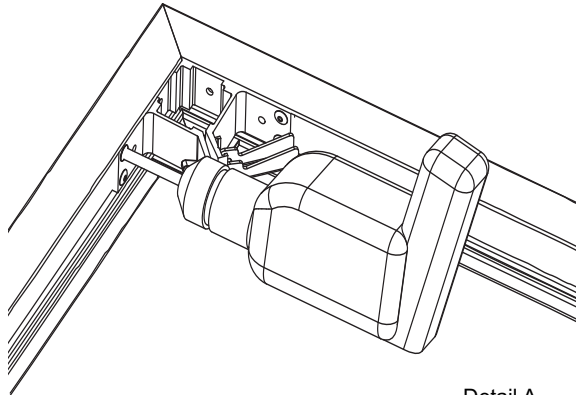


Steel Blind Rivets  
1/4 x .375 (4)

## REPLACEMENT INSTRUCTIONS

---

1. Drill out the four blind rivets, using 1/4" (.250) dia. drill bit, on each corner. Remove the corner and clear the rivet pieces from the holes. **Detail A**

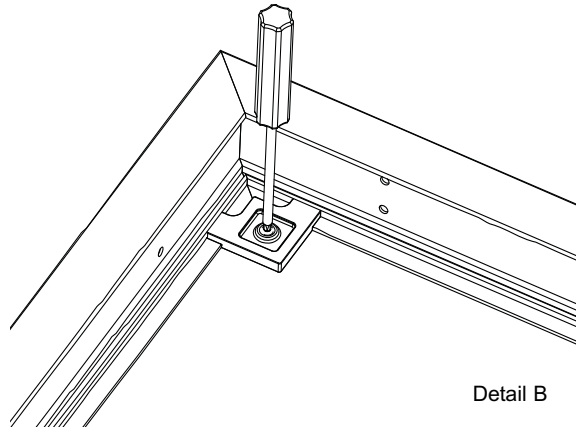


Detail A

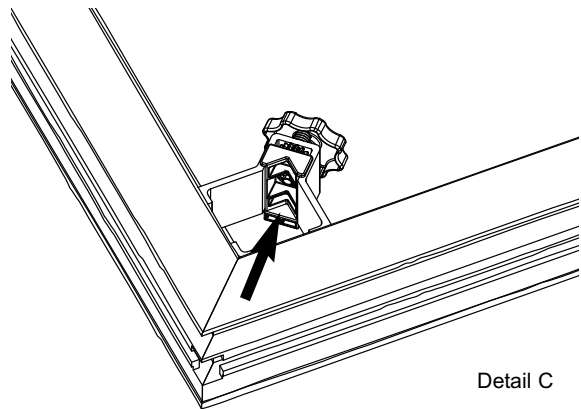
## REPLACEMENT INSTRUCTIONS (CONTINUED)

---

2. Remove the corner block. Clear the area of any metal chips or other debris. **Detail B**



3. Insert the new corner, making sure that the slider leg shelf is down towards the deck panel. The leg will not go into the corner pocket if it is installed upside down. **Detail C**



4. Rivet the corner into the frame using the four blind rivets provided. **Detail D**

