

CONTENTS

WARRANTY	1
USER INFORMATION	2
PART/FASTENER LIST	2
INSTALLATION VERSALITE LEG STORAGE CLIP	3
LEG STORAGE CLIP PLACEMENT	4

WARRANTY

The Versalite Leg Storage Clip is guaranteed free of defects in materials and workmanship for five full years.

Our guarantee assures you of either a full refund or repair or replacement of the defective materials or workmanship without charge, at the discretion of our Customer Service Department.

Just call a Customer Service Representative at 1-800-887-7145 and state the reason you are dissatisfied. If a product return is necessary, your representative will issue a return authorization.

This is your sole remedy for breach of this warranty.

Should you have a question or problem with any Wenger product, don't hesitate to call, even if the product is past warranty. It's important to us that all our customers be satisfied.

This is the sole warranty made by Wenger. Wenger disclaims all other warranties, including the warranties of merchantability and fitness for a particular purpose, as well as all liability for incidental, consequential, special, and indirect damage. Wenger liability for direct damages shall be limited to the amount you paid for the product involved. Wenger reserves the right to make product changes without obligation and to incorporate such changes into products previously sold.

Some states do not allow the exclusion or limitation of damages or warranties, so the above may not apply to you. This warranty gives you specific legal rights. You may also have other rights which vary from state to state.

IMPORTANT USER INFORMATION

GENERAL

Copyright® 2008 by Wenger Corporation

All rights reserved. No part of the contents of this manual may be reproduced, copied, or transmitted in any form or by any means including graphic, electronic, or mechanical methods or photocopying, recording, or information storage and retrieval systems without the written permission of the publisher, unless it is for the purchaser's personal use.

Printed and bound in the United States of America.

The information in this manual is subject to change without notice and does not represent a commitment on the part of Wenger Corporation. Wenger Corporation does not assume any responsibility for any errors that may appear in this manual.

In no event will Wenger Corporation be liable for technical or editorial omissions made herein, nor for direct, indirect, special, incidental, or consequential damages resulting from the use or defect of this manual.

The information in this document is not intended to cover all possible conditions and situations that might occur. The end user must exercise caution and common sense when assembling or installing Wenger Corporation products. If any questions or problems arise, call Wenger Corporation at 1-800-733-0393.

MANUFACTURER

The Versalite Leg Storage Clip is manufactured by:

Wenger Corporation
555 Park Drive
Owatonna, MN 55060
1-507-455-4100 • 1-800-733-0393
www.wengercorp.com

INTENDED USE

- This product is intended for indoor use in normal ambient temperature and humidity conditions.
- This product is intended to be used only as described in these instructions.

BEFORE YOU BEGIN

Before installing the Versalite Leg Storage Clip, do the following:

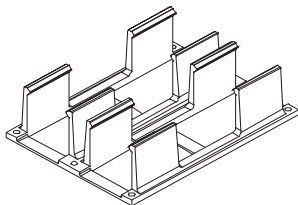
- Read and understand the installation/operating instructions.
- Remove all items from the shipping carton and arrange the parts similar to the diagram below.
- Make sure that all parts are present.

TOOLS REQUIRED

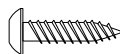
Tools required for installing the Versalite Leg Storage Clip are:

- Phillips screwdriver
- Tape Measure

PART/FASTENER



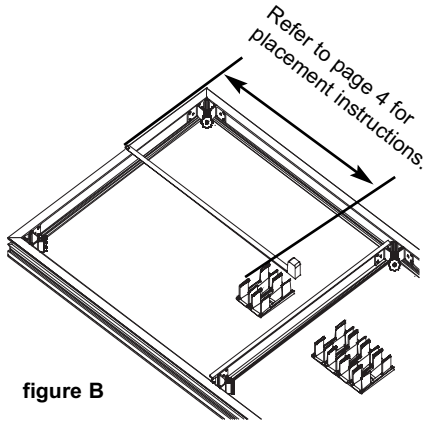
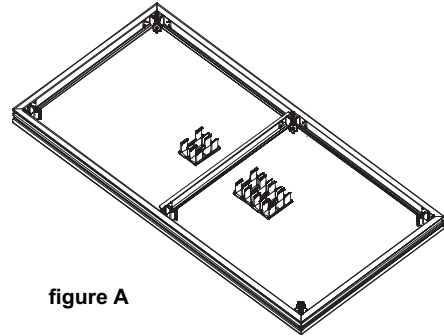
Leg Storage Clip



Sheet Metal Screw
#10 x 3/4

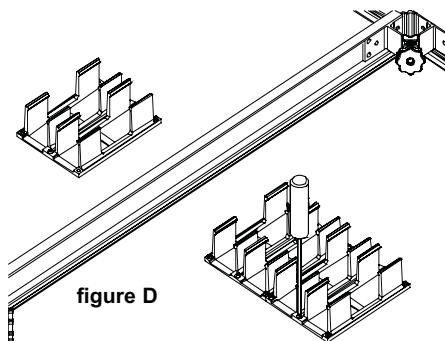
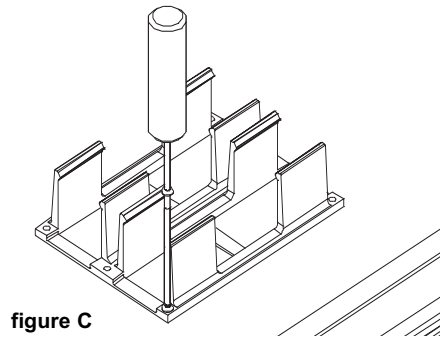
INSTALLING VERSALITE LEG STORAGE CLIP

1. Place the leg clips on the deck. Use two clips for units with three or four legs. Use three clips for units with five or six legs. (figure A)



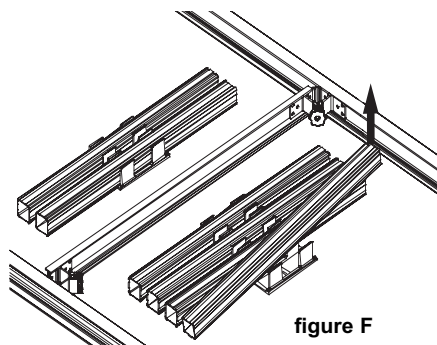
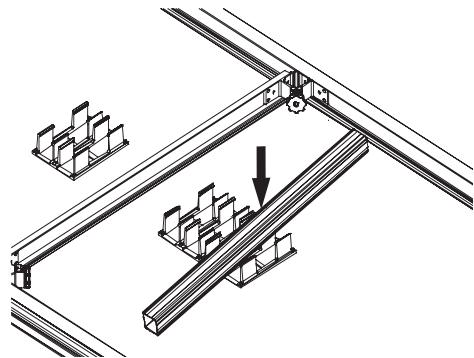
2. Move and rotate the leg clip along the deck until it is at the right location. Refer to page 4 for the placement instructions. (figure B)

3. Hold the base firmly to the deck. Insert a screw through the hole and tighten it into the deck using a phillips screw driver. (figure C)



4. Repeat for the six screw for each clip repeat for the other clips on the deck. (figure D)

5. To put the leg into the clip, align the leg with the clip opening, push the leg firmly into the clip. (figure E)



7. To remove a leg from the clip, grasp the leg on one end and pull up until it comes free. (figure F)

LEG STORAGE CLIP PLACEMENT

Note: You may have extra leg storage clips, if some platforms use two instead of three clips.

