



Your Performance Partner

Owner's Manual Vision® Platform System

CONTENTS

Safety Precautions	2
Setup	2
Guard Rails	2
Transport/Storage Carts	2
Step Stringers	2
Attachment Bracket	2
Adjustment Knobs	3
Handrails	3
Important User Information	3
General	3
Manufacturer	3
Intended Use	3
Warranty	4
Introduction	4
Typical Stage Layouts	5
To Setup Platforms	8
Tools Required	8
Setup	8
To Install Back and Side Rails	14
To Install Stairway(s)	15
To Attach Drapery Skirting	18
To install Backdrop(s)	18
To Disassemble Stage	19
To Remove the Stairway	19
To Transport and Store Stage Components	19
Guard Rails	20
Decks	20
Columns	20
Trusses	21
Maintenance	23
Decks	23
Drapery Skirting and Backdrops	23
Other Preventive Maintenance	23
Replacement Parts List	24
Ordering Replacement Parts	24
Columns and Levers	24
Guard Rail	25
Guard Rail Transport/Storage Cart	26
Column Transport/Storage Cart	28
Truss Transport/Storage Cart	29
Deck Transport/Storage Cart	30
Backdrop Frames	32
Stairway	33
Stair Handrail Assembly	34

Please read and understand this Owner's Manual before working with or using the Vision Platform System.

If you need additional information about the Vision Platform System, contact Wenger Corporation using the information below.

SAFETY PRECAUTIONS

GENERAL

Throughout this manual you will find **CAUTIONS** and **WARNINGS** which are defined as follows.

- **WARNING** means that failure to follow the instruction may result in serious injury or death.
- **CAUTION** means that failure to follow the instruction may result in serious injury or damage to property.

Read all of these safety instructions before setting up the Vision Platform System.

SETUP

! CAUTION

Make sure that anyone working on the Vision Platform System has read and understands this manual.

! CAUTION

Failure to comply with Warnings and Cautions in this document and posted on the system equipment can result in damage to property or serious injury.

! CAUTION

Some setup steps require two people to avoid injury.

GUARD RAILS

The guard rails are indicators of the perimeter of the platform, and are not intended as a universal restraint.

! WARNING

Guard Rails could collapse if excess weight or pressure is applied.

! WARNING

Never use Guard Rails as:

- *As a crowd barrier*
- *As a perch*
- *As a tie-down.*

TRANSPORT/STORAGE CARTS

Secure the cart straps promptly, and never move loaded carts unless their straps are properly secured. Be especially careful that trusses are secured.

! WARNING

Components can fall unless stacked and secured properly on carts.

STEP STRINGERS

! CAUTION

To avoid injury, keep hands clear from between step stringers. Use the provided handles when moving.

ATTACHMENT BRACKET

! WARNING

Stairway is unsafe if attachment bracket latches are not engaged.

SAFETY PRECAUTIONS (CONTINUED)

ADJUSTMENT KNOBS



HANDRAILS



IMPORTANT USER INFORMATION

GENERAL

Copyright © 2006 by Wenger Corporation

All rights reserved. No part of the contents of this manual may be reproduced, copied, or transmitted in any form or by any means including graphic, electronic, or mechanical methods or photocopying, recording, or information storage and retrieval systems without the written permission of the publisher, unless it is for the purchaser's personal use.

Printed and bound in the United States of America.

The information in this manual is subject to change without notice and does not represent a commitment on the part of Wenger Corporation. Wenger Corporation does not assume any responsibility for any errors that may appear in this manual.

In no event will Wenger Corporation be liable for technical or editorial omissions made herein, nor for direct, indirect, special, incidental, or consequential damages resulting from the use or defect of this manual.

The information in this document is not intended to cover all possible conditions and situations that might occur. The end user must exercise caution and common sense when assembling or installing Wenger Corporation products. If any questions or problems arise, call Wenger Corporation at 1-800-733-0393.

MANUFACTURER

The Vision Platform System is manufactured by:

Wenger Corporation
555 Park Drive
Owatonna, MN 55060
1-507-455-4100 • 1-800-733-0393
www.wengercorp.com

INTENDED USE

- This product is designed to be a platform elevation for vocal or instrumental groups.
- This product is intended for indoor use in normal ambient temperature and humidity conditions — it must not be exposed to prolonged outside weather conditions.
- This product is intended to be installed only as described in these instructions.

WARRANTY

The Vision Platform System is guaranteed free of defects in materials and workmanship for five full years.

Our guarantee assures you of either a full refund or repair or replacement of the defective materials or workmanship without charge, at the discretion of our Customer Service Department. Just call a Customer Service Representative at 1-800-887-7145 and state the reason you are dissatisfied. If a product return is necessary, your representative will issue a return authorization. This is your sole remedy for breach of this warranty.

Should you have a question or problem with any Wenger product, don't hesitate to call, even if the product is past warranty. It's important to us that all our customers be satisfied.

This is the sole warranty made by Wenger. Wenger disclaims all other warranties, including the warranties of merchantability and fitness for a particular purpose, as well as all liability for incidental, consequential, special, and indirect damage. Wenger liability for direct damages shall be limited to the amount you paid for the product involved. Wenger reserves the right to make product changes without obligation to incorporate such changes into products previously sold.

Some states do not allow the exclusion or limitation of damages or warranties, so the above may not apply to you. This warranty gives you specific legal rights. You may also have other rights which vary from state to state.

INTRODUCTION

The Vision Platform System is constructed with:

- 4' x 4' (122 x 122 cm) square decks
- Trusses in 4' (122 cm), 8' (244 cm), and 12' (366 cm) lengths
- Columns are available in the following heights: 36"–54" (91-137 cm), 48"–78" (122-198 cm) and 54"–84" (137-213 cm).

Back and side guard rails should be used with all platform elevations. The Vision guard rail system consists of 4' (122 cm) rail/curb sections that quickly and securely attach to the trusses. The rails are located 30" (76 cm) and 42" (107 cm) above the deck surface.

Adjustable-height stairways are available in the following models:

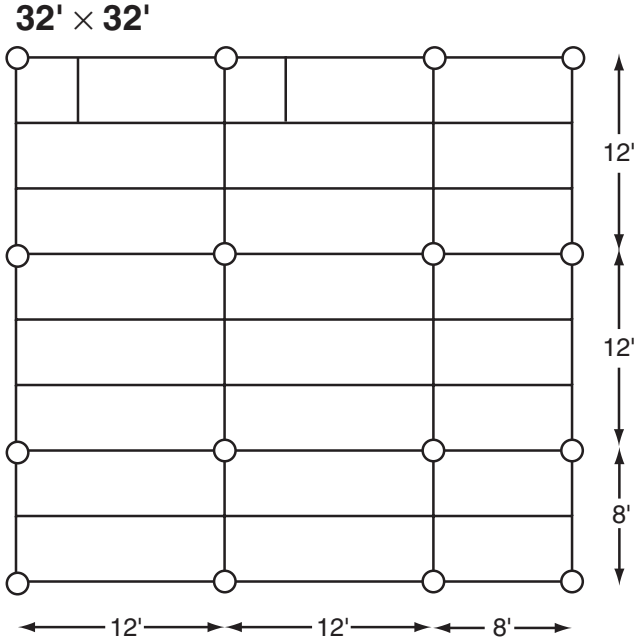
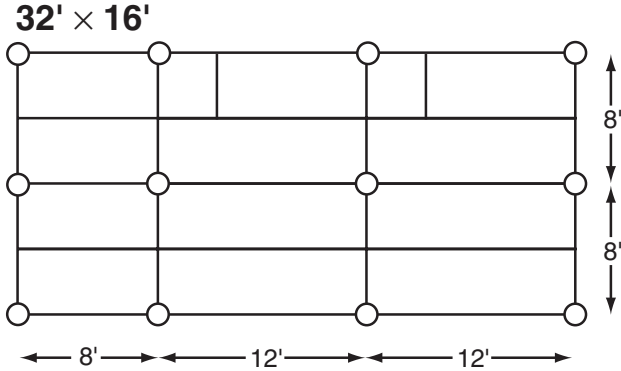
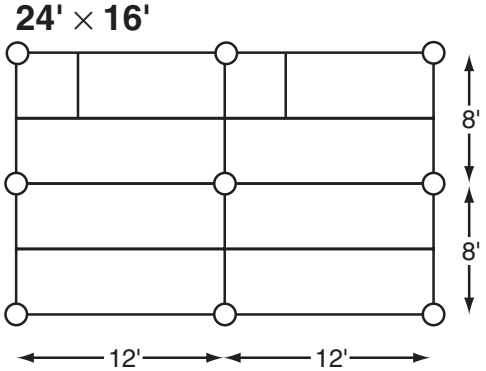
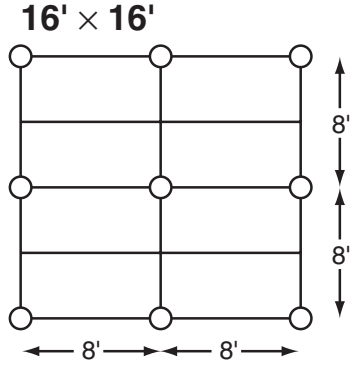
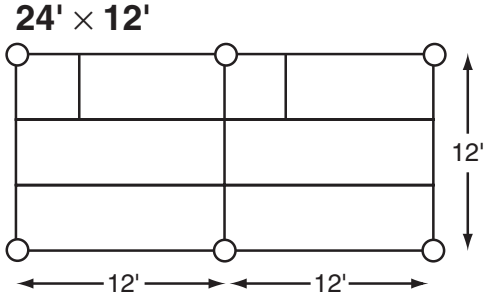
- 4-Step Stairway 16" to 32" (41 to 81 cm)
- 6-Step Stairway 24" to 48" (61 to 122 cm)
- 8-Step Stairway 32" to 64" (81 to 163 cm)
- 9-Step Stairway 36" to 72" (91 to 183 cm).

To give your platform a more formal, finished look, drapery skirting and drapery backdrops are available from Wenger.

Transport/storage carts are available for the decks, trusses, columns, and guard rails.

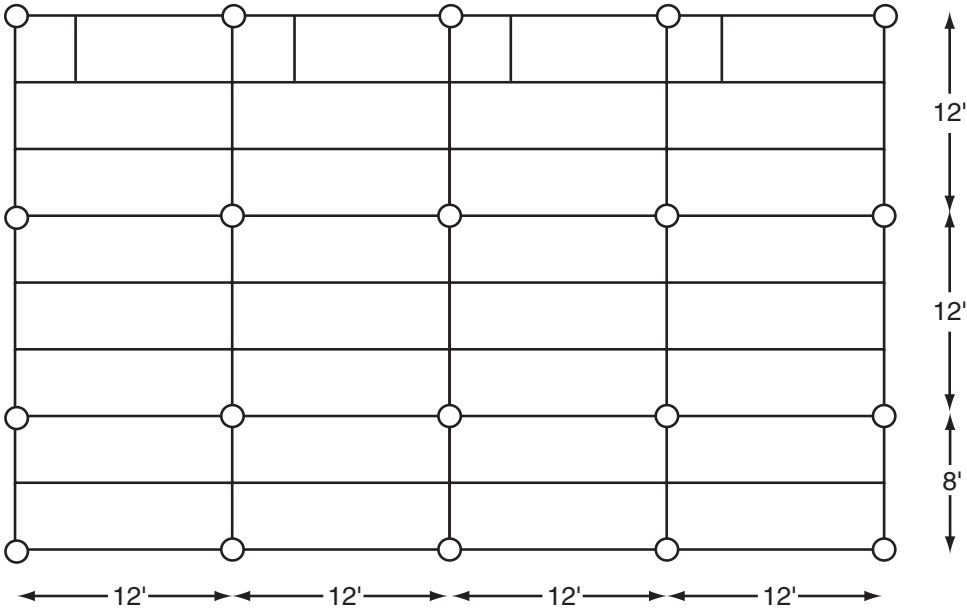
TYPICAL STAGE LAYOUTS

The following diagrams show truss and column placement for typical stages (individual decks are not indicated).

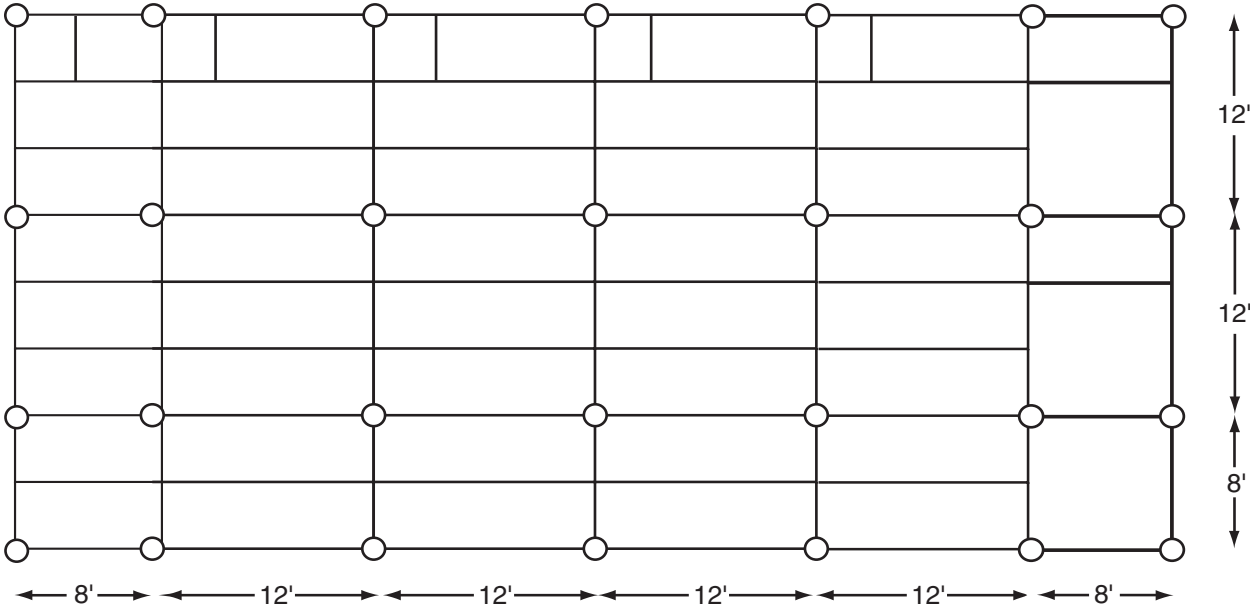


TYPICAL STAGE LAYOUTS (CONTINUED)

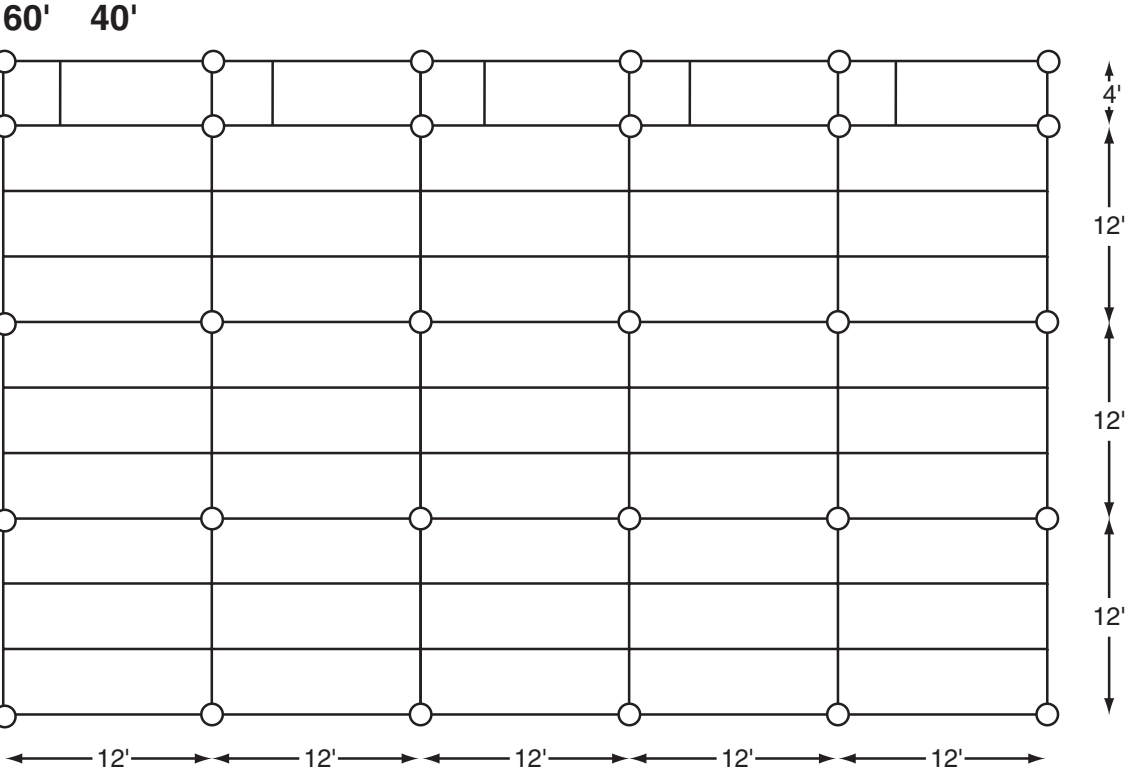
48' x 32'



64' x 32'



TYPICAL STAGE LAYOUTS (CONTINUED)



To SETUP PLATFORMS

NOTE: The following instructions show how to construct a platform using 12' trusses.
The procedure is similar when 4' or 8' trusses are used.

NOTE: If guard rails will be installed on a platform that contains 4' trusses, place the 4' trusses at the rear of the platform (to provide the most rigid possible support for the rails).

NOTE: If guard rails will be installed on a platform that uses 12' trusses along the guardrail locations, place an extra 4' truss at one of the intermediate locations (to provide the most rigid possible support for the rails).

⚠ CAUTION

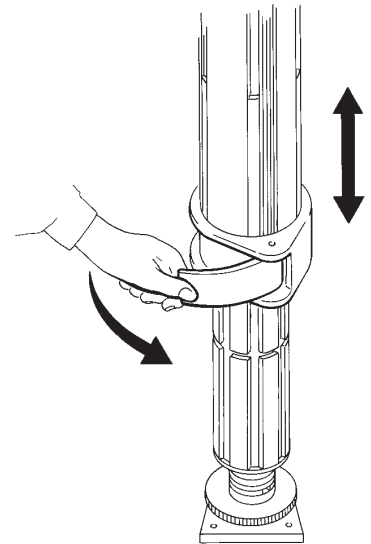
Some setup steps require two people to avoid injury.

TOOLS REQUIRED

- Power screw gun (optional), for fine height adjustment
- Carpenter's level
- Tape measure.

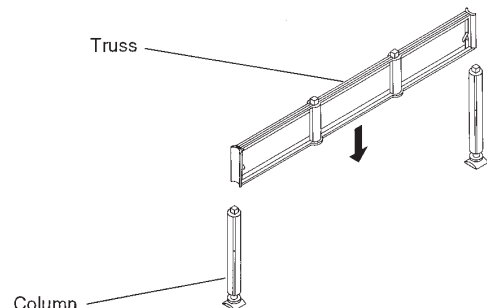
SETUP

1. Plan the stage layout.
2. Move the platform components to the setup area using the storage/transport carts.
3. Remove two columns from their cart. If they have telescoping legs, adjust their gross height as shown.



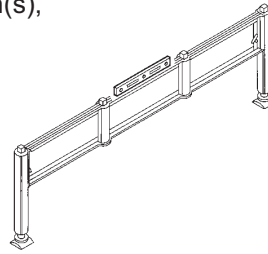
NOTE: You will make final leveling adjustments later.

4. Lower a truss between the first two columns as shown.

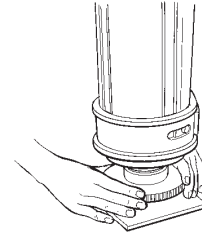


To SETUP PLATFORMS (CONTINUED)

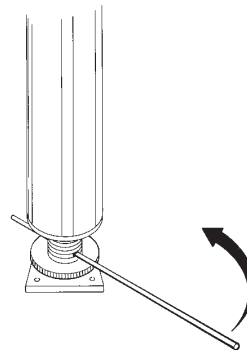
5. Level the truss by adjusting the height of the column(s), using any of the fine adjustment methods shown.



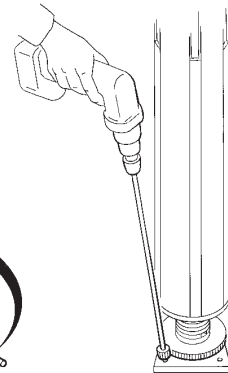
Method A
(by hand)



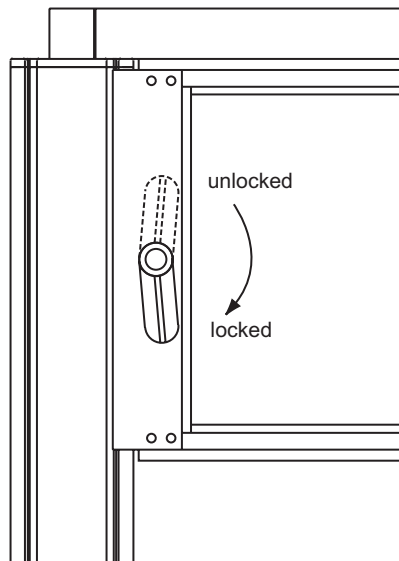
Method B
(using lever)



Method C
(using power driver)

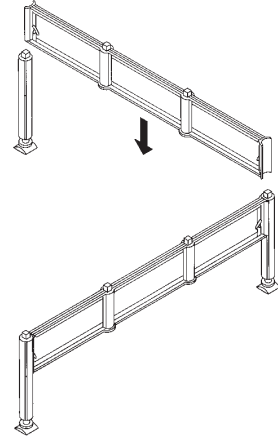


6. Wiggle the columns to ensure that the truss is fully seated, and then lock the truss to both columns.

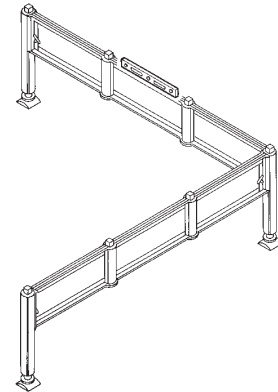


To SETUP PLATFORMS (CONTINUED)

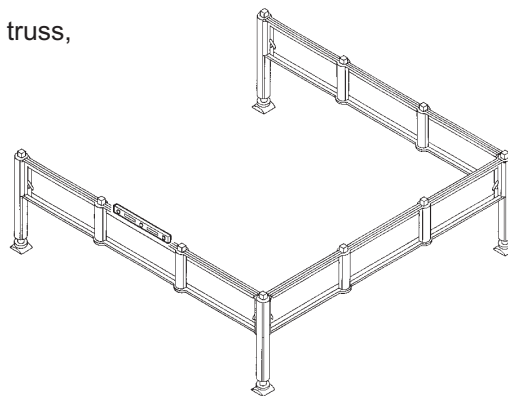
7. Adjust the gross height of a third column, and install a second truss.



8. Level the second truss using one of the fine height adjustments described in step 5.

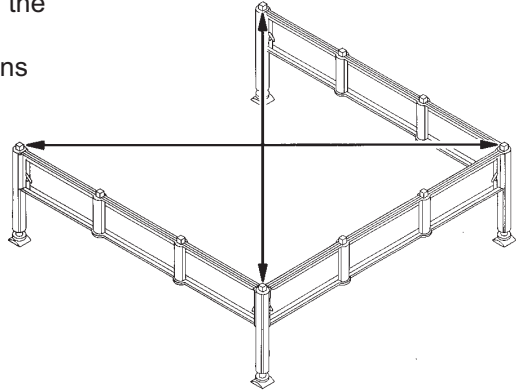


9. Adjust the gross height of a fourth column, install a third truss, and level it in the same way as the previous sections.

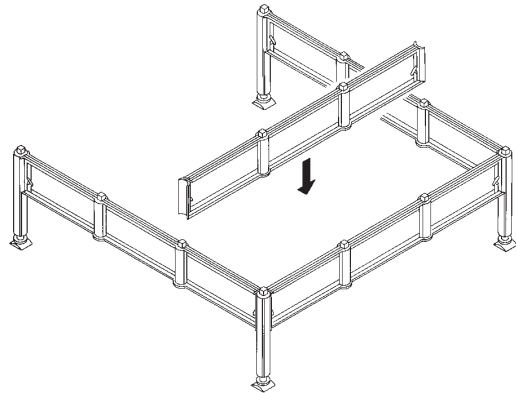


To SETUP PLATFORMS (CONTINUED)

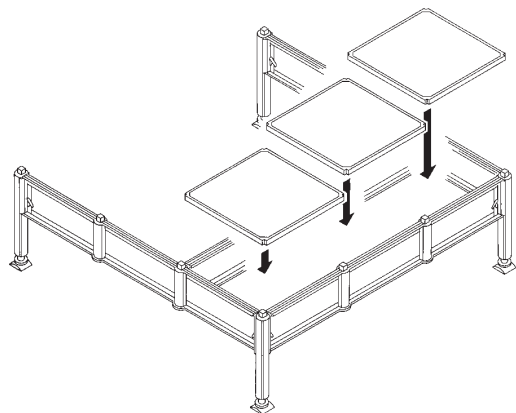
10. To ensure easy and fast placement of decks, check that the sections placed so far are square.
Use a tape measure as shown (if the diagonal dimensions are equal, the sections are square).



11. Install and lock a fourth truss.

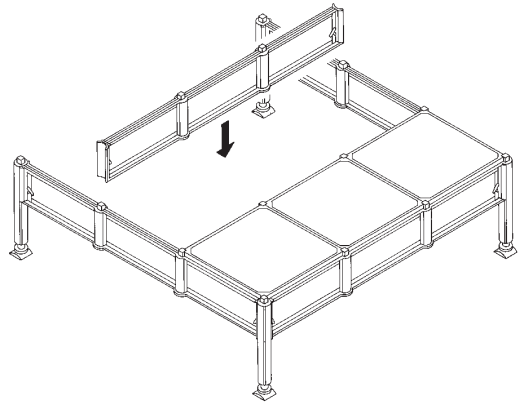


12. Place three decks on the foundation as shown.

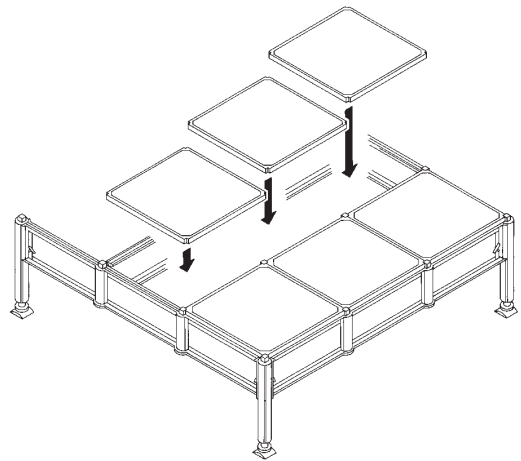


To SETUP PLATFORMS (CONTINUED)

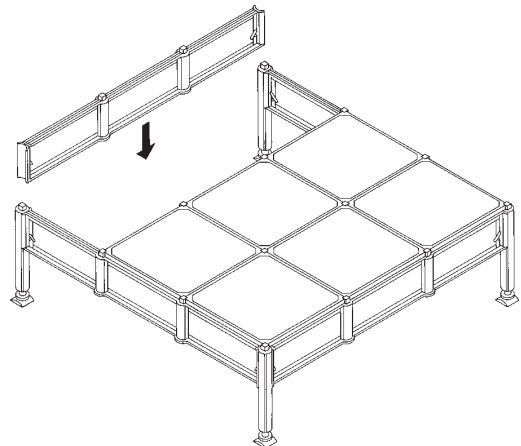
13. Install and lock a fifth truss.



14. Place three more decks on the foundation.

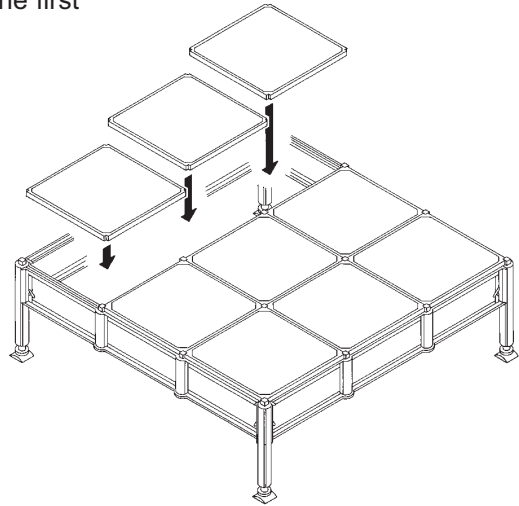


15. Install and lock a sixth truss.



To SETUP PLATFORMS (CONTINUED)

16. Place three more decks on the foundation to complete the first 12' x 12' (366 x366 cm) section.



17. Repeat steps 7 through 16 as necessary to complete the stage.
Additional sections can be attached in any direction from the first section.

To INSTALL BACK AND SIDE RAILS

1. Set a guard rail in the truss channel.

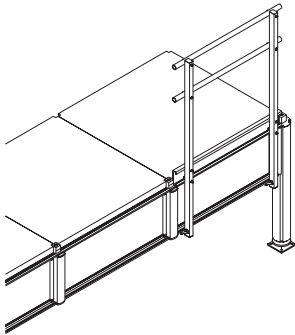
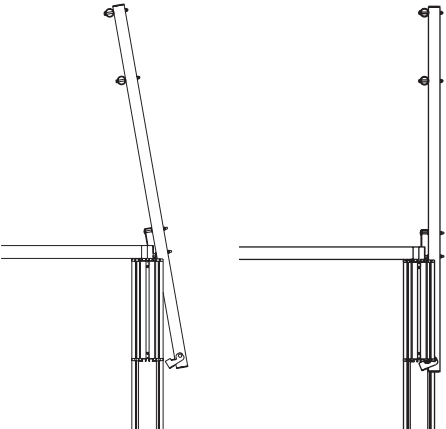
! WARNING
Platforms are unsafe if guard rails are not attached.

2. Pull the top of the rail away from the platform until the latch plate engages into the slot on the bottom of the truss.

! WARNING
Weight or pressure in excess of 250 pounds horizontally or vertically may cause rail to collapse.

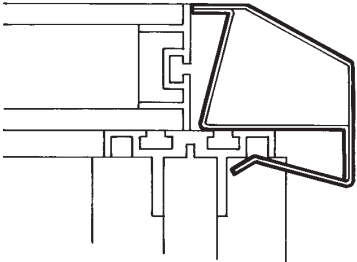
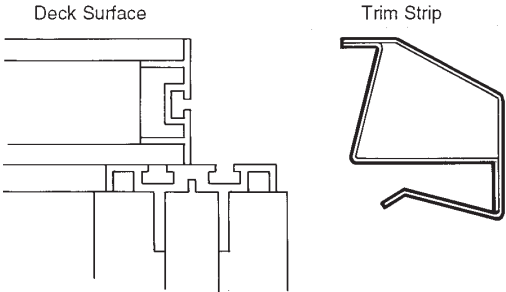
! WARNING
Never use Guard Rails as:

- *As a crowd barrier*
- *As a perch*
- *As a tie-down.*



3. To install the optional Wenger trim strips where rails or stairways won't be used:

- a. Hold a trim strip as shown, so the top of the strip is level with the deck surface.
- b. Press the strip onto the edge of the deck so the flexible clip snaps into the groove under the upper truss channel.



To INSTALL STAIRWAY(S)

⚠ CAUTION

Some setup steps require two people to avoid injury.

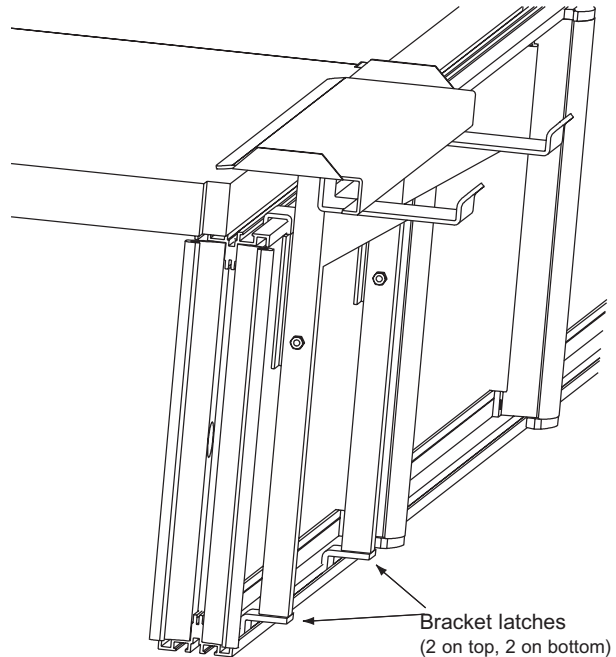
1. Install the stairway attachment bracket.
Slip the attachment bracket onto the truss where the stairway is to be installed.
The bracket latches (hooks) must hook into the grooves of the truss.
Check that the attachment bracket is properly installed by pulling the bracket outward (away from the truss).
If the latches are in place, you will not be able to pull the bracket away from the truss.

⚠ CAUTION

Stairway is unsafe if attachment bracket latches are not engaged.

⚠ CAUTION

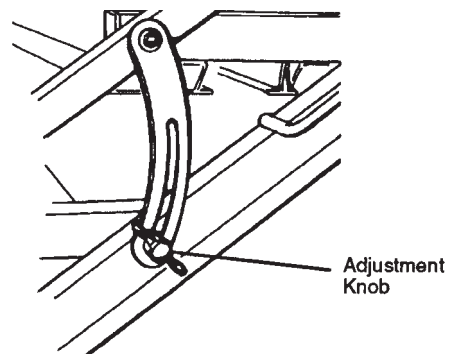
Tighten adjustment knobs to prevent hand injury during installation.



2. Install the stairway onto the attachment bracket.
To prevent hand injury during installation, tighten the adjustment knobs that are along the rails of the stairway.
There are either one or two knobs on each side, depending on the stairway height.

⚠ CAUTION

To prevent hand injury during installation, tighten the adjustment knobs that are along the rails of the stairway.

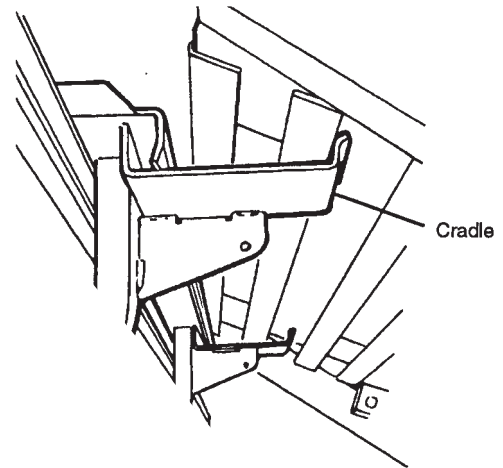


To INSTALL STAIRWAY(S) (CONTINUED)

3. Position the stairway.

NOTE: This step requires two to four people.

Lift the stairway into position, so that the top step rests in the cradle area of the attachment bracket.



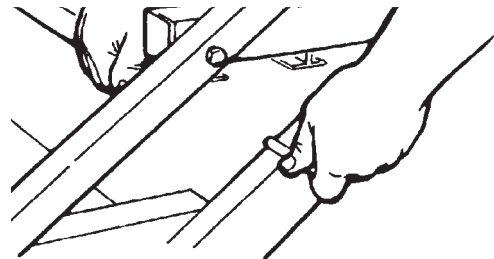
4. Position the steps

NOTE: This step may require two people.

Loosen the adjustment knobs (see step 2), and rotate the steps to their fully horizontal position. You may have to slightly realign the stairway to the deck.

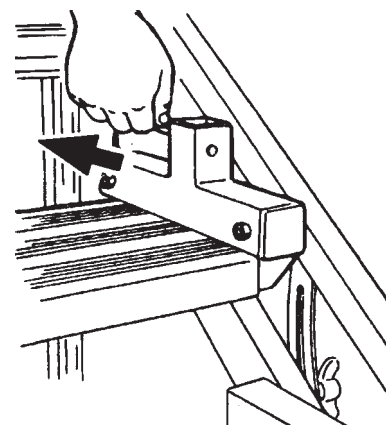
Retighten the adjustment knobs to 50 to 60 in-lbs of torque.

Recheck that the bracket latches (hooks) under the stage deck are still properly engaged. (See Step 1).



5. Install the handrails.

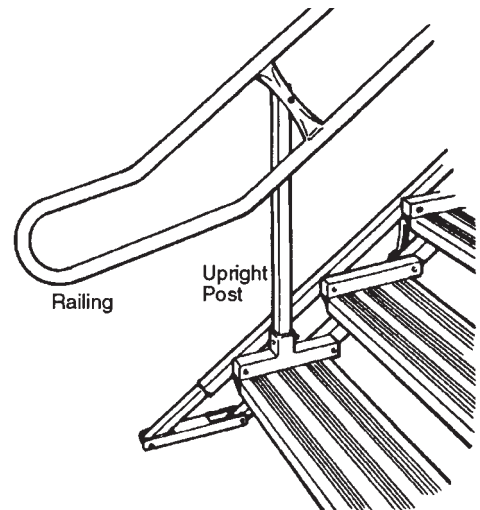
Pull the pins from the handrail post sockets.



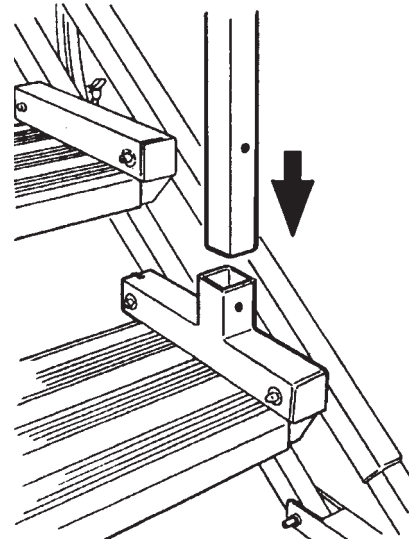
To INSTALL STAIRWAY(S) (CONTINUED)

6. Position the upright posts.

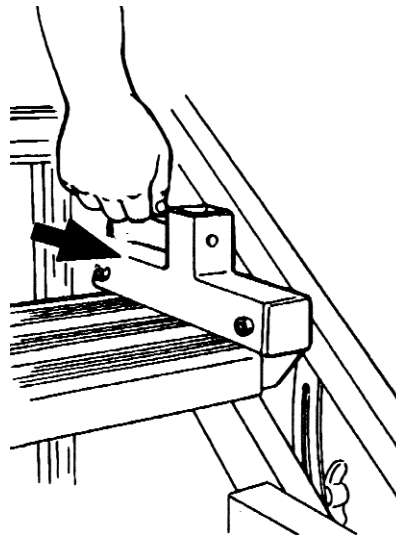
IMPORTANT: In this step, be sure the railing is inside the upright posts, as shown.



Insert the upright posts of the handrails into the sockets.



7. Secure the upright posts
Align the holes in the posts and sockets, and reinsert the pins.



To ATTACH DRAPERY SKIRTING

Optional trim strips can be ordered with hook-and-loop strips along the edge for attaching optional drapery skirting.

Drapery skirting sections have matching hook-and-loop strips.

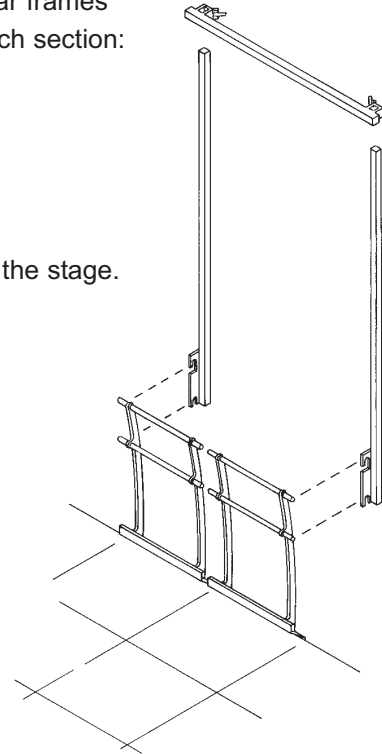
Tuck the top edge of the skirting under the lip of the stage at stairway locations.

To INSTALL BACKDROP(S)

Backdrop drapery sections attach (using hook-and-loop strips) to tubular frames that are mounted on the crossbars of a pair of guard rails. To install each section:

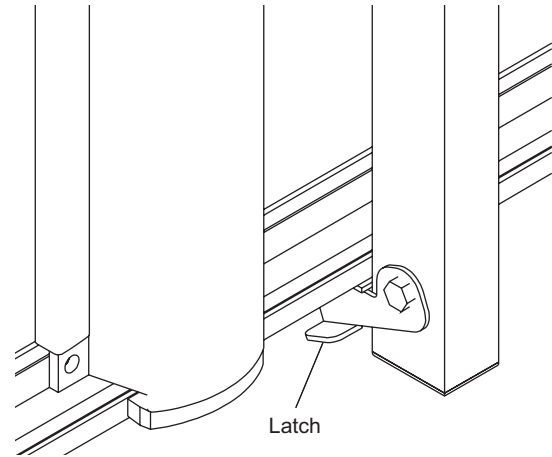
 CAUTION
<i>To avoid injury, use two people to install the backdrop frame.</i>

1. Hold the backdrop crosstube with its hook-and-loop surface facing the stage. Slide the crosstube onto the two upright tubes and lock both ends. Be sure the crosstube is level.
2. Center the backdrop frame on two adjacent guard rail cross bars.
3. Attach the drapery to the crosstube (use a ladder). Butt drapery sections together to prevent any gaps.



To DISASSEMBLE STAGE

1. Remove any backdrops, drapery skirting, back and side guard rails, and stairways, by reversing the assembly procedures.
To release the guard rails, pull down on the latch.
2. Disassemble the platforms in reverse order of their assembly sequence.
If components are to be placed on Wenger Transport/Storage Carts, refer to the instructions in this manual.



To REMOVE THE STAIRWAY

1. Pull the pins and lift the handrails out of the sockets.
2. Loosen the adjustment knobs, rotate the steps into the storage (folded) position, and then retighten the knobs.
Use the handles provided, and keep your hands clear of the space between the step stringers.
3. Lift the stairway up and away from the attachment bracket.
4. Lift the attachment bracket up and away from the truss.

To TRANSPORT AND STORE STAGE COMPONENTS

WARNING

Components can fall from cart and cause injury unless properly loaded.

Position the platform components carefully on their carts for transport and storage.

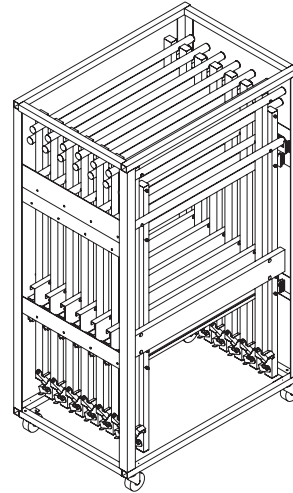
Secure the cart straps promptly, and never move loaded carts unless their straps are properly secured. Be especially careful that trusses are secured.

Refer to the instructions on the following pages for additional information.

To TRANSPORT AND STORE STAGE COMPONENTS (CONTINUED)

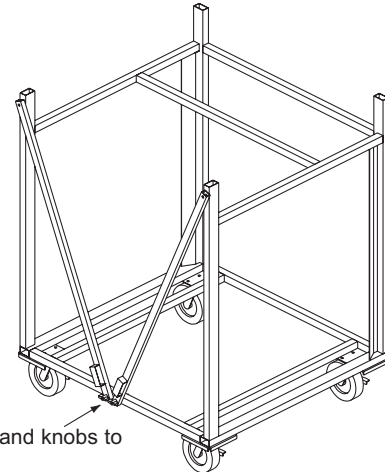
GUARD RAILS

Store the guard rails on the rail cart by suspending their rails on the saddle brackets.



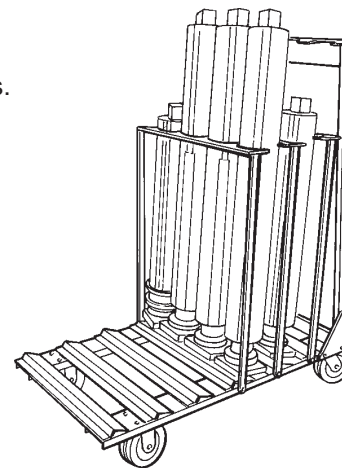
DECKS

1. Loosen the hand knobs at the bottom of the bumper tubes to allow the decks to be placed in the cart.
2. Lay the decks flat on the deck cart snugly against the back of the cart.
3. Lock the bumper tubes back in place by tightening the hand knobs.



COLUMNS

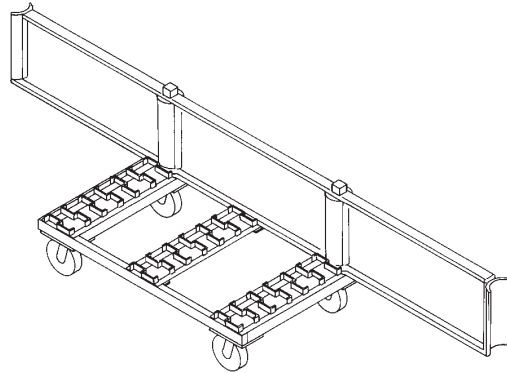
1. Stand a row of columns (feet down) at the backrest end of the column cart, then pivot a spacer frame against the columns. Repeat until the cart is filled.
2. Pull the strap around the columns and through the clamp assembly. Tighten the strap, and lock the clamp handles.



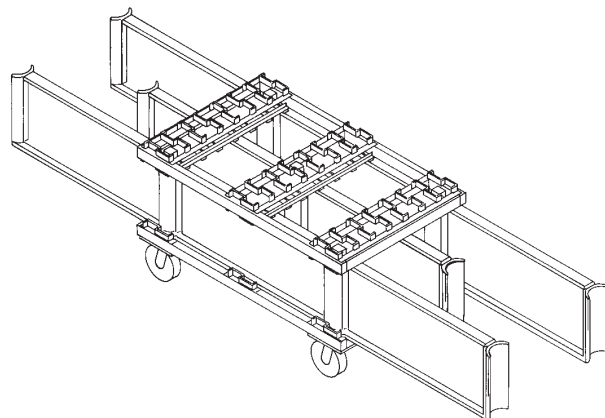
To TRANSPORT AND STORE STAGE COMPONENTS (CONTINUED)

TRUSSES

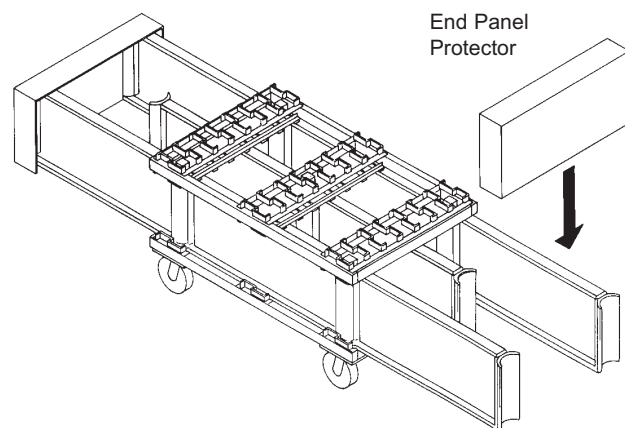
1. Set the base (castered) frame next to the stage.
2. Set trusses on the base so that they fit between the separators.
For greatest stability, keep longer trusses to the outside of the cart and shorter trusses to the inside.



3. When the base is filled, set one of the divider frames on top so its separators are holding the first layer of trusses.



4. Install bumpers on the ends of the first layer of trusses to prevent damage when moving and storing.

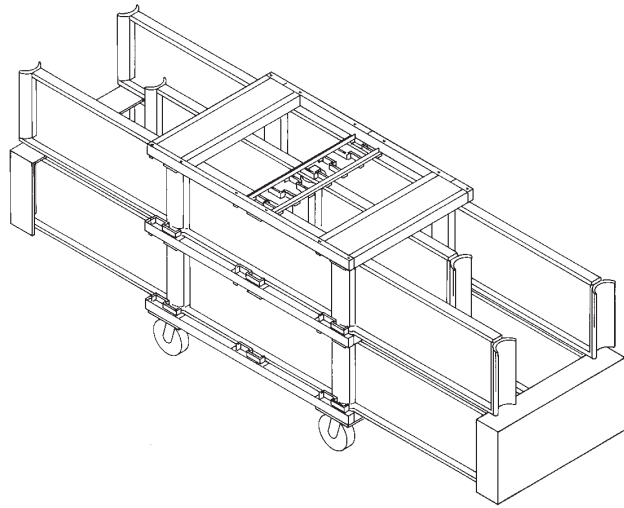


To TRANSPORT AND STORE STAGE COMPONENTS (CONTINUED)

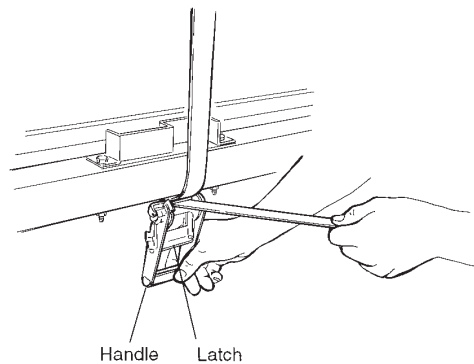
5. Fill the second layer with trusses
(as in steps 2 and 3).

NOTE: A third layer of trusses may be added
by using the other divider frame.

Install the top frame so its separators are
holding the top layer of trusses.



6. Secure the load by tightening the strap:
- Wrap the strap around the stack of trusses,
and pull its free end around the center spindle
of the ratchet.
 - If the ratchet is in its released position, pull out on
the latch and swing the handle out.
 - Pump the handle until the strap is tight.



 WARNING
<i>Trusses can fall unless stacked and secured properly on carts.</i>

MAINTENANCE

DECKS

Keep the deck surfaces clean and dry. When necessary, clean with a damp cloth. No other maintenance is required. Do not use oil-based cleaning products, and do not wax or polish the decks.



To keep deck from becoming slippery, do not wax or polish.

DRAPERY SKIRTING AND BACKDROPS

Drapery sections may be washed or dry cleaned. The drapery sections are attached with hook-and-loop strips, so they can be easily removed for cleaning.

- Machine-wash at 120°F or lower using mild detergent. Remove immediately after the wash cycle is completed.
- Tumble dry at “permanent-press” or lower temperature. Remove and hang immediately to prevent wrinkling. Excessive heat or drying time will detract from the permanent-press characteristics of the fabric.
- Little or no ironing is required.
- When dry cleaning, tumble dry on the lowest heat cycle and remove immediately when dry.

OTHER PREVENTIVE MAINTENANCE

Inspect all bolts on the platform and accessories every six months, and tighten as necessary. Replace any worn, bent, or broken parts promptly to prevent injury.

REPLACEMENT PARTS LIST

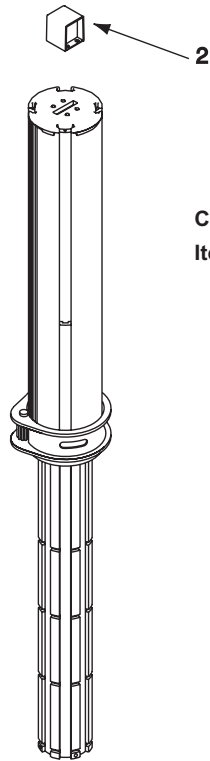
ORDERING REPLACEMENT PARTS

Replacement parts for your Vision™ Platform System can be ordered from Wenger Corporation by:

Phone: USA (800) 887-7145
 International (collect): (507) 455-4100
 Fax: (507) 455-4258
 Website: www.wengercorp.com
 Mail: Wenger Corporation
 555 Park Drive
 P.O. Box 448
 Owatonna, Minnesota
 USA 55060-0448

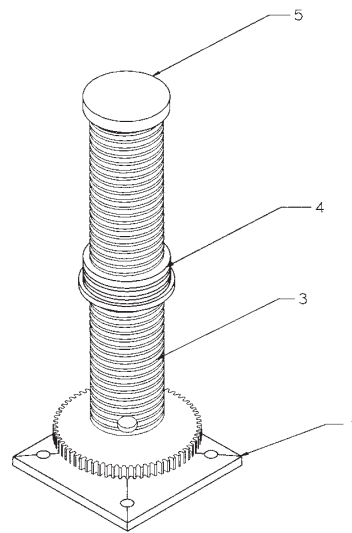
When ordering replacement parts, always indicate the product name and model.

COLUMNS AND LEVELERS



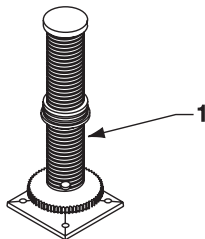
COLUMNS

Item	Qty.	Description
1	1	Leveler Assembly
2	1	Corner Block



LEVELERS

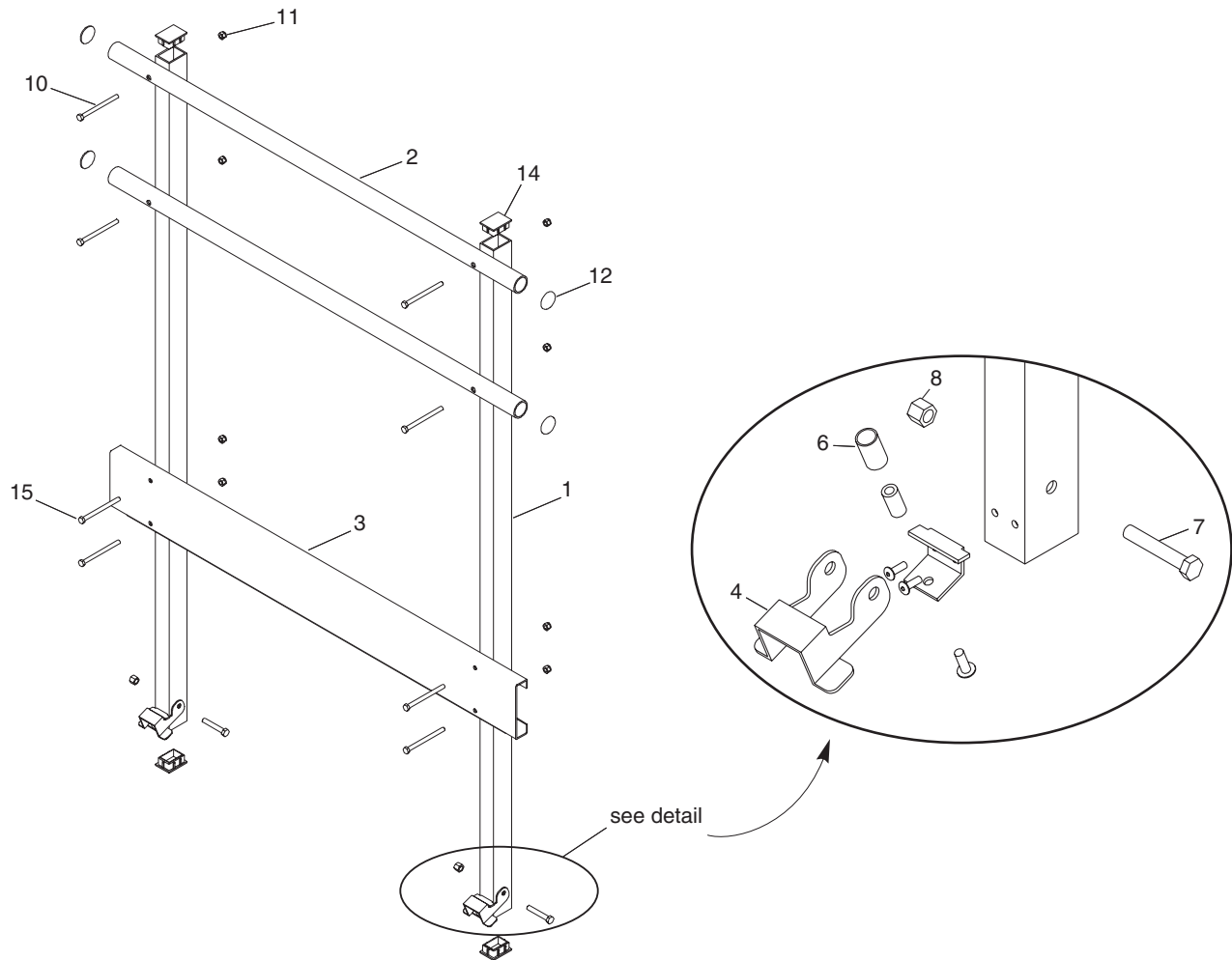
Item	Qty.	Description
1	1	Plate Assembly, Ground
2	1	Bolt, Shoulder
3	1	*
4	1	*
5	1	*



* Order complete Leveler Assembly.

REPLACEMENT PARTS LIST (CONTINUED)

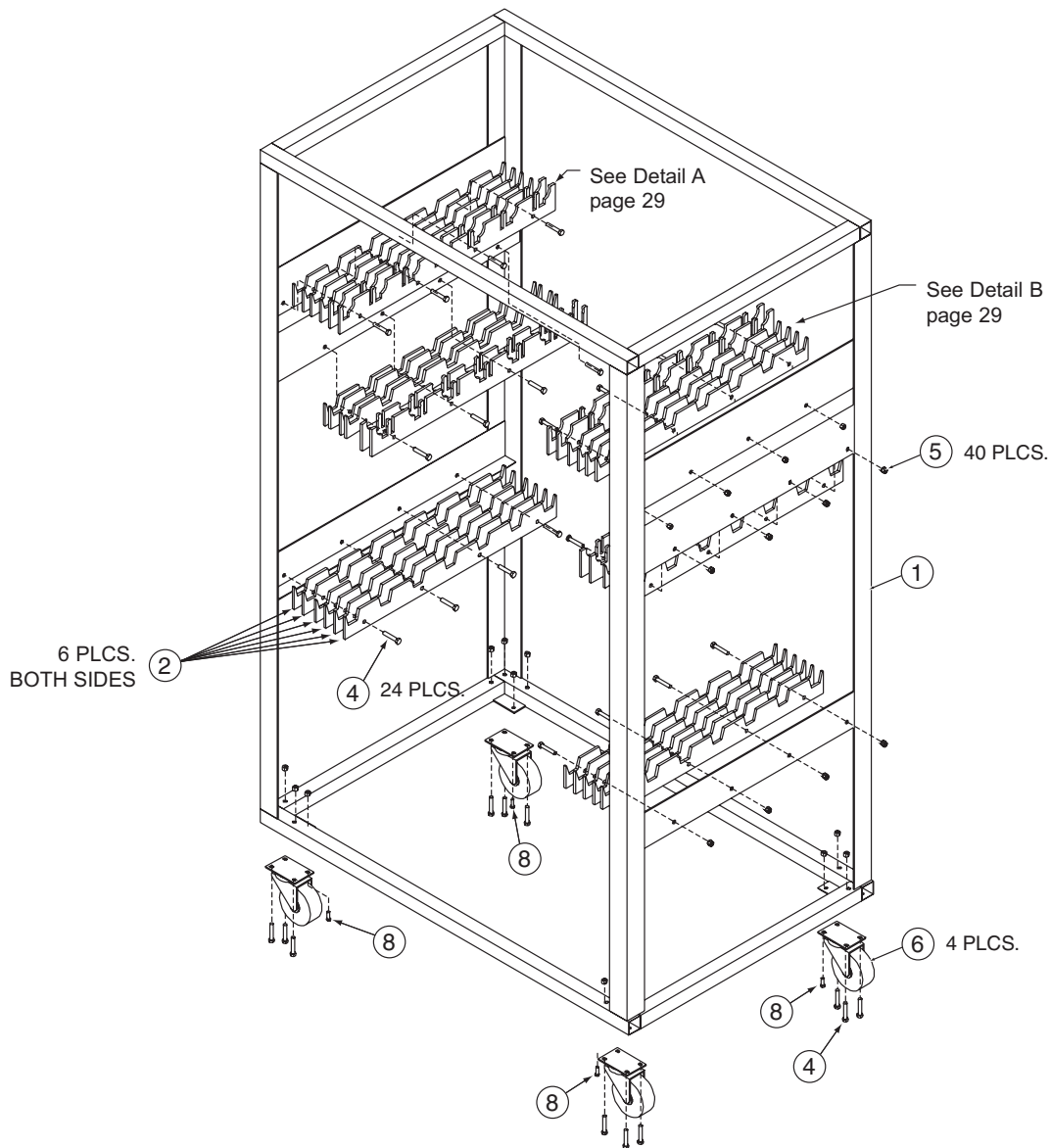
GUARD RAIL



Item	Qty.	Description
1	2	Rail Upright
2	2	Rail Cross Tube
3	1	Rail Curb
4	2	Latch, Striker
6	2	Rail Latch Spring
7	2	Capscrew, 3/8-16 × 2-1/4"
8	2	Lock Nut, 3/8-16
10	4	Capscrew, 5/16-18 × 4"
11	8	Lock Nut, 5/16-18
12	4	Plug, 1-1/2" OD, 1-1/4" ID
14	4	Plug, 1-1/2" × 2" × 10 ga
15	4	Capscrew, 5/16-18 × 3-3/4"

REPLACEMENT PARTS LIST (CONTINUED)

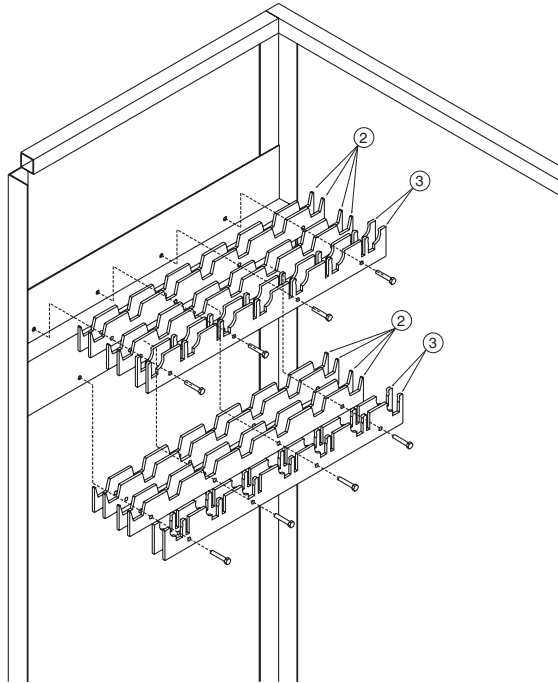
GUARD RAIL TRANSPORT/STORAGE CART



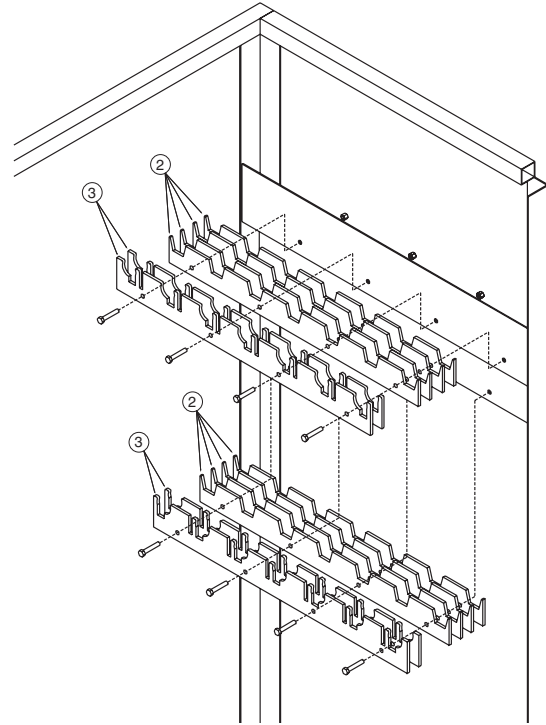
Item	Qty.	Description
1	1	Rail Cart Weldment
2	28	Curb Glide (see also Detail A, B, page 29)
3	8	Rail Guide (see also Detail A, B, page 29)
4	36	Capscrew, 5/16-18 × 2-1/4"
5	40	Lock Nut, 5/16-18
6	4	Caster, Swivel
8	4	Capscrew, 5/16-18 × 3/4"

REPLACEMENT PARTS LIST (CONTINUED)

GUARD RAIL TRANSPORT/STORAGE CART (CONTINUED)



DETAIL A
SCALE: NONE
ORIENTATION FOR ITEMS 2 AND 3

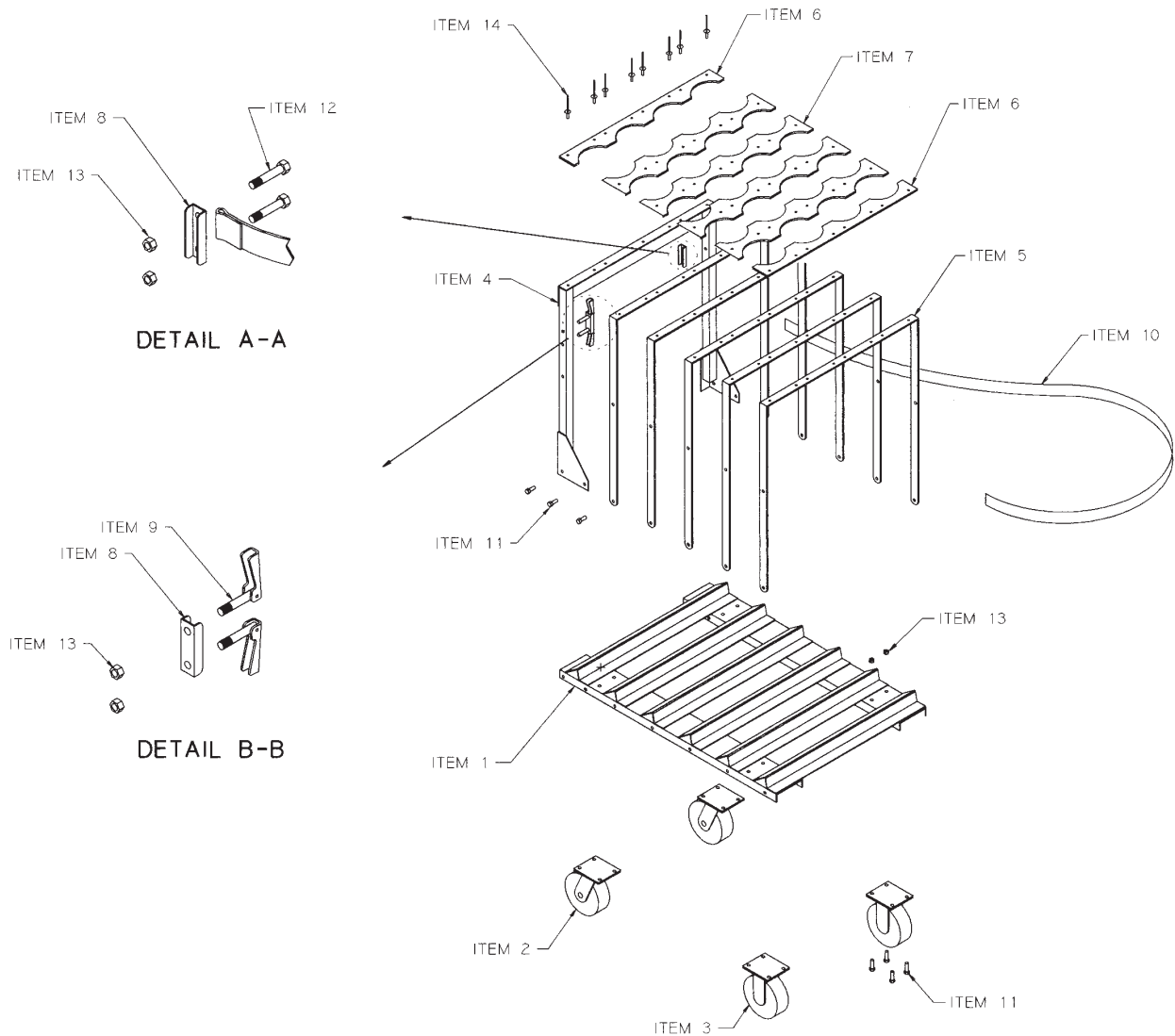


DETAIL B
SCALE: NONE
ORIENTATION FOR ITEMS 2 AND 3

Item	Qty.	Description
2	28	Curb Glide
3	8	Rail Guide

REPLACEMENT PARTS LIST (CONTINUED)

COLUMN TRANSPORT/STORAGE CART

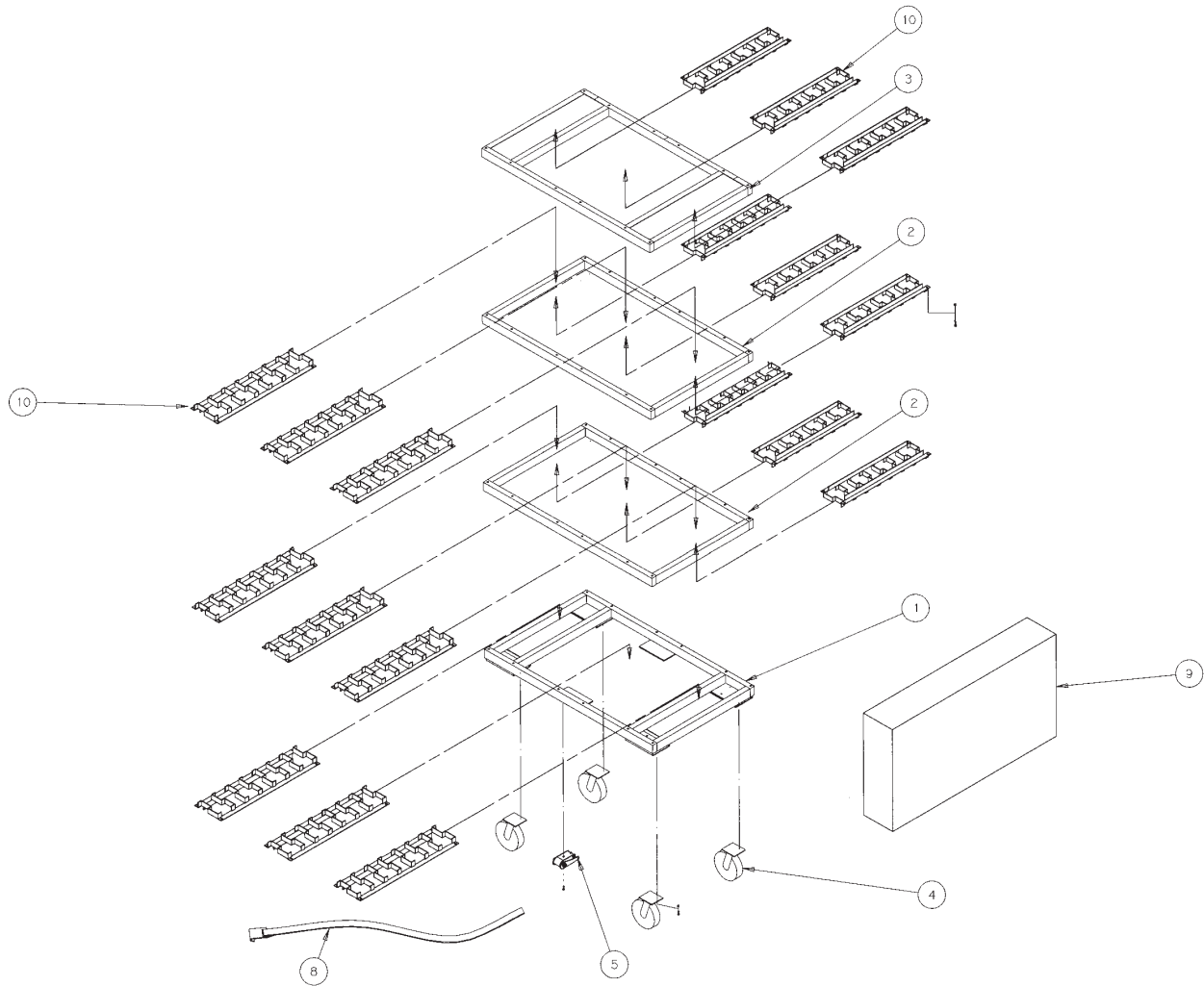


Item	Qty.	Description
1	1	*
2	2	Caster, Swivel
3	2	Caster, Solid
4	1	*
5	5	Carrier, Column Spacer
6	2	Spacer, End Column
7	4	Spacer, Column
8	2	Clamp, Strap
9	2	Handle Assembly, Toggle
10	1	Strap, Column Cart
11	30	Capscrew, 3/8-16 x 1"
12	2	Capscrew, 3/8-16 x 2"
13	34	Nut, Lock Nylon, 3/8-16
14	112	Rivet, Blind, 3/8-1/2"

* Order complete Column Cart.

REPLACEMENT PARTS LIST (CONTINUED)

TRUSS TRANSPORT/STORAGE CART

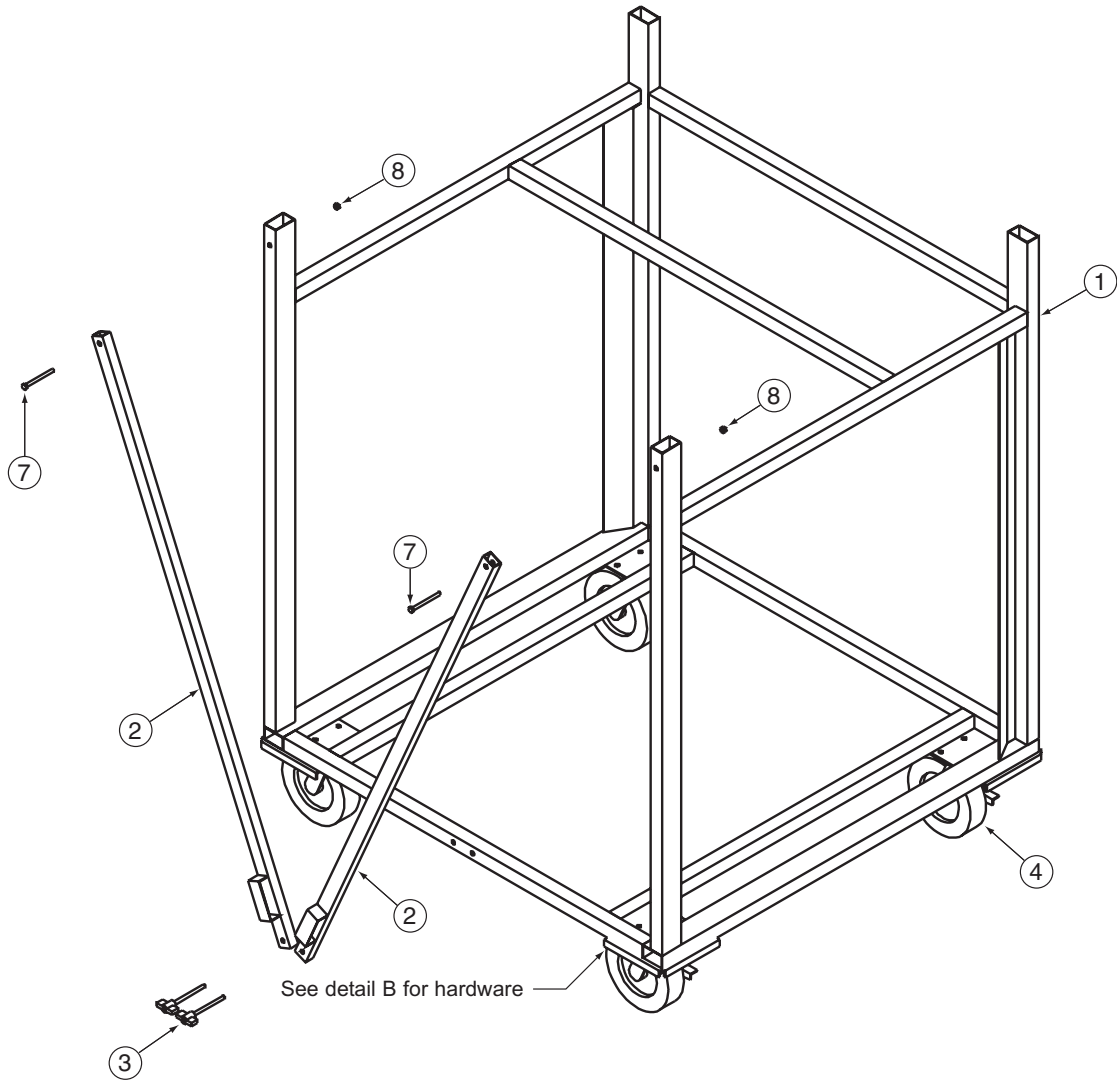


Item	Qty.	Description
1	1	*
2	2	*
3	1	*
4	4	Caster, Swivel
5	1	Ratchet
8	1	Strap, Truss Cart
9	2	Bumper Weldment
10	18	Separator Weldment

* Order complete Truss Cart.

REPLACEMENT PARTS LIST (CONTINUED)

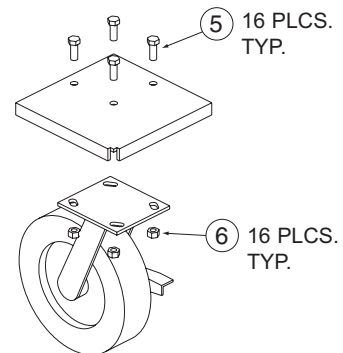
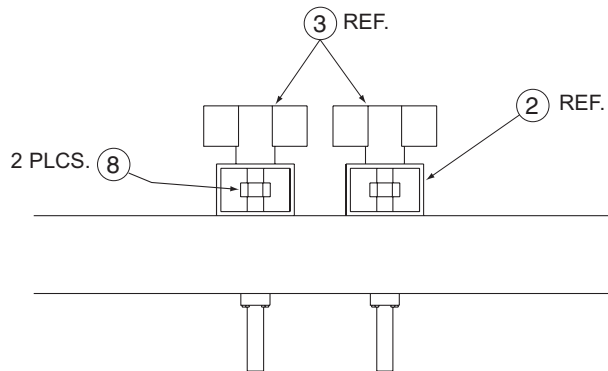
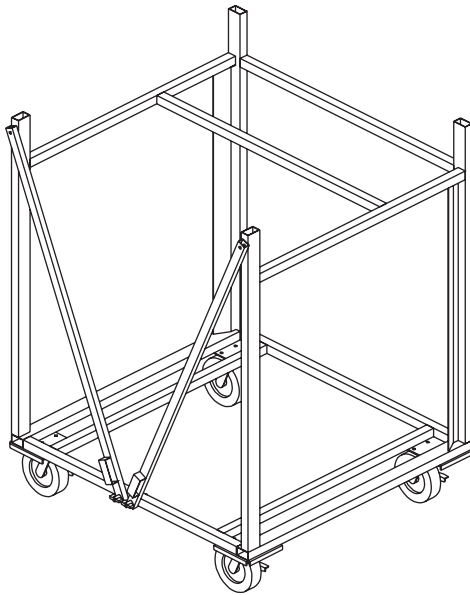
DECK TRANSPORT/STORAGE CART



Item	Qty.	Description
1	1	Deck Cart Weldment
2	2	Tube/Bumper Weldment
3	2	Knob
4	4	Caster, Swivel
5	16	Capscrew, 3/8-16 × 1"
6	16	Lock Nut, 3/8-16
7	2	Capscrew, 5/16-18 × 4"
8	4	Lock Nut, 5/16-18

REPLACEMENT PARTS LIST (CONTINUED)

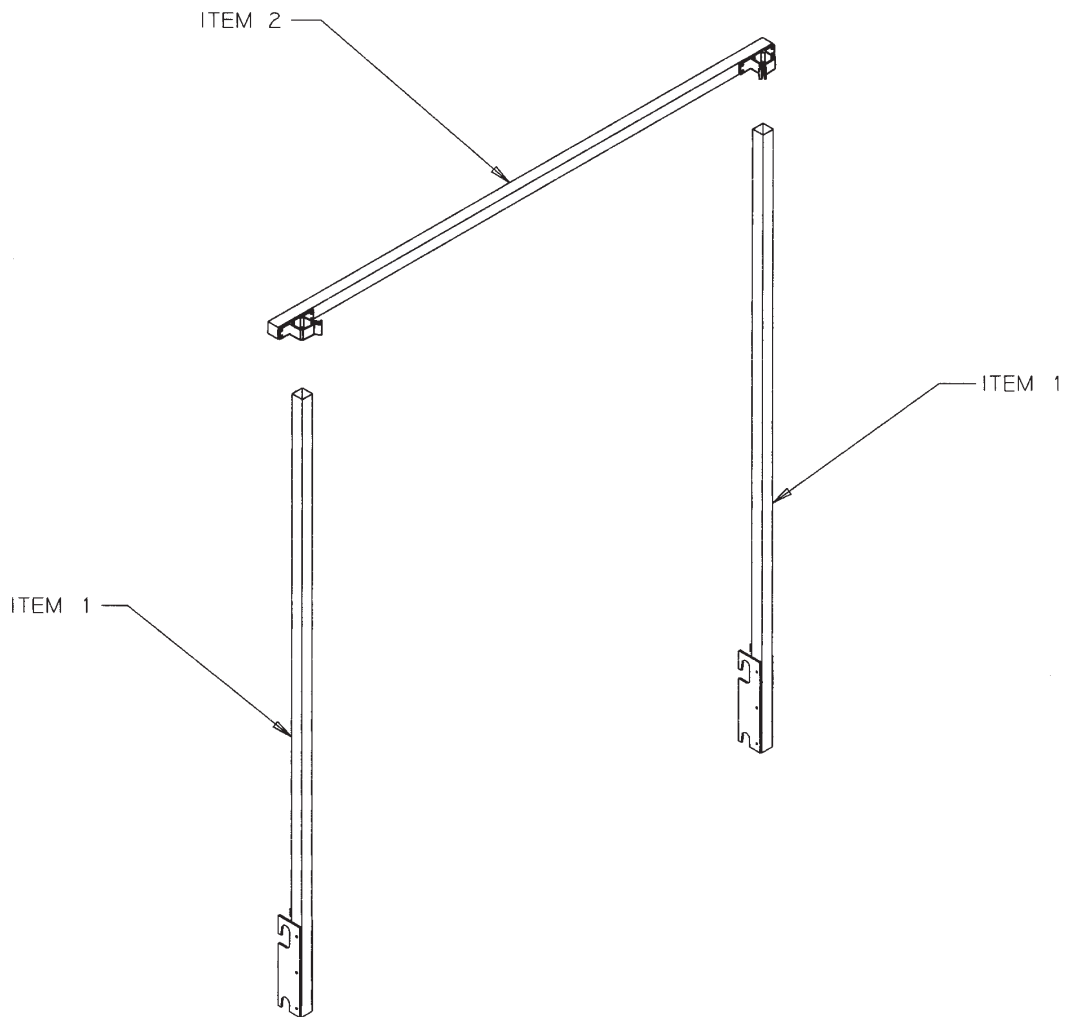
DECK TRANSPORT/STORAGE CART (CONTINUED)



Item	Qty.	Description
1	1	Deck Cart Weldment
2	2	Tube/Bumper Weldment
3	2	Knob
4	4	Caster, Swivel
5	16	Capscrew, 3/8-16 × 1"
6	16	Lock Nut, 3/8-16
7	2	Capscrew, 5/16-18 × 4"
8	4	Lock Nut, 5/16-18

REPLACEMENT PARTS LIST (CONTINUED)

BACKDROP FRAMES

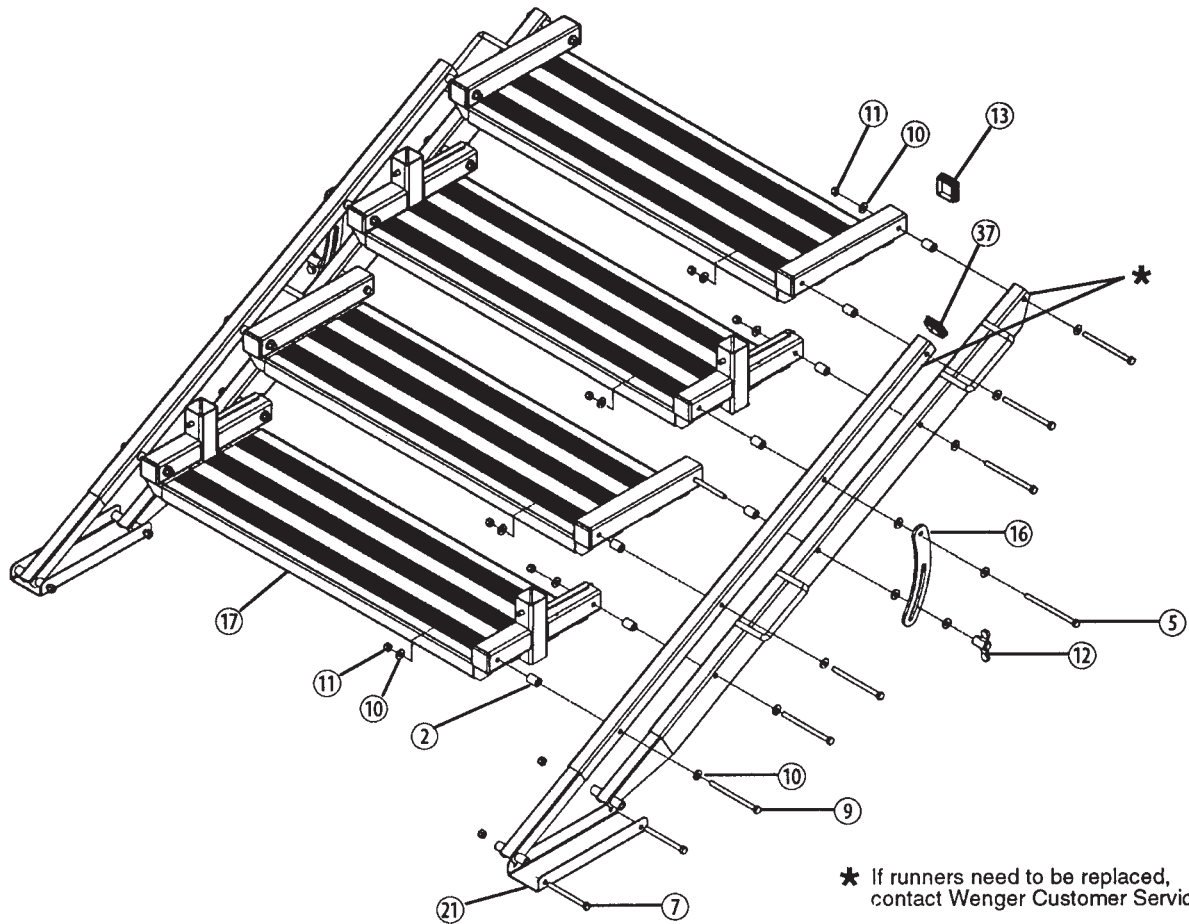


Item	Qty.	Description
1	2	Upright Assembly, 12'
2	1	Crosstube Assembly, 8'

To order additional or replacement backdrop drapery, contact Wenger Corporation (see "Ordering Replacement Parts" on page 26).

REPLACEMENT PARTS LIST (CONTINUED)

STAIRWAY



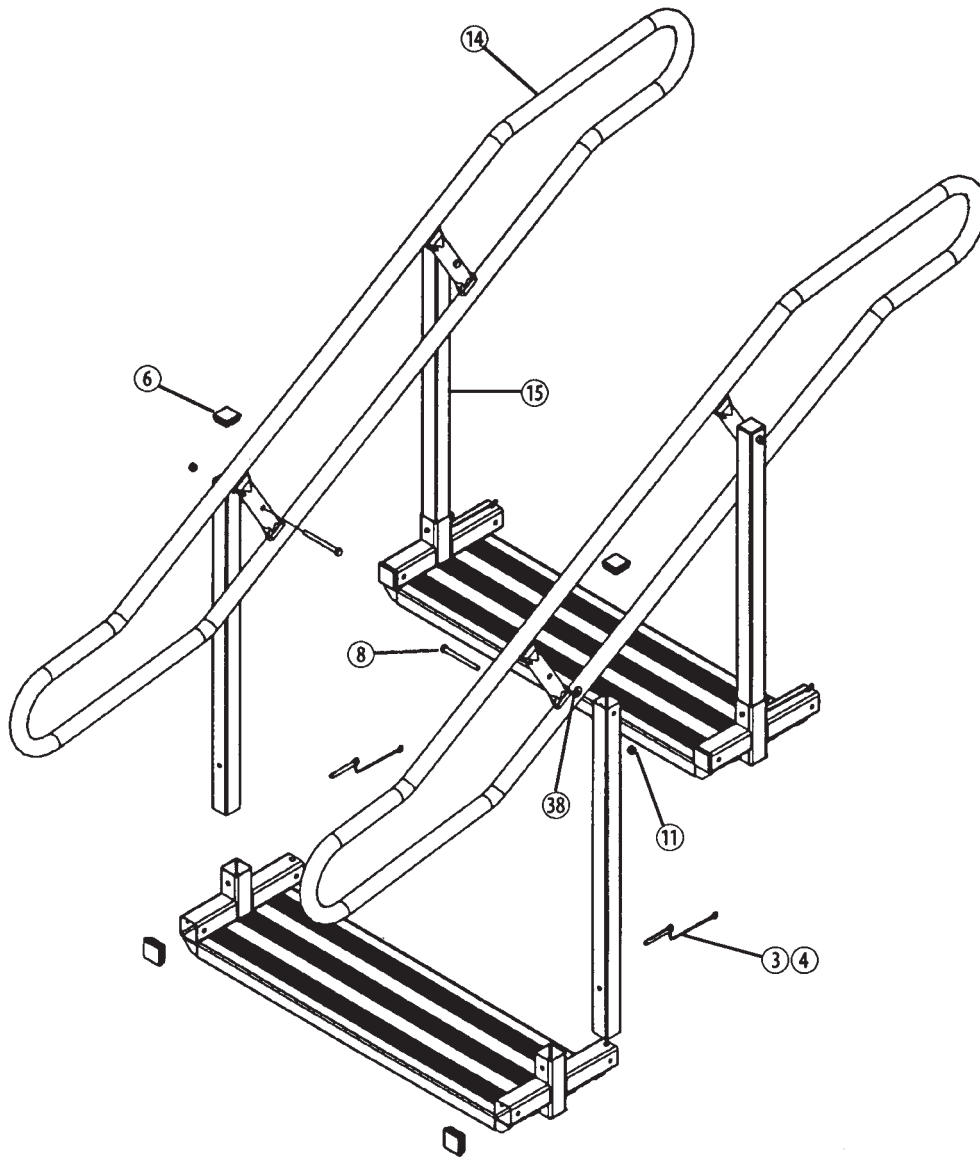
* If runners need to be replaced, contact Wenger Customer Service.

Item	Qty.	Description
2	24	Spacer, nylon
5	2	Capscrew, 3/8-16 x 5-1/2"
7	4	Capscrew, 3/8-16 x 4-1/4"
9	12	Capscrew, 3/8-16 x 5-1/4"
10	34	Washer, flat, 3/8" x 1-1/4"
11	22	Nut, lock, 3/8-16
12	2	Knob, T-handle
13	10	Plug, 2" square
16	2	Brace, adjustment
17	4	Step assembly
21	2	Shoe, stairway base
37	2	Plug, 1-1/2" square

Quantities indicated are for a 4-Step Stairway. Most quantities are greater on other models.

REPLACEMENT PARTS LIST (CONTINUED)

STAIR HANDRAIL ASSEMBLY



Item	Qty.	Description
3	4	Pin, quick-release, 3/8 x 2"
4	4	Chain, 6"
6	4	Plug, 1-3/4" square
8	4	Capscrew, 3/8-16 x 4"
11	22	Nut, lock, 3/8-16
14	2	Handrail weldment
15	4	Tube, railing post
38	4	Washer, nylon spacer

Quantities indicated are for a 4-Step Stairway. Most quantities are greater on other models.