

# Flex<sup>®</sup> Conductor's System Components



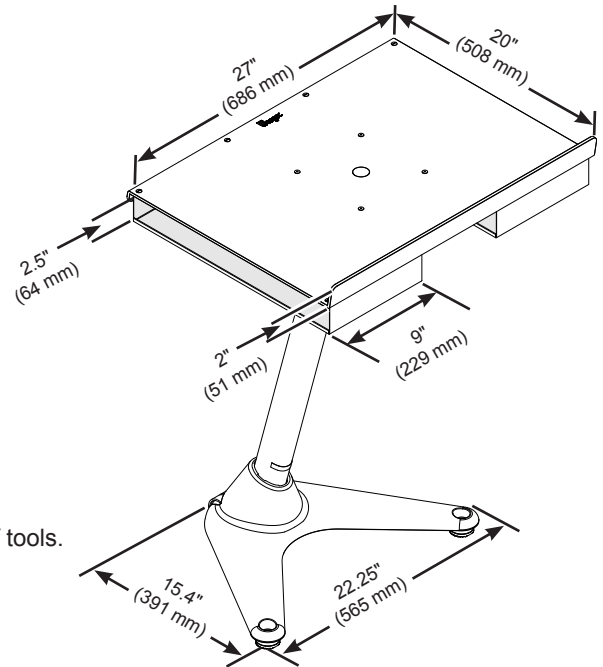
Your Performance Partner

An ergonomically designed, customizable system that allows the conductor to create a personal workspace perfect for his or her own needs. Easily adjust heights, angles, positions and more for a back-saving workspace. Components can work together or independently. Mix and match from the following components.

Environmental attributes and LEED compliance for these products can be found at [www.wengercorp.com/GREEN](http://www.wengercorp.com/GREEN) or by contacting your Wenger representative.

## Flex Conductor's Stand

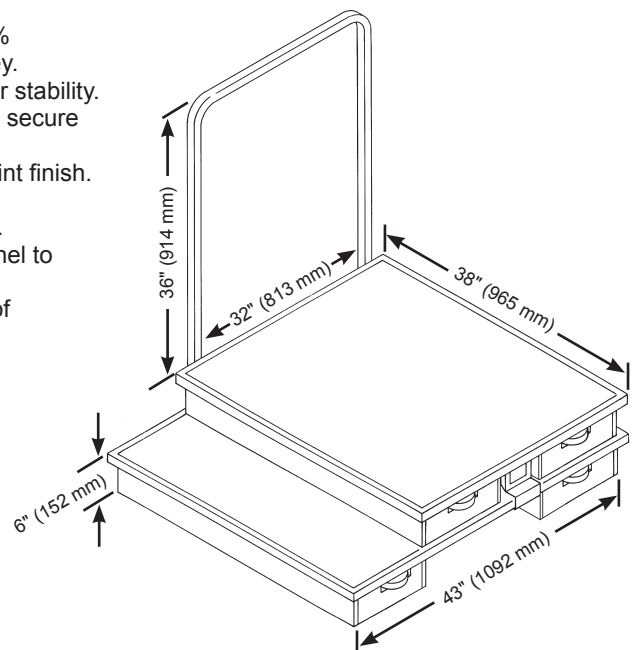
- Polycarbonate Desk 236C002 39 lbs. (17.7 kg).
- High-Pressure Laminate Desk 236C011 41 lbs. (18.4 kg).
- Provides additional storage space and will accommodate scores up to 10-1/2" x 19-1/2" (267 x 495 mm).
- Optional Storage Baskets 236C006 3.6 lbs. (1.6 kg). Set of two 9" x 20" (229 x 508 mm) 22-gauge perforated steel baskets. Mounts to desk with hardware provided.
- Desk is 20"x 27" (508 x 686 mm).
- Dual lock feature on desk allows desk to rotate so desk lip can be oriented toward or away from the user
- Desk lip is 2" (51 mm) high.
- Desk height is adjustable in 2" (51 mm) increments by means of a trigger release lever located under the desk.
- Height adjustment range from 36" – 52.5" (914 – 1334 mm) with the desk in the horizontal position.
- Desk tilts from flat to vertical.
- Extruded Aluminum uprights are at a 75° angle.
- Cast iron base with wheels for easy transport.
- Optional Storage Baskets snap into place under the desk without the use of tools.
- Five-year warranty.



Flex Conductor's Stand

## Conductor's Podium

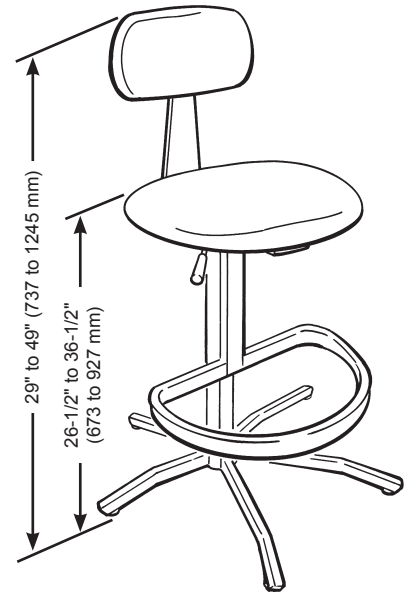
- Double: 1110302 101 lbs. (45 kg).  
Base: 158E002 61 lbs. (28 kg).  
Upper: 158E001 42 lbs. (19 kg).
- Podium tops are constructed of 5/8" (16 mm) plywood covered with 100% olefin carpet, and secured by heavy-duty steel edging. Carpet color: Grey.
- Each podium has eight black thermoplastic rubber pads on the bottom for stability.
- Upper podium has an attached swing away vinyl coated locking clamp to secure it to the base podium.
- Base is constructed of 14-gauge (2 mm) steel with black powder-coat paint finish.
- Edging is 16-gauge (1.5 mm) steel; color: Grey.
- Front panel is designed to allow conductor's stand to slide under podium.
- Each podium has two 4" (102 mm) rubber casters recessed into front panel to move easily from room to room.
- Upper podium has 36" (914 mm) high detachable guardrail constructed of 16-gauge (1.5 mm) steel.  
Finish: Black powder-coat paint.
- Overall dimensions:  
Base podium: 43" wide x 38" deep x 6" high (1092 x 965 x 152 mm).  
Upper podium; 32" wide x 38" deep x 6" high (2057 x 965 x 152 mm).
- Five-year warranty.



Conductor's Podium

### Conductor's Chair

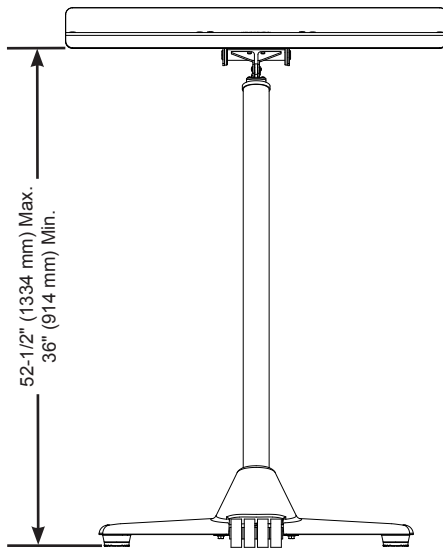
- 157D091 30 lbs. (14 kg).
- Chair frame and upright post assembly are constructed of 14-gauge steel with black powder-coat paint finish.
- Seat and back are covered with polypropylene fabric over 2" (51 mm) foam padding. Available in six colors: Black, Green, Blue, Plum, Red, Grey,
- Seat height adjusts with pressurized gas cylinder in heights from 26-1/2" to 36-1/2" (673 to 927 mm).
- Seat has 170° swivel with locking feature.
- Seat has three pre-determined depth settings for conductor, string bass, or percussion use.
- 14-gauge (2 mm) steel foot rest is fixed to chair frame and the height adjusts with the seat.
- Five 14-gauge (2 mm) steel legs designed to slide under 6" (152 mm) podium.
- Overall footprint: 28" (711 mm).
- Overall height: 29" to 49" (737 to 1245 mm).
- UL GREENGUARD Certified - Product certified for low chemical emissions: [ul.com/gg](http://ul.com/gg) - UL 2818.
- Five-year warranty.



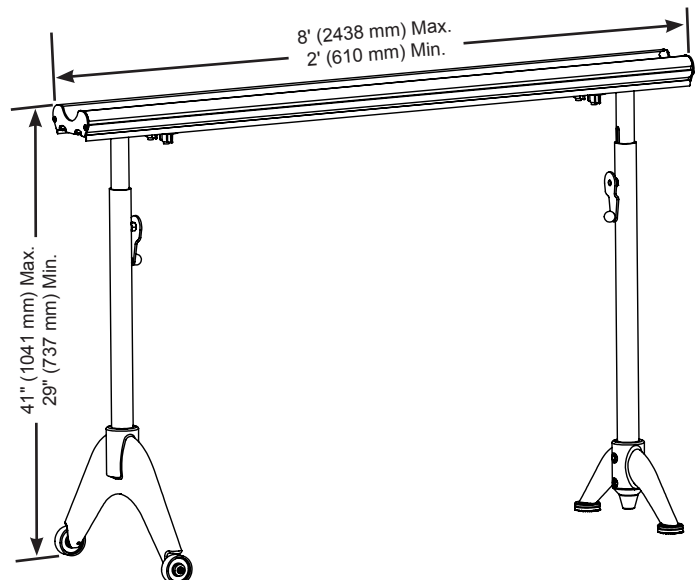
Conductor's Chair

### Flex TechBridge

- 236A003 38.4 lbs. (17.4 kg) (reference 4' length).
- Extruded Aluminum channels are available in any length from 2' – 8' (610 mm – 2438 mm) for the perfect fit.
- Cast iron footings for stability.
- Wheels on one end for easy transport and repositioning.
- Orientation feature on other end for connection to the Conductor's Stand.
- Infinitely height adjustable between 29" and 41" (737 and 1041 mm) by means of a threaded rod.
- Holds up to 250 lbs. (113 kg).
- Center of channels provide for cable and wire routing.
- Velcro tie straps included for routing of cables and wires down each leg when required.
- Five-year warranty.



Flex Conductor's Stand



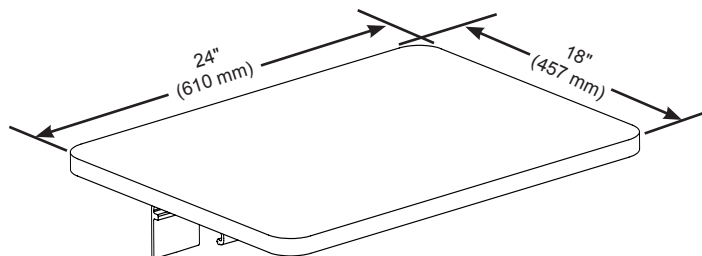
Flex TechBridge

## TechBridge Accessories

Accessories easily attach to TechBridge without the use of tools by means of Bridge Clips made of durable injection molded ABS.

### Work Surface Mount

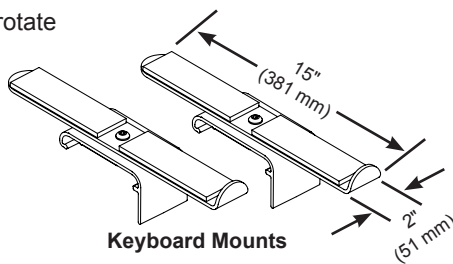
- 236A004 9.5 lbs. (4.3 kg).
- Laminated 18" x 24" (457 x 610 mm) in graphite finish with black edge banding securely attaches to TechBridge by means of two bridge clips.
- Perfect for iPods, mixers, speakers, etc.



Work Surface Mount

### Keyboard Mount

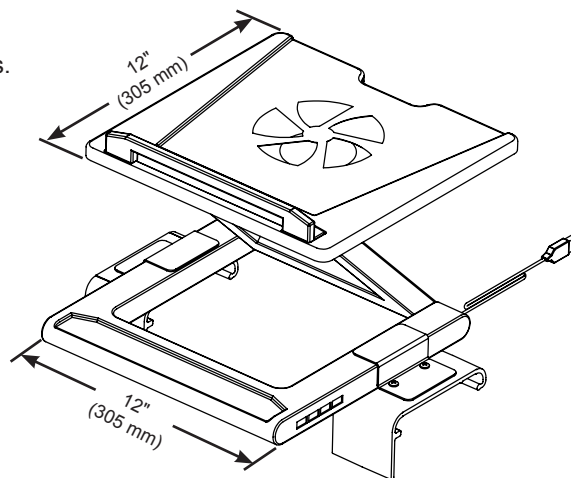
- 236A005 4 lbs. (1.8 kg) per set of 2.
- Set of two 15" x 2" (381 x 51 mm) bars with non-slip pads rotate to position keyboard and provide maximum workspace.



Keyboard Mounts

### Laptop Mount

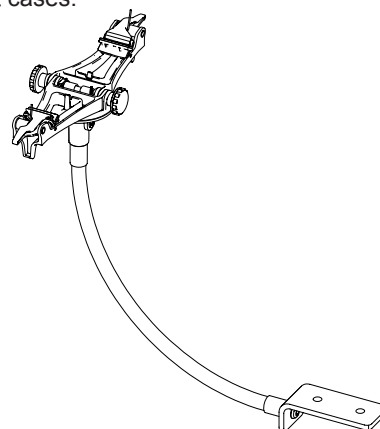
- 236A008 4.7 lbs. (2.1 kg)
- Z-lift with support shelf supports the weight of the heaviest notebooks.
- Elevates and angles for best viewing.
- Fold flat for convenient storage.
- Support shelf extends outward for thicker notebooks.
- USB 2.04-Port connectivity.
- Non-slip pads for dependable positioning without interference.
- Securely attaches to the TechBridge by means of two bridge clips and brackets.



Laptop Mount

### Universal Tablet Mount

- 236A013 2.5 lbs. (1.1 kg)
- Accommodates Smart Phones and Tablets 5" to 13.3" (127 to 338 mm) with or without cases.
- Vinyl-covered segmented steel flex arm for perfect positioning.
- Secures to the underside of the TechBridge using carriage bolts and wing nuts.



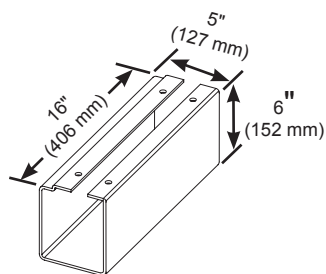
Universal Tablet Mount

TechBridge Accessories continued on the following page.

## TechBridge Accessories (continued)

### Power Strip Shelf

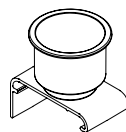
- 236A010 1.4 lbs. (0.63 kg).
- Formed ABS plastic Shelf holds standard power strip.
- Secures to the underside of the TechBridge using carriage bolts and wing nuts.



Power Strip Shelf

### Cupholder

- 236A007 0.5 lbs. (0.23 kg).
- 3-1/2" (89 mm) diameter holding area.
- Convenient place for a water bottle, pencils or other small items.



Cupholder

### Bridge Clips

- 236A007 0.5 lbs. (0.23 kg).
- Set of two injection molded ABS clamps for mounting other items on the TechBridge.



Bridge Clips

Wenger®

JRCLANCY

GEARBOSS®

© 2017 Wenger Corporation  
USA/2017-12/W



WENGER CORPORATION

Phone 800.4WENGER (493-6437) Worldwide +1.507.455.4100 | Fax 507.455.4258 Worldwide +1.507.774.8576  
Parts & Service 800.887.7145 | Canada Office 800.268.0148 | Web [wengercorp.com](http://wengercorp.com) | 555 Park Drive, PO Box 448 | Owatonna | MN 55060-0448

JR CLANCY

Phone 800.836.1885 Worldwide +1.315.451.3440 | Fax 877.836.1885 Worldwide +1.315.451.1766 | Web [jrclancy.com](http://jrclancy.com)  
7041 Interstate Island Road | Syracuse | NY 13209-9713

GEARBOSS

Phone 800.493.6437 | email [gearboss@wengercorp.com](mailto:gearboss@wengercorp.com) | Web [gearboss.com](http://gearboss.com) | 555 Park Drive, PO Box 448 | Owatonna | MN 55060-0448